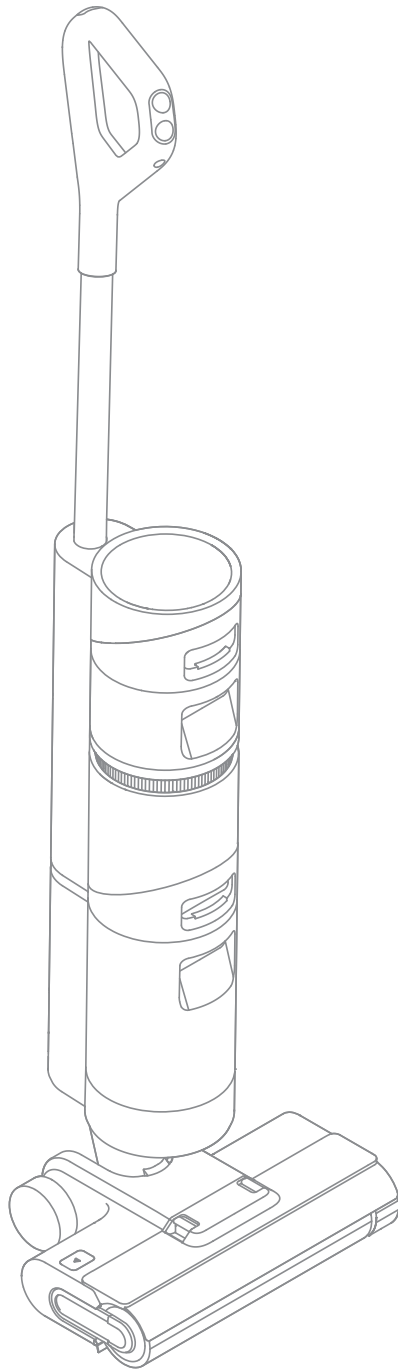


Dreame H11 Core

Wet and Dry Vacuum

User Manual



The illustrations in this manual are for reference only.
Please refer to the actual product.

DREAME

THANK YOU

FOR PURCHASING THIS DREAME
WET AND DRY VACUUM.

Registration Quick Start

Welcome to register a Dreame account by scanning the QR code. You are available for the **User Manual** and **Special Offers**.



The high-quality product is engineered for optimal performance. If you have any questions on the product, please contact us: aftersales@dreame.tech.

Contents

EN	User Manual	001
DE	Benutzerhandbuch	022
FR	Manuel d'utilisation	043
IT	Manuale utente	064
ES	Manual de usuario	085
RU	Руководство пользователя	106
NL	Gebruikershandleiding	128
TH	คู่มือการใช้งาน	149
VN	Hướng Dẫn Sử Dụng	170

Important Safety Instructions

Please read this manual carefully before use and retain it for future reference. When using an electrical appliance, basic precautions should always be followed, including the following:

READ ALL INSTRUCTIONS BEFORE USING (THIS APPLIANCE). Failure to follow the warnings and instructions may result in electric shock, fire and/or serious injury.

WARNING — To reduce the risk of fire, electric shock, or injury:

Usage Restrictions

- This appliance should not be used by children younger than 8 years old nor persons with physical, sensory, intellectual deficiencies, or limited experience or knowledge without the supervision of a parent or guardian to ensure safe operation and to avoid any risks. Cleaning and maintenance shall not be performed by children without supervision.
- Plastic film can be dangerous. To avoid the danger of suffocation, keep it away from children.
- Use indoors only, on non-carpeted floor surfaces such as vinyl, tile, sealed wood, etc. Be careful not to run over loose objects or the edges of area rugs. Stalling the brush may result in premature belt failure.
- Use only as described in this user guide. Use only manufacturer's recommended attachments.
- Do not expose the appliance to fire or excessive temperature. Exposure to fire or excessive temperature may cause an explosion.
- Do not use in extremely hot or cold environments (below 5°C/41°F or above 40°C/104°F). Please charge the appliance in temperature above 5°C/41°F and below 40°C/104°F).
- Do not immerse the appliance in liquid.
- Do not use to pick up flammable or combustible liquids, such as gasoline. Do not use in areas where flammable or combustible liquids may be present.
- Do not put any object into openings. Do not use the appliance when any opening is blocked. Keep free of dust, lint, hair, and anything that may inhibit air flow.
- Do not pick up toxic material (chlorine bleach, ammonia, drain cleaner, etc.). Do not pick up hard or sharp objects such as glass, nails, screws, coins, etc.
- Do not use the appliance in an enclosed space filled with vapor given off by oil-based paint, paint thinner, some moth-proofing substances, flammable dust, or other explosive or toxic vapour. Do not pick up anything that is burning or smoking, such as cigarettes, matches or hot ashes.
- Do not use the appliance without filters in place.
- Keep hair, loose clothing, fingers, and all parts of the body away from openings and moving parts of the appliance and its accessories.
- Keep ground cables away from the appliance when using it. A hazard may occur if the appliance runs over a supply cord.
- Use extra care when cleaning on stairs.
- Do not add any liquid other than the officially-approved cleaner.

Important Safety Instructions

Maintenance and Storage

- Prevent unintentional starting. Ensure the switch is in the OFF-position before picking up or carrying the appliance. Carrying the appliance with your finger on the switch or turning on the appliance may result in an accident.
- Ensure that the appliance is placed on a horizontal surface. Do not use the appliance at the same position if the appliance is equipped with a brush roller and the handle is not completely upright. Do not store the appliance in a place where it may freeze.
- Switch off and unplug the appliance when not in use, before cleaning, maintaining or servicing it, and before connecting or disconnecting it with a moving brush.
- Do not use an appliance that is damaged or modified. A damaged or modified appliance may exhibit unpredictable behavior resulting in fire, explosion, or risk of injury.
- Do not modify or attempt to repair the appliance except as indicated in the instructions for use and care.
- Do not use the appliance with a damaged attachment (eg: charging base, adapter, etc.). If the appliance or attachment has been dropped, damaged, left outdoors, dropped into water, or is not working as it should, never attempt to operate it. Please have it repaired at an authorized service center.
- Have servicing performed by a qualified repair person using only identical replacement parts. This will ensure that the safety of the appliance is maintained.

Battery and Charging

- For the purposes of recharging the battery, only use the detachable adapter provided with this appliance. Use only with <YLS0251B-E260090> adapter.
- Follow all charging instructions and do not charge the appliance outside of the temperature range specified in the battery as doing so increases the risk of fire.
- Keep ground cables away from the appliance when using it, because a hazard may occur if the appliance runs over a supply cord.
- Do not pull or carry adapter by cable, use cable as a handle, close door on cable, or pull cable around sharp edges or corners.
- This appliance contains batteries that can only be replaced by qualified technicians or after-sales service.
- The lithium-ion battery pack contains substances that are hazardous to the environment. Before disposing of the appliance, please first remove the battery pack, then discard, or recycle it in accordance with local laws and regulations of the country or region it is used in.
- The appliance must be disconnected from the power supply when removing the battery. Keep batteries out of the reach of children. Never put batteries in mouth. If swallowed, contact your physician or local poison control.
- Under abusive conditions, never contact the battery from which the liquid may be ejected. If contact accidentally occurs, rinse with water. If liquid contacts eyes, seek medical help immediately. Liquid ejected from the battery may cause irritation or burns.

Important Safety Instructions

Symbols



Read operator's manual



Detachable supply unit

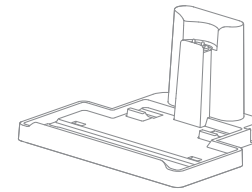


WEEE Information

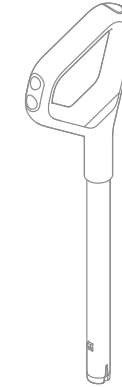
All products bearing this symbol are waste electrical and electronic equipment (WEEE as in directive 2012/19/EU) which should not be mixed with unsorted household waste. Instead, you should protect human health and the environment by handing over your waste equipment to a designated collection point for the recycling of waste electrical and electronic equipment, appointed by the government or local authorities. Correct disposal and recycling will help prevent potential negative consequences to the environment and human health. Please contact the installer or local authorities for more information about the location as well as terms and conditions of such collection points.

Product Overview

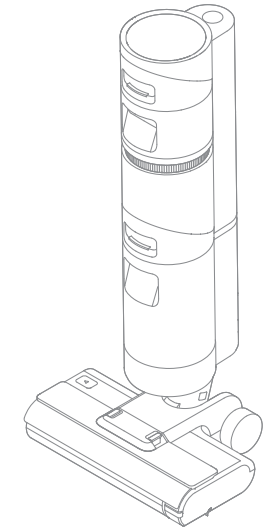
Packing List



Charging Base



Handle



Main Body



Cleaning Brush



Power Adapter

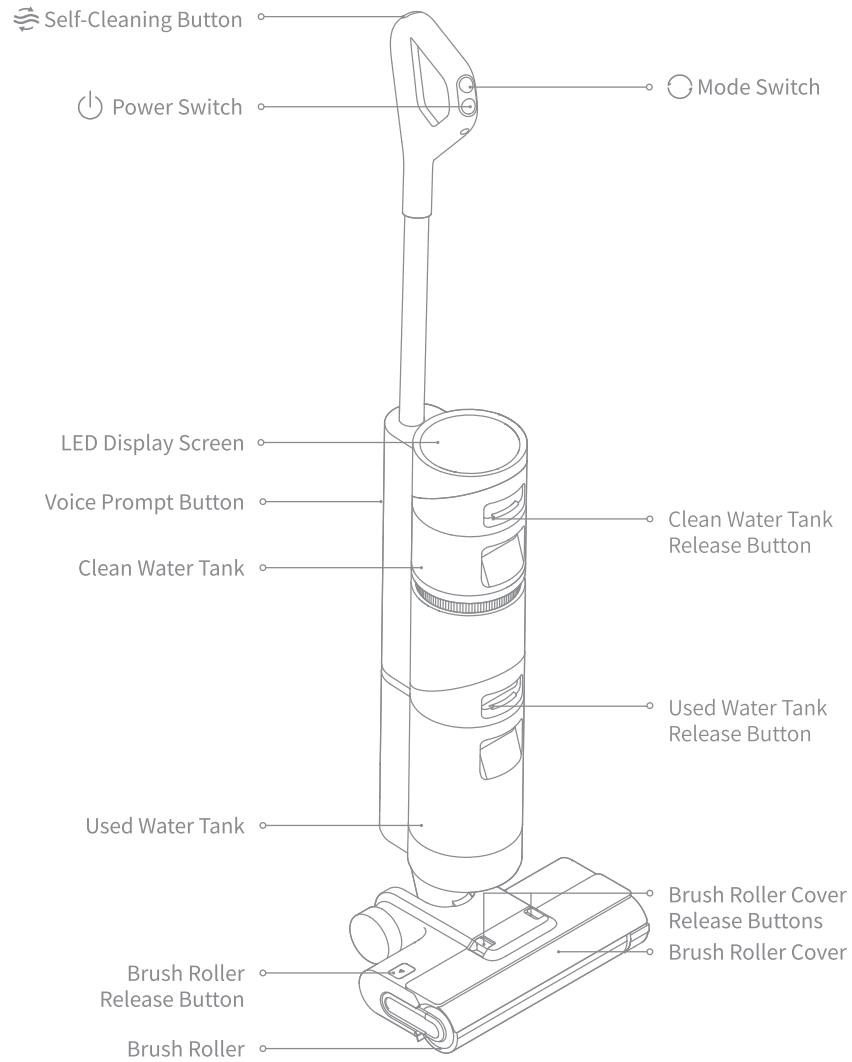
We, Dreame Trading (Tianjin) Co., Ltd., hereby declares that this equipment is in compliance with the applicable Directives, European Norms, and amendments. The full text of the EU declaration of conformity is available at the following internet address: <https://global.dreameotech.com>

For detailed e-manual, please go to <https://global.dreameotech.com/pages/user-manuals-and-faqs>

Note: The images in this manual are for illustrative purposes only. The actual product may differ.

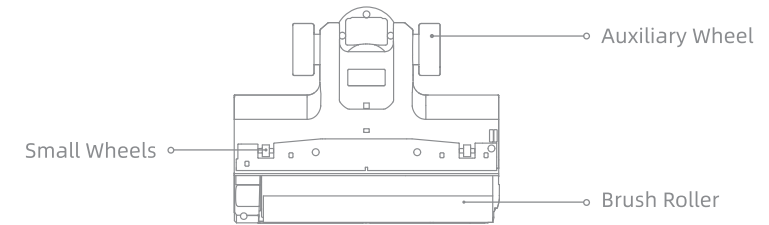
Product Overview

Vacuum

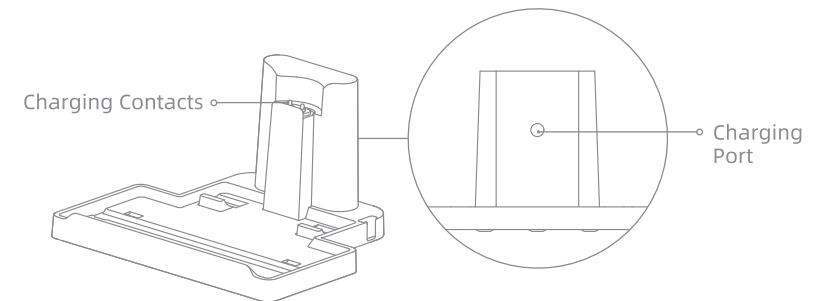


Product Overview

Roller Brush Assembly

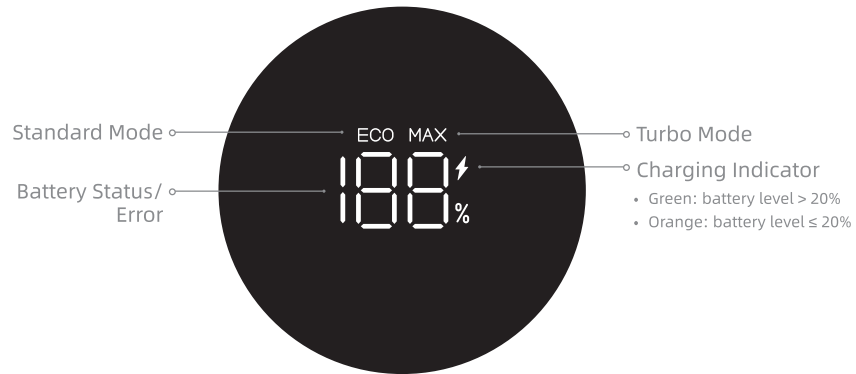


Charging Base

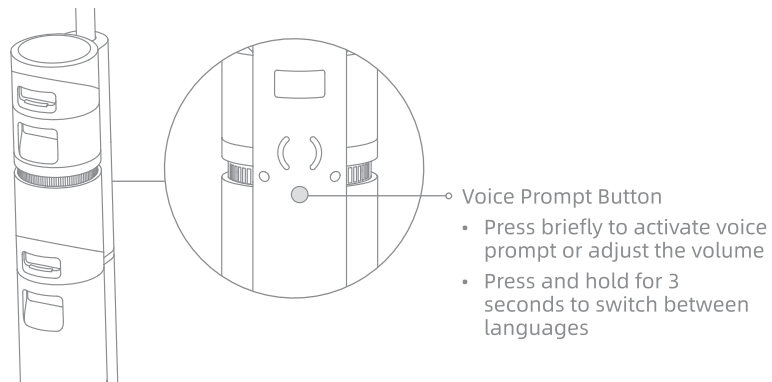


Product Overview

Display Screen



Voice Prompt Button

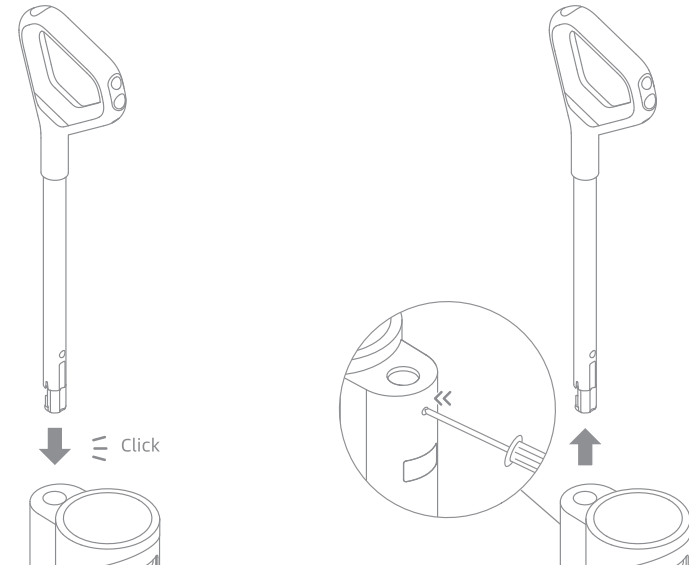


Installation

Installing the Handle

Insert the end of the handle vertically into the port on the top of the appliance as indicated until you hear a click.

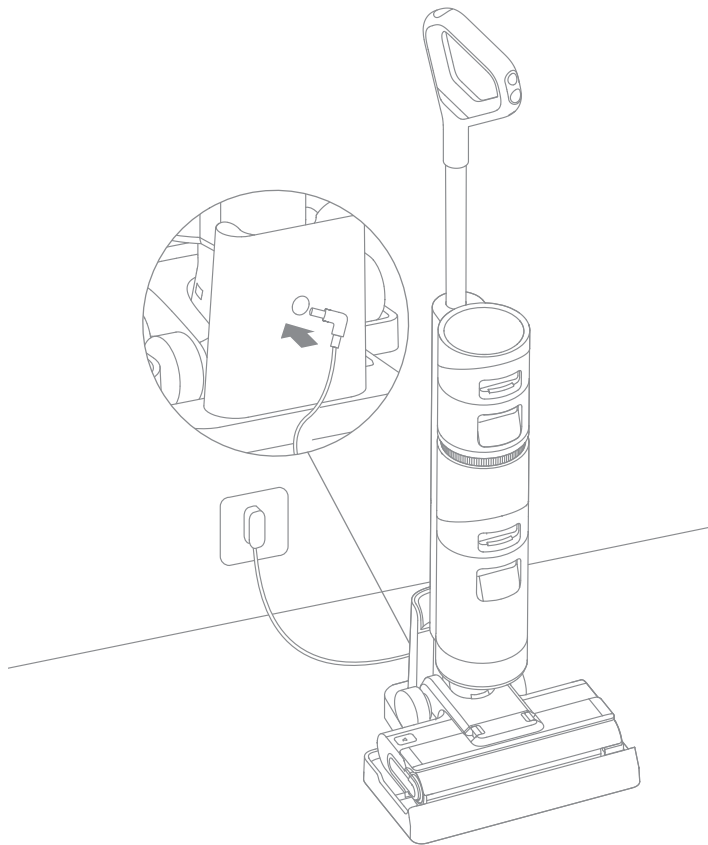
Note: To disassemble, extend a hard object into the hole on the back of the appliance to press in the contacts and pull the handle upwards at the same time.



Charging

Note: Fully charge the appliance before using it for the first time.

1. Place the charging base on the level ground against a wall. Connect one end of the power adapter to the charging base and another end to a home socket.
2. Place the appliance on the charging base, the ⚡ on the screen lights up to indicate the charging status. The number on the display screen represents the current battery level in a percentage during charging. When the number is at 100, the battery is fully charged.



Note:

- If there is no operation within 5 minutes of being fully charged, the vacuum will enter sleep mode. Please restart the appliance if you need to use it.
- To extend the battery life time, the battery keeps cooling down for about one hour automatically after you have used the appliance for a long time.

How to Use

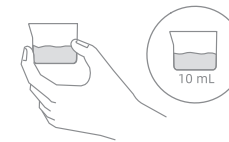
Filling the Clean Water Tank

Press the Clean Water Tank release button to remove the tank. Open the tank cover and fill the tank with clean water.



Adding Cleaning Fluid


For better cleaning performance, it is recommended to add 10 mL detergent with the bottle cap into the full Clean Water Tank, then shake gently and evenly for use.

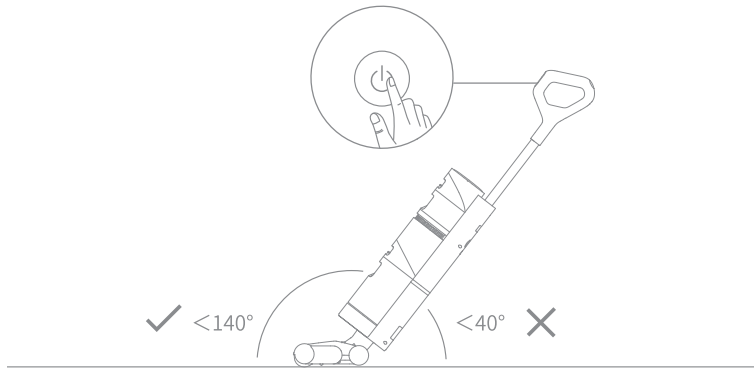


Note: Do not add any liquids other than the officially-approved cleaner. The cleaner can be available on the official online store.

How to Use

Starting Cleaning

Gently step on the brush cover and recline the appliance backwards. Press the power switch  to start/stop operating.

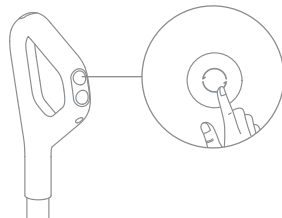


Note:

- Do not vacuum any foamy liquids.
- If the appliance is in the upright position while working, the current task will be suspended.
- The appliance is suitable for cleaning floors, marble, tiles and other hard surfaces.
- When the appliance is in operation, do not lift it off the ground, tilt it or recline the appliance backwards more than 140° . Doing so may cause the used water to flow into the motor.

Switching Modes

When the appliance is turned on, it defaults to the standard mode. You can switch to the turbo mode according to actual needs.



Care & Maintenance

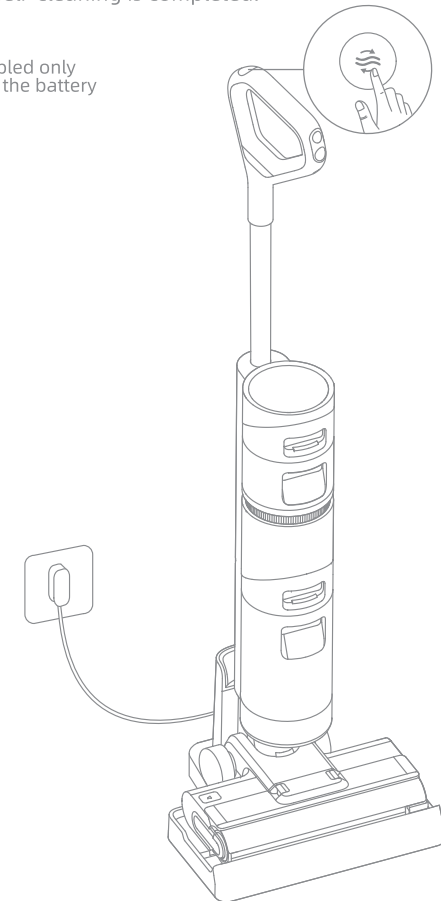
Tips:

- Turn off the appliance before maintenance. Do not touch the power switch.
- Replace parts if needed. The parts must be replaced by those available from the manufacturer or its service agent.
- If the appliance is not used for an extended period, fully charge it, unplug the power plug, and store the appliance in a cool, low-humidity environment away from direct sunlight. To avoid over-discharge of the battery, charge the appliance at least once every 3 months.

One-Click Self-Cleaning

1. Place the appliance back onto the base while you finish cleaning.
2. Briefly press the self-cleaning button on the top of the handle to start/stop self-cleaning.
3. Empty the Used Water Tank while self-cleaning is completed.

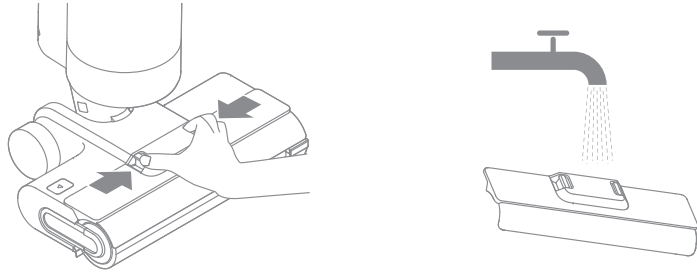
Note: The self-cleaning mode can be enabled only when the appliance is being charged and the battery level is more than 20%.



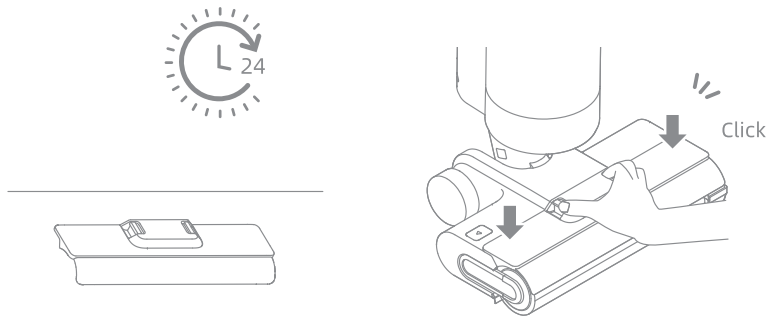
Care & Maintenance

Cleaning the Brush Cover

1. Press the brush roller cover release buttons inwards on both sides to remove the brush roller cover.



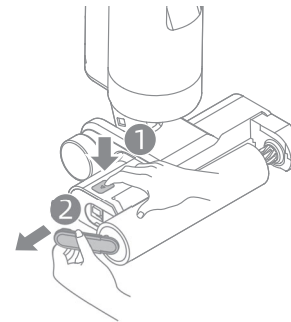
2. The brush cover can be rinsed with clean water or wiped with a dishcloth. Dry it completely before reuse.



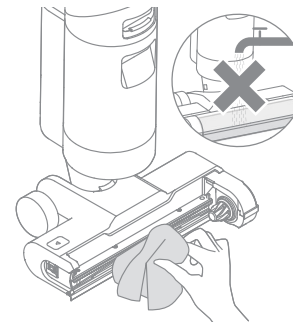
Care & Maintenance

Cleaning the Brush Roller

1. Press the brush roller release button and the handle of the brush roller will pop out. Pull the handle to take out the brush roller.



3. Wipe the suction inlet with a dry dishcloth or wet tissue.



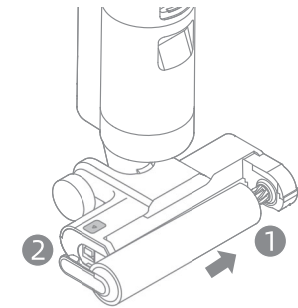
Warning: To reduce the risk of electric shock or injury, do not rinse the roller brush assembly with water!

Note: Clean as needed. Replacing the brush roller every 3 to 6 months is recommended.

2. Clear the hair and debris tangled on the brush roller. Rinse the brush roller with clean water and dry it completely.



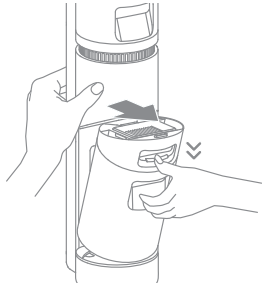
4. Re-install the brush roller. You should hear a click.



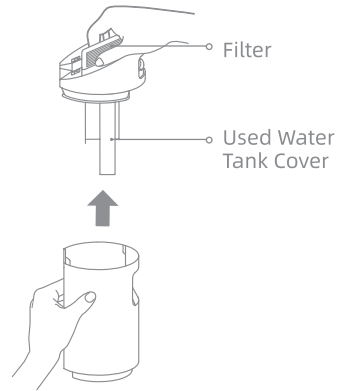
Care & Maintenance

Cleaning the Used Water Tank and the Filter

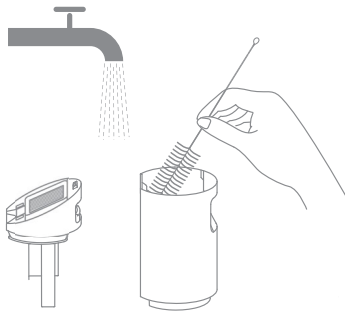
1. Press the Used Water Tank release button to remove the tank.



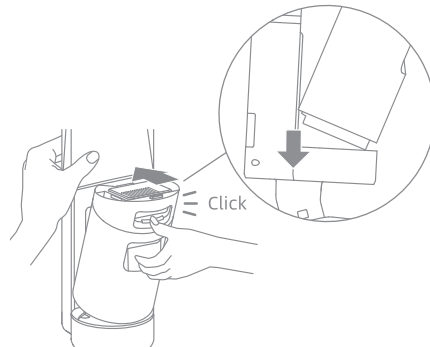
2. Take out the filter from the Used Water Tank cover. Remove the tank cover and pour out the used water.



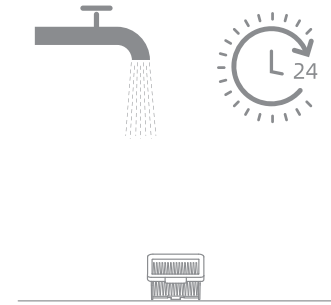
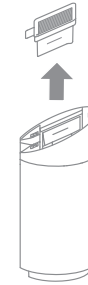
3. Rinse the Used Water Tank and the tank cover with clean water. Clean the tank by the provided cleaning brush.



4. Re-install the filter and the Used Water Tank cover. Then re-install the Used Water Tank until you hear a click.



Care & Maintenance

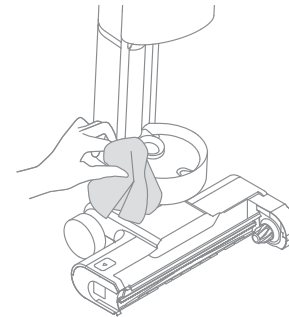


Note:

- When the filter is dirty and needs washing, rinse it with water. It must be completely dry before use.
- Replacing the filter every 3 to 6 months is recommended.

Cleaning the Tube

Remove the used water tank. Wipe the tube with a wet cloth before use.



Troubleshooting

Error	Possible Cause	Solution
The appliance does not work.	The appliance is out of battery or its battery level is low.	Fully charge its battery before use.
	The appliance is in the upright position.	Recline the appliance backwards.
	Blockage activated overheat protection mode.	Clear the blockage and wait until the temperature returns normal.
	The Used Water Tank is full.	Empty the Used Water Tank.
	The Clean Water Tank is empty.	Fill the Clean Water Tank with water.
	The parts are not installed in place.	Ensure all parts are all properly in place.
The appliance charges slowly.	The temperature of the battery is too low or too high.	Wait until the battery's temperature returns normal.
The suction power of the appliance is weak.	The filter is not installed in place.	Ensure the filter is installed in place.
	The filter is clogged.	Clean the filter.
	The suction inlet or tube is blocked by a foreign object.	Clean the tube and the suction inlet.
The motor is making a strange noise.	There is too much dirty water in the Used Water Tank.	Empty the Used Water Tank.
	The suction inlet is blocked.	Clear any blockage in the suction inlet.
The display screen does not light up while charging.	The power adapter plug is not inserted into the electrical outlet properly.	Make sure the power adapter plug is inserted in place.
	The appliance is not placed onto the charging base properly.	Make sure the appliance is placed onto the charging base properly.

Troubleshooting

Error	Possible Cause	Solution
No water is coming out of the appliance.	The Clean Water Tank is not properly installed in place, or the water in the Clean Water Tank is insufficient.	Re-install or fill the Clean Water Tank.
	It takes 30 seconds to dampen the brush roller.	Turn on the appliance and check again in 30 seconds.
The vent leaks water.	Lift the appliance off the ground, tilt it or recline the appliance backwards more than 140° .	Pull the appliance gently back and forth while it is turned on.
	The filter is not completely dry after being cleaned.	Dry the filter completely before use.
Self-cleaning fails.	The brush roller may be jammed by large debris.	Remove the brush roller cover to check and clean the brush roller.
	The appliance is not placed onto the charging base properly.	Make sure the appliance is being charged before enabling the self-cleaning function.
	Self-cleaning cannot be enabled if the battery level is lower than 20%.	The self-cleaning function can only be enabled when the appliance is being charged and the battery level is more than 20%.
	The Used Water Tank is not installed in place, or the Used Water Tank is full.	Re-install or empty the Used Water Tank.
	The Clean Water Tank is not installed in place, or the water in the Clean Water Tank is insufficient.	Fill or re-install the Clean Water Tank.

Error Prompts and Solutions

If the appliance is not working properly, the screen display will show an error message. Please refer to the below table to find your solution.

Error Code	Possible Cause	Solution
E1/EE/EF	Motor error	Please contact customer service.
E2/E3/E7/E8/E9	Battery error	Please contact customer service.
E4/E5	Incompatible power adapter	Please use the original power adapter. If the problem persists, contact customer service.
E6	Battery overheating	Wait until the battery's temperature returns normal.

For additional services, please contact us via aftersales@dreame.tech
Website: <https://global.dreame.tech>

Specifications

Vacuum			
Model	HHR21A	Charging Time	Approx. 4.5 hours
Rated Voltage	21.6 V ---	Charging Voltage	26 V ---
Rated Power	170 W	Rated Capacity	2300 mAh
Nominal Capacity	2500 mAh	Used Water Tank Capacity	500 mL
Clean Water Tank Capacity	900 mL		
Power Adapter			
Model	YLS0251B-E260090	Average Active Efficiency	87.28%
Input	100-240V \sim 50/60 Hz 0.8 A Max	Efficiency at Low Load (10%)	79.74%
Output	26 V --- 0.9 A	No-Load Power Consumption	0.08 W

Battery Disposal and Removal

The built-in lithium-ion battery contains substances that are hazardous to the environment. Before disposing of the battery, make sure the battery is removed by qualified technicians and discarded at an appropriate recycling facility.

- the battery must be removed from the appliance before it is scrapped;
- the appliance must be disconnected from the supply mains when removing the battery;
- the battery is to be disposed of safely.

CAUTION:

- Before removing the battery, disconnect the power and run out the battery as much as possible.
- Unneeded batteries should be discarded at an appropriate recycling facility.
- Do not expose to high temperature environment to avoid risks of explosion.
- Under abusive conditions, liquid may be ejected from the battery. If contact occurs, flush with water and seek medical help.

Removal Guide

1. Remove the handle, decorative ring in the middle of the appliance and screw plugs.
2. Use a proper tool to remove the screws on the back of the appliance, and then remove the back cover.
3. Remove the screws on the battery cover to open the battery cover.
4. Unplug the terminals between the battery and PCB board to remove the battery.

Wichtige Sicherheitshinweise

Bitte lesen Sie dieses Handbuch vor der Verwendung sorgfältig durch und bewahren Sie es zum späteren Nachschlagen auf.

Bei der Verwendung eines elektrischen Geräts sollten immer grundlegende Vorsichtsmaßnahmen beachtet werden, einschließlich der folgenden:

LESEN SIE ALLE ANWEISUNGEN, BEVOR SIE DIESES GERÄT VERWENDEN. Die Nichtbeachtung der Warnhinweise und Anweisungen kann zu einem elektrischen Schlag, Brand und/oder schweren Verletzungen führen.

WARNUNG – Um die Gefahr von Bränden, Stromschlägen oder Verletzungen zu verringern:

Nutzungsbeschränkungen

- Um einen sicheren Betrieb zu gewährleisten und Risiken zu vermeiden, darf dieses Produkt nicht von Kindern unter 8 Jahren, von Personen mit körperlichen, sensorischen oder geistigen Einschränkungen oder von Personen mit mangelnden Kenntnissen ohne Aufsicht eines Elternteils oder Vormunds verwendet werden. Kinder dürfen die Reinigung und Wartung nicht ohne Aufsicht durchführen.
- Kunststoffolie kann gefährlich sein. Um die Gefahr des Erstickens zu vermeiden, halten Sie sie von Kindern fern.
- Verwenden Sie das Gerät nur wie in dieser Bedienungsanleitung beschrieben. Verwenden Sie nur das vom Hersteller empfohlene Zubehör.
- Verwenden Sie das Gerät nur in Innenräumen, auf nicht mit Teppichboden versehenen Böden wie Vinyl, Fliesen, versiegeltem Holz usw. Achten Sie darauf, nicht über lose Gegenstände oder Kanten von Teppichen zu fahren. Ein Abwürgen der Bürste kann zu einem vorzeitigen Ausfall des Riemens führen.
- Setzen Sie das Gerät keinem Feuer oder übermäßigen Temperaturen aus. Die Exposition gegenüber Feuer oder übermäßige Temperatur kann eine Explosion verursachen.
- Nicht in extrem heißen oder kalten Umgebungen verwenden (unter 5°C/41°F oder über 40°C/104°F). Bitte laden Sie das Gerät bei Temperaturen über 5°C/41°F und unter 40°C/104°F auf.
- Tauchen Sie das Gerät nicht in Flüssigkeit.
- Dieses Gerät darf nicht verwendet, um brennbare oder leicht entzündliche Flüssigkeiten wie Benzin aufzunehmen. Dieses Gerät darf nicht in Bereichen verwendet werden, in denen brennbare oder leicht entzündliche Flüssigkeiten vorhanden sein können.
- Setzen Sie kein Objekt in die Öffnungen. Verwenden Sie das Gerät nicht, wenn die Öffnung blockiert ist. Halten Sie sich frei von Staub, Fusseln, Haaren und allem, was den Luftstrom behindern kann.
- Nehmen Sie kein giftiges Material auf (Chlorbleiche, Ammoniak, Abflussreiniger usw.). Heben Sie keine harten oder scharfen Gegenstände wie Glas, Nägel, Schrauben, Münzen usw. auf.
- Verwenden Sie das Gerät nicht in einem geschlossenen Raum, der mit Dämpfen gefüllt ist, die von ölhaltigen Farben, Farbverdünnern, einigen Mottenschutzmitteln, brennbarem Staub oder anderen explosiven oder giftigen Dämpfen abgegeben werden. Nehmen Sie keine brennenden oder rauchenden Gegenstände auf, wie z. B. Zigaretten, Streichhölzer oder heiße Asche.
- Verwenden Sie es nicht ohne eingesetzte Filter.
- Halten Sie Haare, lose Kleidung, Finger und alle Körperteile von den Öffnungen und beweglichen Teilen des Geräts und seines Zubehörs fern.

Wichtige Sicherheitshinweise

- Halten Sie Erdungskabel vom Gerät fern, da eine Gefahr auftreten kann, wenn das Gerät in Betrieb über ein Netzkabel läuft
- Gehen Sie bei der Reinigung auf Treppen besonders vorsichtig vor.
- Keine anderen Flüssigkeiten als den offiziell zugelassenen Reinigungsmittel hinzufügen.

Wartung und Lagerung

- Verhindern Sie ein unbeabsichtigtes Starten. Vergewissern Sie sich, dass der Schalter in der AUS-Stellung ist, bevor Sie das Gerät in die Hand nehmen oder tragen. Das Tragen des Geräts mit dem Finger auf dem Schalter oder auf dem stromführenden Gerät, das den Schalter eingeschaltet hat, trägt zu Unfällen bei.
- Stellen Sie sicher, dass das Gerät auf einer horizontalen Fläche steht. Verwenden Sie das Gerät nicht an der gleichen Stelle, wenn das Gerät mit einer Walzenbürste ausgestattet ist und der Griff nicht vollständig aufrecht steht. Lagern Sie das Gerät nicht an einem Ort, an dem es einfrieren kann.
- Schalten Sie das Gerät bei Nichtgebrauch vor dem Reinigen, Warten aus, oder bevor Sie es mit einer beweglichen Bürste anschließen oder trennen.
- Verwenden Sie kein Gerät, das beschädigt oder modifiziert ist. Beschädigte oder modifizierte Batterien können ein unvorhersehbares Verhalten zeigen, was zu Feuer, Explosion oder Verletzungsgefahr führen kann.
- Verändern Sie das Gerät nicht und versuchen Sie nicht, es zu reparieren, es sei denn, dies ist in der Gebrauchs- und Pflegeanleitung angegeben.
- Verwenden Sie das Gerät nicht mit einem beschädigten Aufsatz, z. B. Netzadapter usw. Wenn der Aufsatz beschädigt ist, muss es vom Hersteller, seinem Servicepartner oder ähnlichen qualifizierten Personen ersetzt werden, um Gefahren zu vermeiden.
- Lassen Sie die Wartung von einer qualifizierten Reparaturkraft durchführen, die nur identische Ersatzteile verwendet. Dadurch wird sichergestellt, dass die Sicherheit des Produkts erhalten bleibt.

Akku und Aufladen

- Zum Aufladen der Batterie verwenden Sie nur den mitgelieferten abnehmbaren Adapter. Nur mit Adapter <YL50251B-E260090> verwenden.
- Befolgen Sie alle Ladeanweisungen und laden Sie das Gerät nicht außerhalb des in der Batterie angegebenen Temperaturbereichs auf, da dies die Brandgefahr erhöht.
- Halten Sie Erdungskabel vom Gerät fern, da eine Gefahr auftreten kann, wenn das Gerät in Betrieb über ein Netzkabel läuft.
- Adapter nicht per Kabel ziehen oder trage, stattdessen ihn als Griff verwenden, Tür am Kabel schließen oder Kabel um scharfe Kanten oder Ecken ziehen.
- Dieses Produkt enthält Batterien, die nur durch qualifizierte Techniker oder Kundendienst ersetzt werden können.
- Der Lithium-On-Akku enthält umweltgefährdende Substanzen. Bevor Sie das Gerät entsorgen, entfernen Sie bitte zuerst den Batteriesatz, dann werfen Sie ihn oder recyceln Sie ihn gemäß den lokalen Gesetzen und Vorschriften des Landes oder der Region, in dem er verwendet wird.
- Das Gerät muss beim Entfernen der Batterie vom Netzteil getrennt werden. Wahren Sie die Batterien außerhalb der Reichweite von Kindern auf. Legen Sie niemals Batterien in den Mund. Wenn Sie verschluckt werden, wenden Sie sich an Ihren Arzt oder die örtliche Giftkontrolle.

Wichtige Sicherheitshinweise

- Kommen Sie unter missbräuchlichen Bedingungen niemals die Batterie in Berührung, aus der die Flüssigkeit ausgeworfen wird. Wenn die Berührung versehentlich auftritt, spülen Sie mit Wasser ab. Wenn die Flüssigkeit mit den Augen in Berührung kommt, suchen Sie sofort ärztliche Hilfe auf. Die aus der Batterie ausgestoßene Flüssigkeit kann Reizungen oder Verbrennungen verursachen.

Symbole



Bedienungsanleitung lesen



Abnehmbare Versorgungseinheit



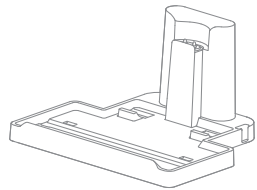
WEEE-Informationen

Alle mit diesem Symbol gekennzeichneten Produkte sind Elektroschrott und Elektrogeräte (WEEE entsprechend EU-Richtlinie 2012/19/EU) und dürfen nicht mit unsortiertem Haushaltsmüll vermischt werden. Schützen Sie stattdessen Ihre Mitmenschen und die Umwelt, indem Sie Ihre zu entsorgenden Geräte an eine dafür vorgesehene, von der Regierung oder einer lokalen Behörde eingerichtete Sammelstelle zum Recycling von Elektroschrott und Elektrogeräten bringen. Eine ordnungsgemäße Entsorgung und Recycling helfen, negative Auswirkungen auf die Gesundheit von Umwelt und Menschen zu vermeiden. Wenden Sie sich bitte an den Installateur oder lokale Behörden, um Informationen zum Standort und den allgemeinen Geschäftsbedingungen solcher Sammelstellen zu erhalten.

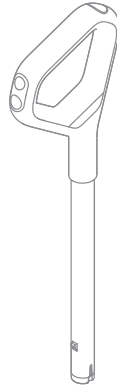
Wir, Dreame Trading (Tianjin) Co., Ltd., bestätigen hiermit, dass dieses Gerät mit dengeltenden Verordnungen und europäischen Normen sowie etwaigen Ergänzungen in Einklang steht. Der vollständige Wortlaut der EU-Konformitätserklärung ist unter der folgenden Internetadresse abrufbar: <https://global.dreametech.com>

Ein detailliertes elektronisches Handbuch finden Sie unter <https://global.dreametech.com/pages/user-manuals-and-faqs>

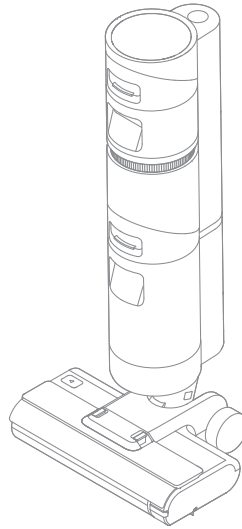
Packliste



Ladestation



Handgriff



Hauptkörper



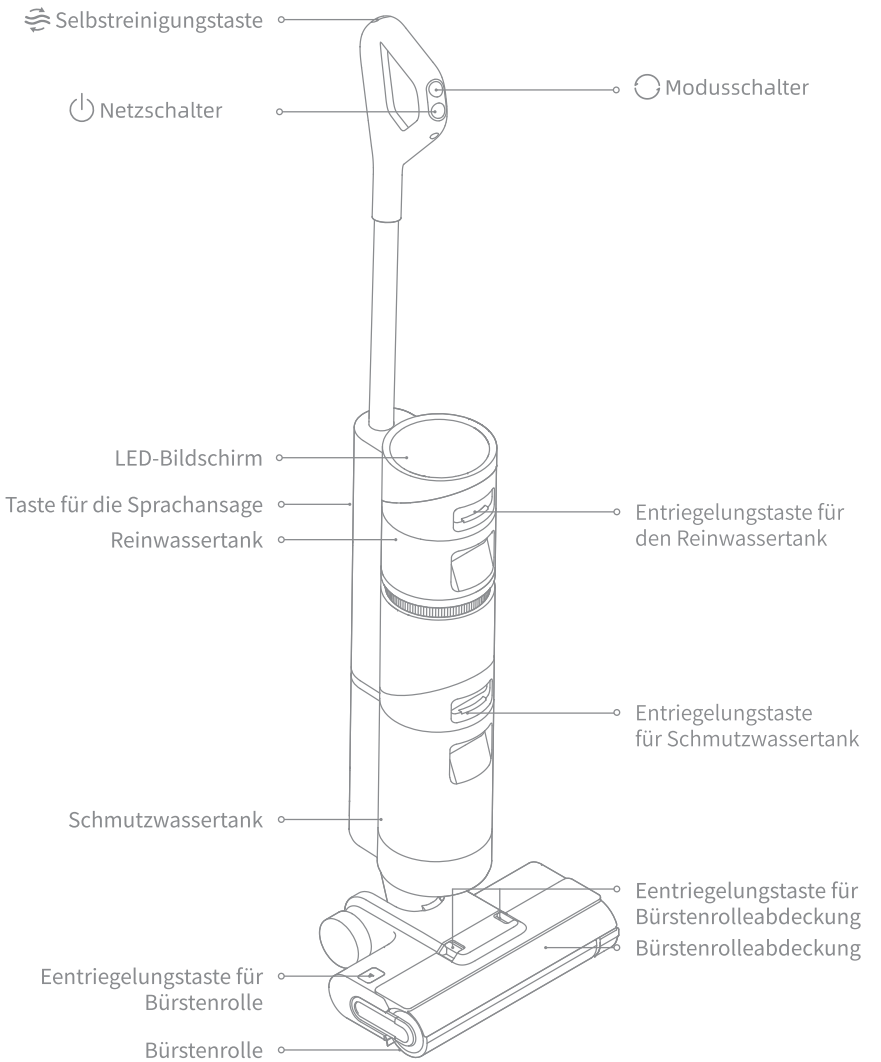
Reinigungsbürste



Netzadapter

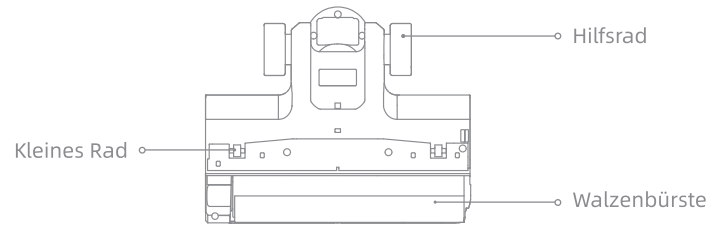
Hinweis: Die Bilder in diesem Handbuch dienen nur zur Veranschaulichung. Das tatsächliche Produkt kann abweichen.

Nass- & Trockensauger

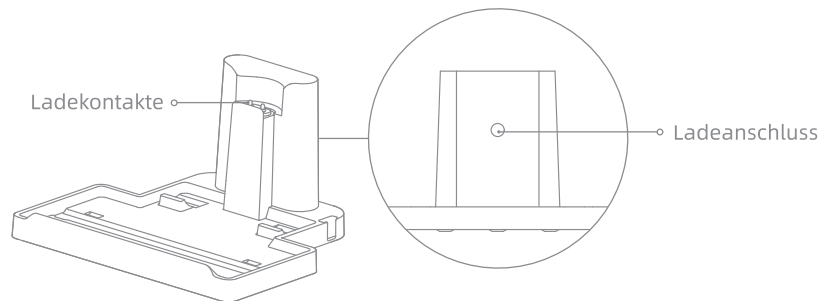


Produktübersicht

Walzenbürstenbaugruppe

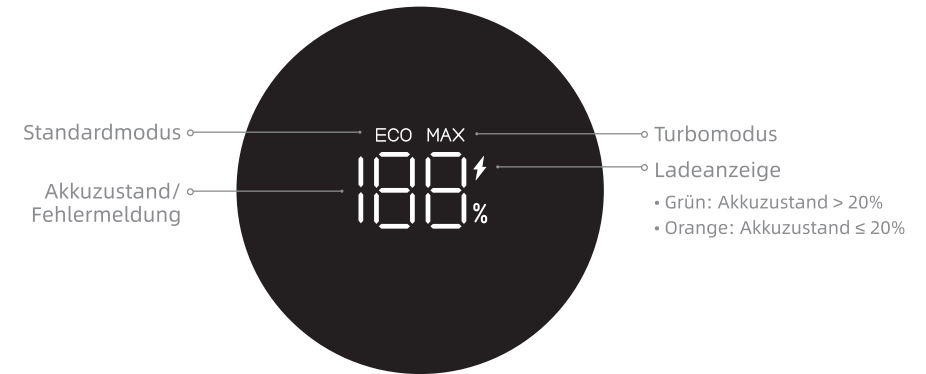


Ladestation

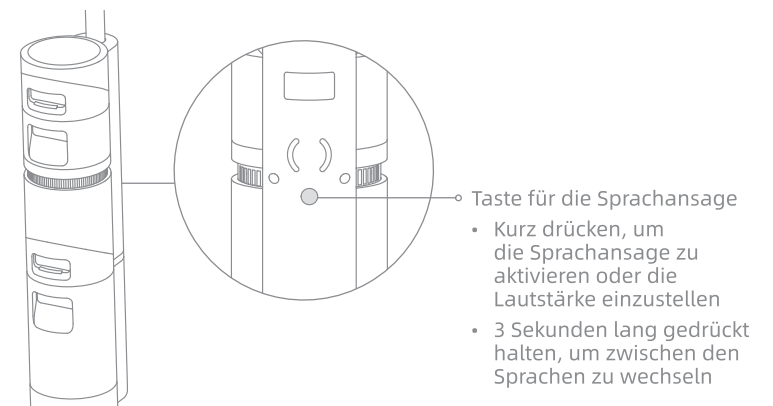


Produktübersicht

Bildschirm



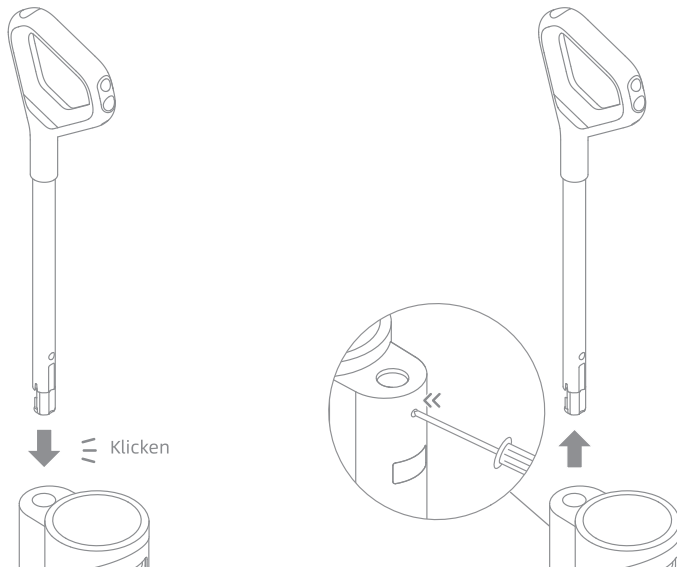
Taste für die Sprachansage



Installieren des Griffs

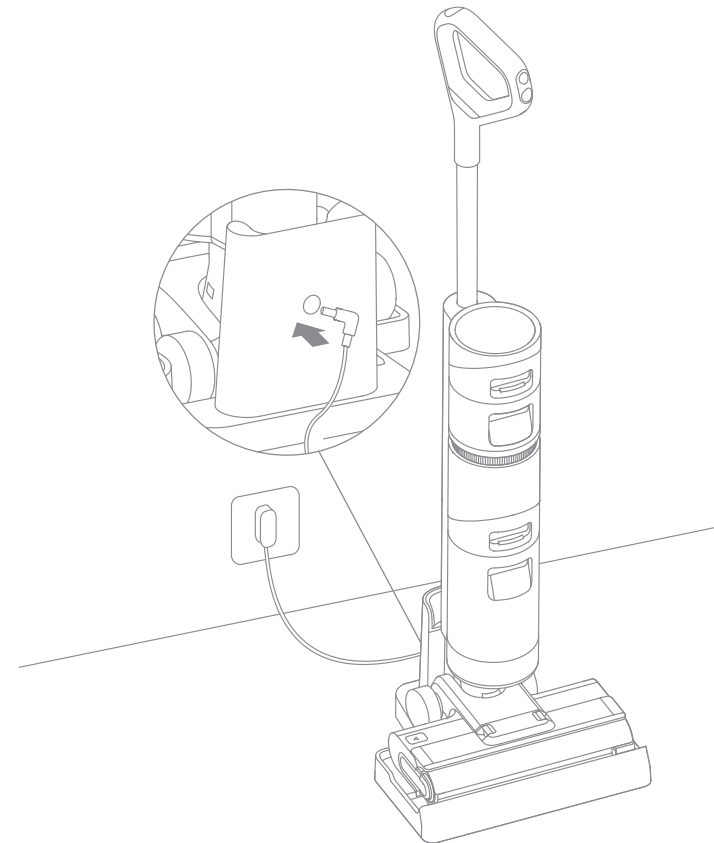
Fügen Sie das Ende der Griffbaugruppe senkrecht in die Öffnung auf der Oberseite des Geräts ein, wie angegeben, Sie werden ein Einrasten spüren.

Hinweis: Um den Griff zu demontieren, verwenden Sie bitte einen harten Gegenstand, um in das Loch auf der Rückseite des Geräts zu greifen, um den Kontakt zu drücken, und ziehen Sie gleichzeitig den Griff nach oben.



Hinweis: Laden Sie das Gerät vor dem ersten Gebrauch vollständig auf.

1. Stellen Sie die Ladestation auf dem ebenen Boden an eine Wand. Schließen Sie ein Ende des Netzadapters an die Ladestation und ein anderes Ende an eine Steckdose an.
2. Stellen Sie das Gerät auf die Ladestation, das ⚡ auf dem Bildschirm leuchtet auf, um den Ladestatus anzuzeigen. Die Zahl auf dem Bildschirm stellt den aktuellen Akkustand in Prozent während des Ladevorgangs dar. Wenn die Zahl auf 100 steht, ist der Akku vollständig geladen.



Hinweis:

- Wenn innerhalb von 5 Minuten nach dem vollständigen Aufladen kein Betrieb erfolgt, wechselt das Vakuum in den Schlafmodus. Bitte starten Sie das Gerät neu, wenn Sie es verwenden müssen.
- Um die Akkulaufzeit zu verlängern, kühlt der Akku nach längerer Benutzung des Gerätes automatisch etwa eine Stunde lang ab.

Verwendung

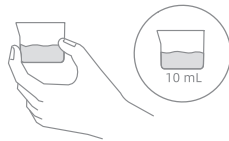
Befüllen den Reinwassertank

Drücken Sie die Eentriegelungstaste, um den Tank zu entfernen. Öffnen Sie den Tankdeckel und füllen Sie den Tank mit sauberem Wasser.



Hinzufügen von Reinigungsflüssigkeit


Um eine bessere Reinigungsleistung zu erzielen, wird empfohlen, 10 mL Reinigungsmittel mit dem Flaschendeckel in den vollen Frischwasserbehälter zu geben und dann zur Verwendung leicht und gleichmäßig zu schütteln.

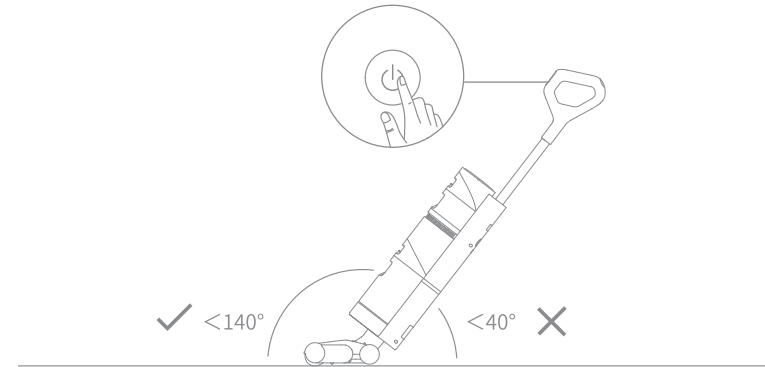


Hinweis: Fügen Sie keine anderen Flüssigkeiten als das offiziell zugelassene Reinigungsmittel hinzu. Der Reiniger kann im offiziellen Online-Shop erworben werden.

Verwendung

Start der Reinigung

Treten Sie vorsichtig auf die Bürstenabdeckung und stellen Sie das Gerät nach hinten. Drücken Sie den Netzschalter , um den Betrieb zu starten/beenden.

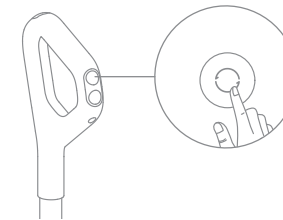


Hinweis:

- Verwenden Sie es nicht, um schäumende Flüssigkeiten zu saugen.
- Wenn sich das Gerät während der Arbeit in aufrechter Position befindet, wird die aktuelle Aufgabe unterbrochen.
- Das Gerät eignet sich zur Reinigung von Böden, Marmor, Fliesen und anderen harten Oberflächen.
- Das Gerät darf während des Betriebs nicht vom Boden angehoben, gekippt oder um mehr als 140° nach hinten geneigt werden. Andernfalls kann das Schmutzwasser in den Motor gelangen.

Wechseln des Modus

Beim Einschalten des Geräts schaltet es standardmäßig in den Standardmodus. Sie können je nach Bedarf auf den Turbomodus umschalten.



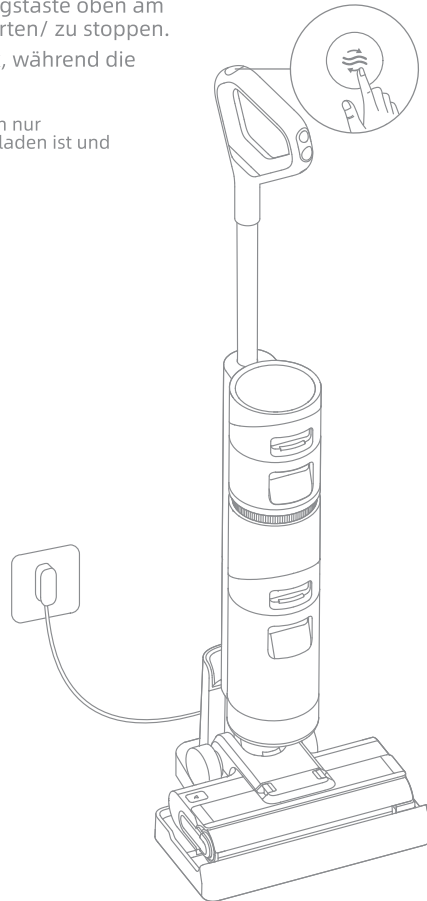
Tipps:

- Schalten Sie das Gerät vor der Wartung aus. Berühren Sie den Netzschalter nicht.
- Teile müssen bei Bedarf ausgetauscht werden, bitte verwenden Sie die vom Originalwerk vorgesehenen Teile, um Schäden am Produkt aufgrund von Ungeeignetheit zu vermeiden.
- Wenn das Gerät längere Zeit nicht verwendet wird, laden Sie es vollständig auf, ziehen Sie den Netzstecker ab und lagern Sie das Gerät in einer kühlen Umgebung mit geringer Luftfeuchtigkeit, fern von direkter Sonneneinstrahlung. Um das übermäßige Entladen des Akkus zu vermeiden, laden Sie das Gerät mindestens alle 3 Monate auf.

Ein-Klick-Selbstreinigung

1. Stellen Sie das Gerät während der Reinigung wieder auf den Boden.
2. Drücken Sie kurz die Selbstreinigungstaste oben am Griff, um die Selbstreinigung zu starten/ zu stoppen.
3. Leeren Sie den Schmutzwassertank, während die Selbstreinigung abgeschlossen ist.

Hinweis: Die Selbstreinigungsfunktion kann nur aktiviert werden, wenn das Gerät beim aufladen ist und der Batteriestand mehr als 20% beträgt.

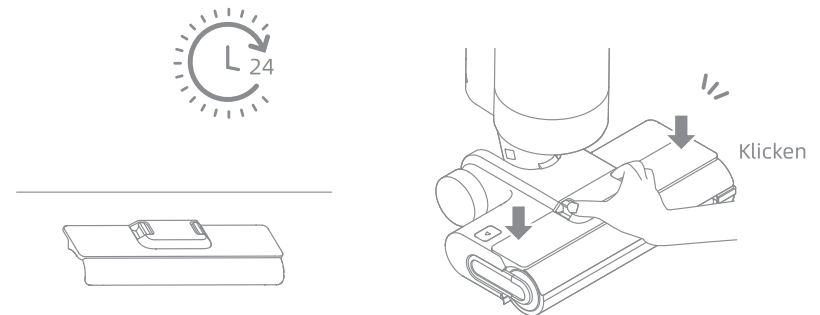


Reinigung der Bürstenabdeckung

1. Drücken Sie die Entriegelungstasten der Bürstenrollenabdeckung auf beiden Seiten nach innen, um die Bürstenrollenabdeckung zu entfernen.

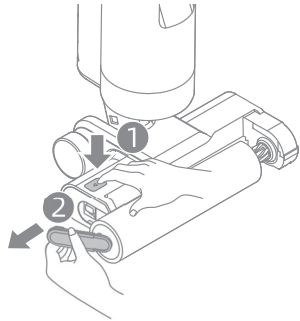


2. Die Bürstenabdeckung kann mit sauberem Wasser gespült oder mit einem Geschirrtuch abgewischt werden. Trocknen Sie sie vollständig vor der Wiederverwendung.



Reinigung der Bürstenrolle

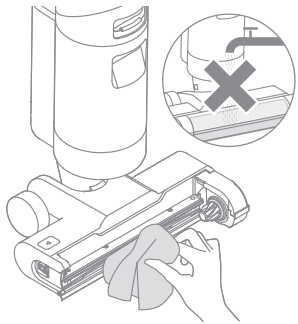
1. Drücken Sie die Entriegelungstaste für Bürstenrolle und der Griff der Bürstenrolle springt heraus. Ziehen Sie den Griff, um die Bürstenrolle herauszunehmen.



2. Befreien Sie die Bürstenwalze von verhedderten Haaren und Verunreinigungen. Spülen Sie die Bürstenwalze mit frischem Wasser aus und trocknen Sie sie vollständig ab.



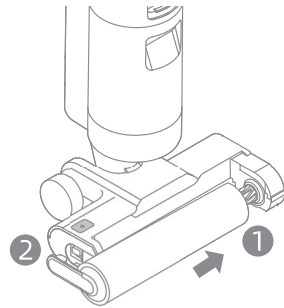
3. Wischen Sie die Saugöffnung mit einem trockenen Tuch oder nassem Gewebe ab.



Warnung: Bitte spülen Sie die Walzenbürstenbaugruppe nicht mit Wasser ab, um das Risiko von Stromschlag oder Verletzungen zu reduzieren!

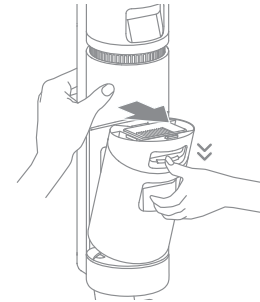
Hinweis: Reinigen Sie die Bürstenwalze nach Bedarf. Es wird empfohlen, die Bürstenwalze alle 3 bis 6 Monate auszutauschen.

4. Installieren Sie die Bürstenrolle erneut, bis Sie ein Klicken hören.

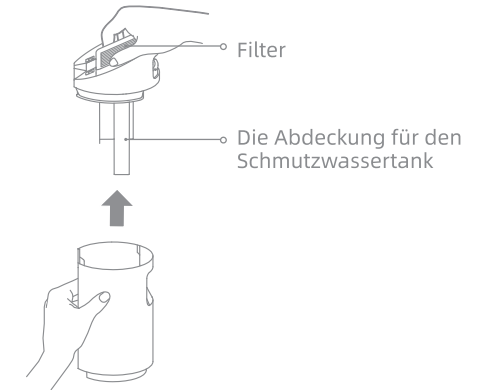


Den Schmutzwassertank und Filter reinigen

1. Drücken Sie die Schmutzwassertank-Entriegelungstaste und nehmen Sie den Schmutzwassertank heraus.



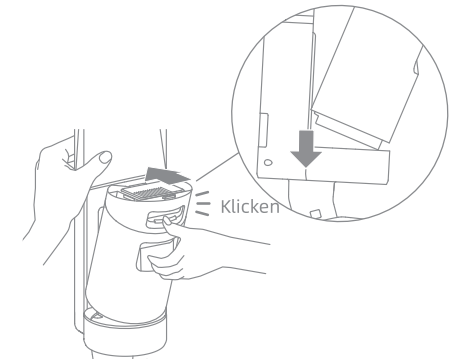
2. Nehmen Sie den Filter aus dem Deckel des Schmutzwassertanks heraus. Entfernen Sie den Tankdeckel und gießen Sie das Schmutzwasser aus.

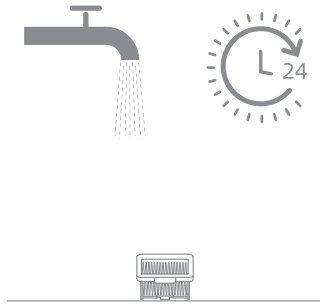
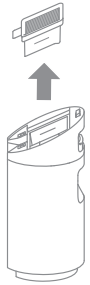


3. Den Schmutzwassertank und dessen Abdeckung mit sauberem Wasser abspülen. Innenwand des Tanks mit der mitgelieferten Reinigungsbürste reinigen.



4. Schließen Sie den Abdeckel des Schmutzwassertanks, installieren Sie Schmutzwassertank erneut und stellen Sie sicher, dass der Tank einrastet.



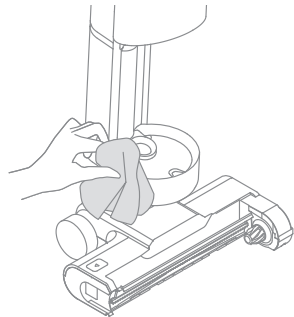


Hinweis:

- Wenn der Filter verschmutzt ist und gewaschen werden muss, spülen Sie ihn mit Wasser. Er muss vor Gebrauch vollständig trocken sein.
- Es wird empfohlen, den Filter alle 3 bis 6 Monate auszutauschen.

Reinigung des Schlauches

Nehmen Sie den Schmutzwassertank heraus. Wischen Sie den Schlauch vor dem Gebrauch mit einem feuchten Tuch ab.



Fehler	Mögliche Ursache	Lösung
Das Gerät funktioniert nicht.	Der Akku des Geräts ist leer oder der Akkustand ist niedrig.	Laden Sie den Akku vor dem Gebrauch vollständig auf.
	Der Akku des Geräts ist leer oder der Akkustand ist niedrig.	Stellen Sie das Gerät nach hinten.
	Blockierung aktiviert Überhitzungsschutz Modus.	Beseitigen Sie die Verstopfung und warten Sie, bis die Temperatur wieder normal ist.
	Der Schmutzwassertank ist voll.	Den Schmutzwassertank leeren.
	Der Reinwassertank ist leer.	Füllen Sie den Reinwassertank mit sauberem Wasser.
	Die Teile sind nicht richtig installiert.	Vergewissern Sie sich, dass alle Teile richtig eingesetzt sind.
Das Gerät wird langsam aufgeladen	Die Temperatur des Akkus ist zu niedrig oder zu hoch.	Warten Sie, bis die Batterietemperatur wieder normal ist.
Die Saugleistung des Gerätes ist niedrig.	Der Filter ist nicht installiert.	Stellen Sie sicher, dass der Filter installiert ist.
	Der Filter ist verstopft.	Den Filter reinigen.
	Der Saugeinlass oder das Rohr wird durch einen Fremdkörper blockiert.	Reinigen Sie das Rohr und die Saugöffnung.
Der Motor macht ein seltsames Geräusch.	Es gibt zu viel Schmutzwasser im Schmutzwassertank.	Den Schmutzwassertank leeren.
	Die Hauptaugöffnung ist blockiert.	Beseitigen Sie eventuelle Verstopfungen in der Hauptaugöffnung.
Die Akkustatusanzeige leuchtet während des Ladevorgangs nicht.	Der Netzadapterstecker ist nicht richtig in die Steckdose eingesteckt.	Vergewissern Sie sich, dass der Netzadapterstecker richtig eingesteckt ist.
	Das Gerät wird nicht richtig an die Ladestation angeschlossen.	Stellen Sie sicher, dass das Gerät richtig auf der Ladestation platziert ist.

Fehler	Mögliche Ursache	Lösung
Es kommt kein Wasser aus dem Gerät.	Der Reinwassertank ist nicht an seinem Platz installiert oder der Reinwassertank ist leer.	Bauen Sie den Reinwassertank wieder ein oder füllen Sie ihn.
	Es dauert 30 Sekunden, um die Bürsterolle zu befeuchten.	Schalten Sie das Gerät ein und überprüfen Sie es in 30 Sekunden erneut.
Wasseraustritt an der Oberseite des Schmutzwassertanks.	Das Gerät vom Boden abheben, es kippen oder um mehr als 140° nach hinten neigen.	Bewegen Sie das Gerät bei eingeschaltetem Zustand vorsichtig hin und her.
	Der Filter ist nach der Reinigung nicht vollständig trocken.	Den Filter vor Gebrauch gründlich abtrocknen.
Selbstreinigung ist fehlgeschlagen.	Ein Gegenstand verklemmt sich in der Bürstenrolle.	Öffnen Sie die Bürstenrolleabdeckung, um die Bürstenrolle zu überprüfen und zu reinigen.
	Das Gerät wird nicht richtig an die Ladestation angeschlossen.	Stellen Sie sicher, dass das Gerät beim Aufladen ist, bevor Sie die Selbstreinigungsfunktion aktivieren.
	Die Selbstreinigungsfunktion kann nur aktiviert werden, wenn das Gerät geladen ist und der Akkustand mehr als 20% beträgt.	Die Selbstreinigungsfunktion kann nur aktiviert werden, wenn das Gerät geladen ist und der Akkustand mehr als 20% beträgt.
	Der Schmutzwassertank ist nicht installiert oder der Schmutzwassertank ist voll.	Installieren oder leeren Sie den Schmutzwassertank.
	Der Reinwassertank ist nicht an seinem Platz installiert oder der Reinwassertank ist leer.	Bauen Sie den Reinwassertank wieder ein oder füllen Sie ihn.

Wenn irgendein Fehler bei der Verwendung des Produkts auftritt, wird der Bildschirm eine Fehlermeldung ausgeben. Sie sollten den Anweisungen auf dem Bildschirm folgen, um die normale Leistung sicherzustellen.

Fehlercode	Mögliche Ursache	Lösungen
E1/EE/EF	Motorfehler	Bitte kontaktieren Sie den Kundenservice.
E2/E3/E7/E8/E9	Batteriesusfall	Bitte kontaktieren Sie den Kundenservice.
E4/E5	Netzadapter inkompatibel	Bitte verwenden Sie den Original-Netzadapter, oder wenden Sie sich an den Kundendienst.
E6	Überhitzung von Batterie	Warten Sie, bis die Batterietemperatur wieder normal ist.

Für weitere Dienstleistungen kontaktieren Sie uns bitte über aftersales@dreame.tech
<https://global.dreametech.com>

Nass- & Trockensauger			
Modell	HHR21A	Ladezeit	Ca. 4,5 Stunden
Nennspannung	21,6 V ===	Ladespannung	26 V ===
Nennleistung	170 W	Sollkapazität	2300 mAh
Nennkapazität	2500 mAh	Kapazität des Schmutzwassertank	500 mL
Kapazität des Reinwassertank	900 mL		
Netzadapter			
Modell	YLS0251B-E260090	Durchschnittliche Aktive Effizienz	87,28%
Eingabe	100-240 V ~ 50/60 Hz 0,8 A Max	Effizienz bei Geringer Belastung (10%)	79,74%
Ausgabe	26 V === 0,9 A	Lastloser Stromverbrauch	0,08 W

Entsorgung und Entfernung von Batterien

Die eingebaute Lithium-Ionen-Batterie enthält umweltgefährdende Substanzen. Stellen Sie vor der Entsorgung der Batterie sicher, dass die Batterie von qualifizierten Technikern entfernt und in einer geeigneten Recyclinganlage entsorgt wird.

- die Batterie muss vor dem Verschrotten aus dem Gerät entfernt werden;
- das Gerät muss beim Ausbau der Batterie vom Netz getrennt werden;
- die Batterie muss sicher entsorgt werden.

ACHTUNG:

- Bevor Sie den Akku entfernen, trennen Sie die Stromversorgung und lassen Sie den Akku komplett leer laufen.
- Nicht benötigte Batterien sollten in einer geeigneten Recyclinganlage entsorgt werden.
- Lassen Sie den Akku nicht in einer Umgebung mit extrem hohen Temperaturen, um Explosionsrisiken zu vermeiden.
- Unter missbräuchlicher Verwendung kann Flüssigkeit aus der Batterie ausgestoßen werden. Wenn Sie aus Versehen anfassen, spülen Sie mit Wasser und suchen Sie medizinische Hilfe.

Anleitung zum Entfernen

1. Entfernen Sie den Griff, den Zierring und die Schraubverschlüsse in der Mitte des Geräts.
2. Entfernen Sie die Schrauben auf der Rückseite des Geräts mit einem geeigneten Werkzeug und entfernen Sie dann die hintere Abdeckung.
3. Entfernen Sie die Schrauben am Batteriefachdeckel, um den Batteriefachdeckel zu öffnen.
4. Ziehen Sie die Klemmen zwischen der Batterie und der Leiterplatte ab, um die Batterie zu entfernen.

Entsorgung von Elektro- und Elektronikgeräten



Die durchgestrichene Mülltonne bedeutet, dass Sie gesetzlich verpflichtet sind, diese Geräte einer vom unsortierten Siedlungsabfall getrennten Erfassung zuzuführen. Die Entsorgung über die Restmülltonne oder die gelbe Tonne ist untersagt. Enthalten die Produkte Batterien oder Akkus, die nicht fest verbaut sind, müssen diese vor der Entsorgung entnommen und getrennt als Batterie entsorgt werden.

Möglichkeiten der Rückgabe von Altgeräten

Besitzer von Altgeräten können diese im Rahmen der durch öffentlich-rechtlichen Entsorgungsträger eingerichteten und zur Verfügung stehenden Möglichkeiten der Rückgabe oder Sammlung von Altgeräten abgeben, damit eine ordnungsgemäße Entsorgung der Altgeräte sichergestellt ist. Unter dem folgenden Link besteht die Möglichkeit, sich ein Onlineverzeichnis der Sammel- und Rücknahmestellen anzuzeigen zu lassen: <https://www.ear-system.de/ear-verzeichnis/sammel-und-ruecknahmestellen>.

Datenschutz

Wir weisen alle Endnutzer von Elektro- und Elektronikaltgeräten darauf hin, dass Sie für das Löschen personenbezogener Daten auf den zu entsorgenden Altgeräten selbst verantwortlich sind.

- The word "dreame" is the abbreviation of Dreame Technology Co., Ltd. and its subsidiaries in China. It is the transliteration of the company's Chinese name " 追觅 ", which means striving for excellence in every endeavor and reflects the company's vision of continuous pursuit, exploration and search in technology.
- Das Wort "dreame" ist die Abkürzung von Dreame Technology Co., Ltd. und seinen Tochterunternehmen in China. Es ist die Transliteration des chinesischen Namens " 追觅 " dieser Firma, was für das Streben nach Vollendung steht und die Vision des Unternehmens widerspiegelt, nämlich im Bereich der Technologie unaufhaltsam weiterzustreben, zu erforschen und entdecken.
- Dreame est l'abréviation de l'entreprise chinoise Dreame Technology Co., Ltd. et ses filiales, qui est la traduction phonétique du nom chinois de l'entreprise « 追觅 », reflétant la vision de l'entreprise qui consiste à poursuivre, explorer et rechercher constamment les avancées technologiques.
- La parola "dreame" è l'abbreviazione dell'azienda Dreame Technology Co., Ltd. e delle sue filiali in Cina. È la traslitterazione del nome cinese dell'azienda " 追觅 ", che dimostra la continua ricerca, esplorazione e visione di ricerca dell'azienda nella tecnologia.
- La palabra "dreame" es la abreviatura de Dreame Technology Co., Ltd. y sus subsidiarias en China. Es la transliteración del nombre chino de " 追觅 ", que significa luchar por la excelencia en cada esfuerzo y refleja la visión de la compañía de continuamente buscar, explorar e investigar en tecnologías.
- Dreame — сокращённое название китайской компании Dreame Technology Co., Ltd. и ее дочерних предприятий. Dreame является транслитерацией названия компании на китайском языке « 追觅 », в котором отражено корпоративное видение компании в сфере науки и технологий — непрерывный поиск, исследования и стремление к успеху.
- Het woord "dreame" is de afkorting van Dreame Technology Co., Ltd. en zijn dochterondernemingen in China. Het is de transliteratie van de Chinese naam van het bedrijf " 追觅 ", wat betekent streven naar uitmuntendheid in elke inspanning en weerspiegelt de visie van het bedrijf van continu streven, verkennen en zoeken in technologie.
- Dreame -қытайлық Dreame Technology Co., Ltd. компаниясының қысқартылған атауы және оның еншілес кәсіпорындары болып табылады. Dreame бұл қытай тіліндегі компания атауының транслитерациясы, онда компанияның ғылым мен технология саласындағы корпоративтік көзқарасы –үздіксіз іздеу, зерттеу және табысқа ұмтылу бейнеленген.
- คำว่า "dreame" เป็นชื่อย่อของ Dreame Technology Co., Ltd. และบริษัทย่อยในประเทศจีน เป็นคำทับศัพท์ของ " 追觅 " ชื่อภาษาจีนของบริษัท ซึ่งหมายถึงมีความพยายามมุ่งมั่นเพื่อสร้างความเป็นเลิศ และสะท้อนให้เห็นถึงวิสัยทัศน์ของบริษัทในการแสวงหา การพัฒนา และการค้นคว้าทางด้านเทคโนโลยีอย่างต่อเนื่อง
- Dreame" là từ viết tắt của Dreame Technology Co., Ltd. và các công ty con của nó tại Trung Quốc. Đây là phiên âm từ tên tiếng Trung của công ty " 追觅 ", với ý nghĩa luôn nỗ lực để đạt được sự xuất sắc, đồng thời phản ánh tầm nhìn của công ty về việc không ngừng theo đuổi, khám phá và tìm kiếm trong lĩnh vực công nghệ.



Website: <https://global.dreametech.com>
 Manufactured by: Dreame Trading (Tianjin) Co., Ltd.
 Made in China

02/2023

HHR21A-EU-A00

