



## OneShred 8CC

<b>EN</b>	Shredder	<b>NL</b>	Papierversnipperaar
<b>DE</b>	Aktenvernichter	<b>NO</b>	Makuleringsmaskin
<b>BG</b>	Шредер	<b>PL</b>	Niszczarka do dokumentów
<b>CS</b>	Skartovač	<b>PT</b>	Destruidor de documentos
<b>DA</b>	Makulator	<b>RO</b>	Distrugător de documente
<b>ES</b>	Destructor de documentos	<b>RU</b>	Шредер
<b>FI</b>	Asiakirjasilppuri	<b>SK</b>	Skartovačka
<b>FR</b>	Destructeur de documents	<b>SR</b>	Šreder
<b>GR</b>	Καταστροφέας εγγράφων	<b>SV</b>	Dokumentförstörare
<b>HR</b>	Uništavač dokumenata	<b>TR</b>	Evrak İmha Makinesi
<b>HU</b>	Iratmegsemmisítő	<b>AR</b>	آلة تمزيق الورق
<b>IT</b>	Distruggidocumenti	<b>HE</b>	מגרסה

**EN**

Read the Operating Manual .....	10
Intended Use .....	10
Observe the Safety Information .....	10
Checking the Package Contents .....	11
General View of the Shredder .....	12
Positioning the Shredder and Starting It Up .....	13
Operating the Shredder .....	14
Troubleshooting .....	14
Technical Data .....	17
Disposal .....	17
Information on Storage .....	17
Queries and Service .....	18
Declaration of Conformity .....	18
Manufacturer .....	18

**DE**

Bedienungsanleitung lesen .....	19
Bestimmungsgemäße Verwendung .....	19
Sicherheitshinweise beachten .....	19
Verpackungsinhalt prüfen .....	21
Ihr Aktenvernichter im Detail .....	21
Aktenvernichter aufstellen und in Betrieb nehmen .....	22
Aktenvernichter bedienen .....	23
Wenn etwas nicht funktioniert .....	23
Technische Daten .....	26
Entsorgung .....	26
Hinweise zur Lagerung .....	26
Fragen und Service .....	27
Konformitätserklärung .....	27
Hersteller .....	27

**BG**

Запознаване с ръководството за обслужване .....	28
Употреба по предназначение .....	28
Съблюдаване на указанията за безопасност .....	28
Контролиране на съдържанието на опаковката .....	30
Детайлно изображение на Вашия shredder .....	30
Поставяне и включване на shreddera .....	31
Обслужване на shreddera .....	32
Когато нещо не функционира .....	33
Технически характеристики .....	35
Рециклиране .....	36
Указания за съхранение .....	36
Въпроси и сервизно обслужване .....	36
Декларация за съответствие .....	36
Производител .....	36

**CS**

Přečtení návodu k obsluze .....	37
Používání v souladu s určením .....	37
Dodržování bezpečnostních pokynů .....	37
Kontrola obsahu balení .....	39
Detaily vašeho skartovače .....	39
Postavení a uvedení skartovače do provozu .....	40
Obsluha skartovače .....	41
Pokud něco nefunguje .....	41
Technické údaje .....	44
Likvidace .....	44
Pokyny ke skladování .....	44
Dotazy a služby .....	45
Prohlášení o shodě .....	45
Výrobce .....	45

**DA**

Læs brugervejledningen igennem .....	46
Tilslået brug .....	46
Overhold sikkerhedsanvisningerne .....	46
Kontrol af emballagens indhold .....	47
Oversigt over din makulator .....	48
Stil makulatoren op og tag den i brug .....	49
Betjening af makulatoren .....	50
Hvis noget ikke fungerer .....	50
Tekniske data .....	53
Bortskaffelse .....	53
Henvisninger til opbevaring .....	53
Spørgsmål og service .....	54
Overensstemmelseserklæring .....	54
Producent .....	54

**ES**

Leer el manual de instrucciones .....	55
Uso previsto .....	55
Tener en cuenta las advertencias de seguridad .....	55
Comprobar el contenido del embalaje .....	57
La destructora de documentos en detalle .....	57
Instalar y poner en servicio la destructora de documentos .....	58
Manejo de la destructora de documentos .....	59
Si hay algo que no funciona .....	59
Datos técnicos .....	62
Eliminación .....	62
Advertencias sobre el almacenamiento .....	63
Preguntas y Servicio Técnico .....	63
Declaración de conformidad .....	63
Fabricante .....	63

**FI**

Lue käyttöohje . . . . .	64
Määräystenmukainen käyttö . . . . .	64
Huomioi turvallisuusohjeet . . . . .	64
Pakkauksen sisällön tarkastaminen . . . . .	65
Asiakirjasilppuri yksityiskohtaisesti . . . . .	66
Asiakirjasilppurin asettaminen paikalleen ja käyttöön ottaminen . . . . .	67
Asiakirjasilppurin käyttö . . . . .	68
Häiriöiden esiintyessä . . . . .	68
Tekniset tiedot . . . . .	71
Hävittäminen . . . . .	71
Varastointia koskevia ohjeita . . . . .	71
Kysymykset ja asiakaspalvelu . . . . .	72
Vaatimustenmukaisuusvakuutus . . . . .	72
Valmistaja . . . . .	72

**FR**

Lire le mode d'emploi . . . . .	73
Utilisation conforme à l'usage prévu . . . . .	73
Respecter les consignes de sécurité . . . . .	73
Contrôler le contenu du coffret . . . . .	75
Votre destructeur de documents en détail . . . . .	75
Positionnement et mise en service du destructeur de documents . . . . .	76
Comment utiliser le destructeur de documents . . . . .	77
Si quelque chose ne fonctionne pas . . . . .	78
Données techniques . . . . .	80
Élimination . . . . .	81
Remarques relatives au stockage du destructeur de documents . . . . .	81
Questions et service . . . . .	81
Déclaration de conformité . . . . .	81
Fabricant . . . . .	81

**GR**

Διαβάστε τις Οδηγίες Χρήσης . . . . .	82
Χρήση σύμφωνα με τον προορισμό . . . . .	82
Τηρείτε τις υποδείξεις ασφαλείας . . . . .	82
Έλεγχος περιεχομένου συσκευασίας . . . . .	84
Ο καταστροφέας εγγράφων λεπτομερώς . . . . .	84
Τοποθέτηση και έναρξη λειτουργίας καταστροφέα εγγράφων . . . . .	85
Χειρισμός καταστροφέα εγγράφων . . . . .	86
Όταν κάτι δεν λειτουργεί . . . . .	86
Τεχνικά στοιχεία . . . . .	89
Αποκομιδή . . . . .	89
Υπόδειξη για την αποθήκευση . . . . .	90
Ερωτήσεις και σέρβις . . . . .	90
Δήλωση συμμόρφωσης . . . . .	90
Κατασκευαστής . . . . .	90

## HR

Pročitajte upute za uporabu .....	91
Uporaba u skladu s namjenom .....	91
Slijedite sigurnosne upute .....	91
Provjerite sadržaj ambalaže .....	93
Dijelovi Vašeg uništavača dokumenata .....	93
Postavljanje uništavača dokumenata i puštanje u rad .....	94
Rukovanje uništavačem dokumenata .....	95
Ako nešto ne radi kako treba .....	95
Tehnički podaci .....	98
Zbrinjavanje .....	98
Upute za spremanje .....	98
Pitanja i servis .....	99
Izjava o sukladnosti .....	99
Proizvođač .....	99

## HU

A kezelési útmutató elolvasása .....	100
Rendeltetészerű használat .....	100
Vegye figyelembe a biztonsági tudnivalókat .....	100
A csomagolás tartalmának ellenőrzése .....	102
Az iratmegsemmisítő részei .....	102
Az iratmegsemmisítő felállítása és üzembe helyezése .....	103
Az iratmegsemmisítő kezelése .....	103
Ha valami nem működik .....	104
Műszaki adatok .....	107
Ártalmatlanítás .....	107
Tárolásra vonatkozó tudnivalók .....	107
Kérdések és szerviz .....	108
Megfelelőségi nyilatkozat .....	108
Gyártó .....	108

## IT

Leggere le istruzioni d'uso .....	109
Impiego conforme agli usi previsti .....	109
Osservare le indicazioni di sicurezza .....	109
Verificare il contenuto della confezione .....	111
Vista dettagliata del distruggidocumenti .....	111
Posizionamento e messa in funzione del distruggidocumenti .....	112
Esercizio del distruggidocumenti .....	113
Malfunzionamenti .....	114
Dati tecnici .....	116
Smaltimento .....	117
Indicazioni sulla conservazione .....	117
Domande e assistenza .....	117
Dichiarazione di conformità .....	117
Produttore .....	117

**NL**

Gebruiksaanwijzing lezen . . . . .	118
Beoogd gebruik . . . . .	118
Veiligheidsinstructies in acht nemen . . . . .	118
Inhoud van de verpakking controleren . . . . .	120
Uw papiervernietiger in detail . . . . .	120
Papierversnipperaar plaatsen en in gebruik nemen . . . . .	121
Papierversnipperaar bedienen . . . . .	122
Als er iets niet werkt . . . . .	122
Technische gegevens . . . . .	125
Gescheiden inzameling . . . . .	125
Instructies voor opslag . . . . .	125
Vragen en service . . . . .	126
Verklaring van overeenstemming . . . . .	126
Fabrikant . . . . .	126

**NO**

Les bruksanvisninger . . . . .	127
Tiltenkt bruk . . . . .	127
Følg sikkerhetshenvisninger . . . . .	127
Kontroller innholdet av pakken . . . . .	129
Din makuleringsmaskin i detalj . . . . .	129
Sette opp makuleringsmaskinen og sette den i drift . . . . .	130
Betjene makuleringsmaskin . . . . .	131
Hvis noe ikke fungerer . . . . .	131
Tekniske data . . . . .	134
Avfallshåndtering . . . . .	134
Informasjon om lagring . . . . .	134
Spørsmål og service . . . . .	135
Samsvarserklæring . . . . .	135
Produsent . . . . .	135

**PL**

Zapoznanie się z instrukcją obsługi . . . . .	136
Zastosowanie zgodne z przeznaczeniem . . . . .	136
Przestrzeganie wskazówek dotyczących bezpieczeństwa . . . . .	136
Sprawdzenie zawartości opakowania . . . . .	138
Widok detaliczny niszczarki do dokumentów . . . . .	138
Ustawianie i uruchamianie niszczarki do dokumentów . . . . .	139
Obsługa niszczarki do dokumentów . . . . .	140
Postępowanie w przypadku usterki . . . . .	140
Parametry techniczne . . . . .	143
Utylizacja . . . . .	143
Wskazówki dotyczące magazynowania . . . . .	144
Pytania i serwis . . . . .	144
Deklaracja zgodności . . . . .	144
Producent . . . . .	144

**PT**

Leia o manual de instruções . . . . .	145
Utilização conforme a finalidade . . . . .	145
Observar os avisos de segurança . . . . .	145
Verificar o conteúdo da embalagem . . . . .	146
O seu destruidor de documentos em detalhe . . . . .	147
Ligar o destruidor de documentos e iniciar a utilização . . . . .	148
Operar o destruidor de documentos . . . . .	149
Caso algo não funcione . . . . .	149
Dados técnicos . . . . .	152
Eliminação . . . . .	152
Avisos para a armazenagem . . . . .	153
Perguntas e serviço . . . . .	153
Declaração de conformidade . . . . .	153
Fabricante . . . . .	153

**RO**

Citirea manualului de utilizare . . . . .	154
Utilizarea conform dispoziției . . . . .	154
Respectarea instrucțiunilor de siguranță . . . . .	154
Verificați conținutul ambalajului . . . . .	156
Prezentarea detaliată a distrugătorului de documente . . . . .	156
Amplasarea distrugătorului de documente și punerea în funcțiune . . . . .	157
Operarea distrugătorului de documente . . . . .	158
Dacă ceva nu funcționează . . . . .	158
Date tehnice . . . . .	161
Eliminarea . . . . .	161
Indicații privind depozitarea . . . . .	162
Întrebări și service . . . . .	162
Declarație de conformitate . . . . .	162
Producătorul . . . . .	162

**RU**

Чтение руководства по эксплуатации . . . . .	163
Использование по назначению . . . . .	163
Соблюдение указаний по технике безопасности . . . . .	163
Проверить содержимое упаковки . . . . .	165
Детальное представление shreddera . . . . .	165
Установка и ввод shreddera в эксплуатацию . . . . .	166
Управление shreddером . . . . .	167
Если что-то не работает . . . . .	167
Технические данные . . . . .	170
Утилизация . . . . .	170
Указания по хранению . . . . .	171
Вопросы и сервисное обслуживание . . . . .	171
Сертификат соответствия . . . . .	171
Изготовитель . . . . .	171

**SK**

Prečítajte si návod na obsluhu .....	172
Použitie podľa určenia .....	172
Dodržiavajte bezpečnostné pokyny .....	172
Skontrolujte obsah obalu .....	174
Podrobné zobrazenie Vašej skartovačky .....	174
Postavenie a uvedenie skartovačky do prevádzky .....	175
Obsluha skartovačky .....	176
Ak niečo nefunguje .....	177
Technické údaje .....	179
Likvidácia .....	180
Pokyny na uskladnenie .....	180
Otázky a služby .....	180
Vyhlásenie o zhode .....	180
Výrobca .....	180

**SR**

Pročitati uputstvo za upotrebu .....	181
Pravilna upotreba .....	181
Poštovati sigurnosne napomene .....	181
Proveriti sadržaj pakovanja .....	183
Vaš šreder detaljno .....	183
Postaviti šreder i pustiti ga u rad .....	184
Upotreba šredera .....	185
Ako nešto ne funkcioniše .....	185
Tehnički podaci .....	188
Zbrinjavanje .....	188
Napomene o skladištenju .....	189
Pitanja i servis .....	189
Izjava o konformnosti .....	189
Proizvođač .....	189

**SV**

Läs bruksanvisningen .....	190
Ändamålsenlig användning .....	190
Beakta säkerhetsanvisningarna .....	190
Kontrollera förpackningsinnehållet .....	192
Dokumentförstöraren i detalj .....	192
Ställa upp dokumentförstöraren och ta den i drift .....	193
Hantering av dokumentförstörare .....	194
Om något inte fungerar .....	194
Tekniska data .....	197
Avfallshantering .....	197
Förvaringsanvisningar .....	197
Frågor och service .....	198
Försäkran om överensstämmelse .....	198
Tillverkare .....	198



## TR

Kullanma kılavuzunu okuyunuz . . . . .	199
Amacına uygun kullanım . . . . .	199
Güvenlik uyarılarına dikkat ediniz . . . . .	199
Ambalaj içeriğinin kontrol edilmesi . . . . .	201
Evrak imha makinesinin ayrıntıları . . . . .	201
Evrak imha makinesinin yerleştirilmesi ve çalıştırılması . . . . .	202
Evrak imha makinesinin kullanılması . . . . .	203
Bir şeyler çalışmazsa . . . . .	203
Teknik veriler . . . . .	206
Tasfiye . . . . .	206
Depolama bilgileri . . . . .	206
Sorular ve servis . . . . .	207
Uygunluk beyanı . . . . .	207
Üretici . . . . .	207

## AR

اقرأ دليل الاستعمال . . . . .	218
الاستخدام المطابق للتعليمات . . . . .	218
مراعاة تعليمات السلامة . . . . .	218
افحص محتوى العبوة . . . . .	216
آلة تمزيق الأوراق الخاصة بك بالتفصيل . . . . .	216
نصب آلة تمزيق الورق وتشغيلها . . . . .	215
استخدام آلة تمزيق الورق . . . . .	214
إذا كان أحد المكونات لا يعمل . . . . .	214
المواصفات الفنية . . . . .	211
التخلص من النفايات . . . . .	211
تعليمات التخزين . . . . .	211
الأسئلة والخدمة . . . . .	210
إعلان المطابقة . . . . .	210
الجهة المصنعة . . . . .	210

## HE

קרא את הוראות ההפעלה . . . . .	227
שימוש בהתאם לייעוד . . . . .	227
יש להישמע להנחיות הבטיחות . . . . .	227
בדיקת תכולת האריזה . . . . .	226
פירוט חלקי המגרסה . . . . .	225
הצבת המגרסה והתחלת שימוש . . . . .	224
במקרה של תקלה . . . . .	222
שימוש במגרסה . . . . .	223
מפרט טכני . . . . .	220
סילוק . . . . .	220
הנחיות אחסון . . . . .	220
שאלות ושירות . . . . .	219
הצהרת תאימות . . . . .	219
היצרן . . . . .	219

## Read the Operating Manual



Read this operating manual through carefully, observing all the information contained regarding handling and using the shredder. Keep the operating manual close by for future reference.

## Intended Use

The shredder has been designed to shred paper, credit cards, paper clips and staples. The shredder is only intended for private use indoors.

Any other use is considered unintended use. Unauthorised modifications or reconstructions are not permitted and lead to loss of rights to claims under the terms of guarantee.

## Observe the Safety Information

Read and observe all the warnings to protect yourself and the environment from any harm.



### Warning!

Risk of injury through the insertion mechanism. Loose items could catch in the insertion slot and cause injuries. Keep fingers, hair, scarves, ties, jewellery etc. away from the insertion slot.



### Warning!

Risk of injury through electric shock. Handling the shredder improperly could lead to an electric shock. Unauthorised modifications or reconstructions to the shredder are not permitted. Do not operate the shredder if the power cable is damaged. Switch off the shredder immediately in the case of damage or improper functioning and disconnect the power plug.

Repairs may only be carried out by properly qualified specialists. Pay attention that the shredder is set-up in the vicinity of an easily accessible power socket so that the shredder can be disconnected from the power supply in an emergency. Never handle the shredder with wet hands. Avoid any contact with water.



### Warning!

Risk of suffocation due to small parts, packaging or protective foils. Children can swallow or choke on small parts, packaging and protective foils. Keep the device and its packaging materials out of reach of children.



### Warning!

This device can be used by children from the age of eight and persons with restricted physical, sensory or mental capabilities or a lack of experience and/or knowledge when they are supervised or have been instructed with regard to safe use of the device and the risks involved with its use. Children must not be allowed to play with the device. Children must not be allowed to complete any cleaning or service work on the device without adequate supervision.

**Caution!**

Risk of tripping due to improperly laid power cable. Lay the power cable in such a way that nobody can trip over it. Make sure the power plug and cable cannot be damaged.

**Important!**

Risk of property damage. Avoid exposing the device to environmental influences such as smoke, dust, vibration, chemicals, moisture, heat or direct sunlight.

Only use the shredder indoors.

Observe the following information to ensure that the shredder always functions as you expect it to.



Read the operating instructions thoroughly before starting to use the device.



Keep long hair away from the shredder.



Keep all loose pieces of clothing, jewellery or other loose items away from the shredder.



Keep ties and scarves away from the shredder.



General indication of potential risks, so that particular care is required.



**Warning!** This equipment is not intended for use by children. Avoid touching the media feed opening with the hands, clothing or hair. Unplug this equipment when not in use for an extended period of time. Hazardous moving part is in this equipment, keep body parts away from moving parts.



Never reach into the insertion slot.



Keep children and pets away from the shredder.



Do not spray any inflammable gases in the direction of the shredder.



Insert a maximum of 8 sheets into the shredder at one time.



**Caution!** Risk of injury through sharp edge of cutting mechanism!



Credit cards must be inserted vertically.

## Checking the Package Contents

Check the package contents of your shredder before putting the shredder into operation.

If anything is missing or damaged, do not use the shredder. Contact our Service department.

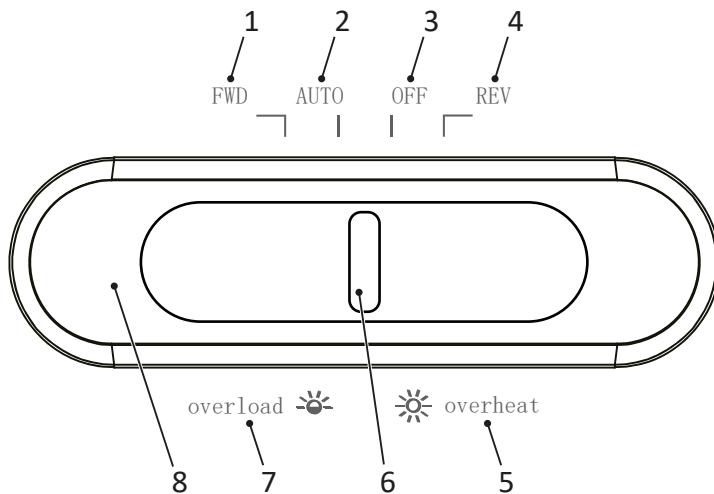
- OneShred 8CC shredder with waste bin for cuttings
- Operating manual
- 1 oiled sheet

## General View of the Shredder

The following figure illustrates the shredder in detail.



1	Main switch	5	Viewing window
2	Insertion slot	6	Grip
3	Shredder attachment	7	Status indicator
4	Waste bins		



1	Manual operation (forward)	5	Overheating
2	Automatic operation	6	Main switch
3	Power OFF	7	Overloading
4	Reverse operation	8	Status indicator

## Positioning the Shredder and Starting It Up

The shredder only operates when the waste bin supplied is fitted. Do not position the shredder near any sources of heat and maintain a distance of at least 10 cm to walls. This ensures the shredder is sufficiently cooled.

- 1 Set the waste bin down on a stable, level, horizontal surface and in the vicinity of an easily accessible power socket.
- 2 Mount the shredder attachment on the waste bin. The shredder attachment latches audibly in place. If the shredder attachment is not fitted properly on the waste bin, the shredder cannot be switched on.



### Caution!

Risk of injury through sharp edge of cutting mechanism! The underside of the cutting mechanism has sharp edges and corners. Only take hold of the cutting mechanism by the grips.

- 3 Slide the main switch to **OFF** and connect the power plug to the power socket.
- 4 Slide the main switch to **AUTO**.
  - ➔ You have put the shredder into operation. The status indicator lights up blue.

## Operating the Shredder

The shredder works using an automatic shredding mechanism. The shredder functions are operated by sliding the main switch to the respective positions.

### Shredding Material Automatically

Observe the maximum permissible cutting capacity and other specifications defined in Section "Technical Data".



#### Warning!

This equipment is not intended for use by children. Avoid touching the media feed opening with the hands, clothing or hair. Unplug this equipment when not in use for an extended period of time. Hazardous moving part is in this equipment, keep body parts away from moving parts.

### Important!

Risk of property damage through material jam! Observe the maximum cutting capacity of the insertion slot.

- 1 Feed the material to be shredded in the centre of the insertion slot.
  - ➔ The insertion slot draws the material in automatically and stops when no more material is fed in.

### Shredding Material Manually

On rare occasions, it is possible that the sensors do not detect the material inserted.

- 1 Slide the main switch to **FWD**.
  - ➔ The material is then drawn in and shredded.
- 2 Slide the main switch to **OFF**.

### Switching the Shredder Off

Switch the shredder off when you no longer need to use it.

- 1 Slide the main switch to **OFF**.
  - ➔ The shredder is switched off.
- 2 Disconnect the power plug from the power socket if the shredder will not be used for a longer period of time.

## Troubleshooting

The following information should provide help if something is not working as would be expected.

### Overheating Protection

The shredder switches off automatically in the event of overheating. The status indicator lights up red.

**1** Wait at least 50 minutes until the shredder has cooled down. Observe the minimum clearance to walls and the information on continuous operation in Technical Data.

➔ When the cool down phase has elapsed, the status indicator lights up blue and shredding is resumed.

### Overload Protection

If you have inserted more material than is specified in Section "Technical Data", the status indicator flashes red and the shredder automatically starts reverse operation for 5 seconds.

**1** Pull the material out of the shredder.

➔ The blockage has now been cleared.

**2** After the material has been removed from the shredder, the cutting mechanism continues to run for 3 seconds to clean itself. Wait until the shredder has stopped and the status indicator lights up blue.

### Oiling the Cutting Mechanism

If you want to increase the working life of the shredder, you should oil the shredder's cutting mechanism at regular intervals.

Special oil and oiled sheets are available for the shredder from HP.

#### Important!

Risk of property damage through using the wrong oil! Do not use spray oils. Only use a special oil intended for shredders.

There are various ways to oil the cutting mechanism.

#### Oiling Using Self-Oiled Paper:

**1** Apply the special oil for shredders in several lines horizontally across a sheet of paper.

**2** Insert the oiled sheet of paper in the insertion slot.

➔ The paper with oil applied is inserted and oils the cutting mechanism.

#### Oiling Using Oiled Sheets

**1** Insert the oiled sheet in the paper infeed.

➔ The paper with oil applied is inserted and oils the cutting mechanism.

## Emptying the Waste Bin

Check the fill level of the waste bin through the viewing window at regular and when it is about 80% full, empty it. This prevents the shredded material from accumulating, which could lead to malfunctions.

- 1 Slide the main switch to **OFF**.
- 2 Disconnect the power plug from the power socket.



### Caution!

Risk of injury through sharp edge of cutting mechanism! The underside of the cutting mechanism has sharp edges and corners. Only take hold of the cutting mechanism by the grips.

- 3 Lift the shredder attachment from the waste bin.
- 4 Empty the waste bin.



### Caution!

Risk of injury through sharp edge of cutting mechanism! The underside of the cutting mechanism has sharp edges and corners. Only take hold of the cutting mechanism by the grips.

- 5 Mount the shredder attachment on the waste bin.
  - ➔ The waste bin latches audibly in place.

## Clearing Residual Material

If the shredder no longer shreds material as you expect, remove any residual material from the cutting mechanism.

- 1 Slide the main switch to **REV**. The cutting mechanism runs in reverse and releases any material remaining in the cutting mechanism.
- 2 Slide the main switch to **OFF**.
- 3 Disconnect the power plug from the power socket.
- 4 Lift the shredder attachment from the waste bin.



### Caution!

Risk of injury through sharp edge of cutting mechanism! Take the utmost care when removing the material residue.

- 5 Remove the residual material carefully from the cutting mechanism using an appropriate pointed object.
- 6 Mount the shredder attachment on the waste bin.



## Cleaning the Shredder

Clean the shredder at regular intervals.



### Caution!


Risk of injury through flash flame! Such flash flames can occur when using air sprays. Never use air sprays.

- 1 Slide the main switch to **OFF**.
- 2 Disconnect the power plug from the power socket.
- 3 Clean the surface of the housing with a soft, dry, lint-free cloth. Do not use any aerosols, solvents or cleaning agents.

## Technical Data

Model	Dimensions (mm)	Security level compliant with DIN 66399-2	Cuttings size (thickness × width, mm)	Max. cutting capacity (sheets / credit cards)	Working width (mm)	Power supply	Capacity, waste bin (l)	Weight (kg)	Volume (dB)	Continuous operation (min) / Cool down phase (min)	Operating speed (m/min)	Shred type
One-Shred 8CC	W: 320 L: 190 H: 416	P-4	5 × 18	8 / 1	220	220 - 240 V, 50 - 60 Hz, 1.2 A, 200 W	15	4.3	68	4 / 50	1.8	Cross cut

## Disposal

 The adjacent symbol indicates laws dictate that electrical and electronic apparatus no longer required must be disposed of separate from domestic waste. Disposal is free of charge. Dispose of your device at a collection point provided by your local public waste authority.



Packaging materials must be disposed of according to local regulations.

## Information on Storage

The shredder must be stored safely after use. Observe the following information:

Store the shredder

- in its original packaging
- in a dry, clean location
- in a cooled state

## Queries and Service

Dear customer,

we are delighted that you have chosen this equipment.

In the case of a defect, please return the device together with the receipt and original packing material to the point of sale.

## Declaration of Conformity

We confirm conformity with regard to the safety classifications listed in the product specification in accordance with DIN 66399-2.

 The CE Mark on the device confirms conformity.

The Declaration of Conformity is available at [www.hp.com/officeequipment](http://www.hp.com/officeequipment)

## Manufacturer

GO Europe GmbH  
Zum Kraftwerk 1  
D-45527 Hattingen  
Germany

## Bedienungsanleitung lesen



Lesen Sie die Bedienungsanleitung aufmerksam durch und beachten Sie die Hinweise bei der Handhabung Ihres Aktenvernichters. Bewahren Sie die Bedienungsanleitung für eine spätere Verwendung auf.

## Bestimmungsgemäße Verwendung

Ihr Aktenvernichter ist geeignet für das Zerkleinern von Papier, Kreditkarten, Büroklammern und Heftklammern. Der Aktenvernichter ist ausschließlich für den privaten Gebrauch in geschlossenen Räumen geeignet.

Jede andere Verwendung gilt als nicht bestimmungsgemäß. Eigenmächtige Veränderungen oder Umbauten oder Umbauten sind nicht zulässig und führen zu Garantieverlust.

## Sicherheitshinweise beachten

Lesen und beachten Sie die Warnhinweise, um sich und die Umwelt zu schützen.



### Warnung!

Verletzungsgefahr durch Einzugsmechanismus. Lose Gegenstände können sich im Einzug verfangen und Verletzungen hervorrufen. Halten Sie Finger, Haare, Schals, Krawatten, Schmuck etc. vom Einzug fern.



### Warnung!

Verletzungsgefahr durch Stromschlag. Fehlerhafter Umgang mit dem Aktenvernichter kann zu Stromschlag führen. Eigenmächtige Veränderungen oder Umbauten am Aktenvernichter sind nicht zulässig. Betreiben Sie den Aktenvernichter nicht mit einem beschädigten Netzkabel. Schalten Sie den Aktenvernichter bei Beschädigungen oder nicht ordnungsgemäßer Funktion sofort ab und ziehen Sie den Netzstecker.

Lassen Sie Reparaturen nur von qualifiziertem Fachpersonal durchführen. Stellen Sie den Aktenvernichter in der Nähe einer leicht zugänglichen Steckdose auf, damit der Aktenvernichter im Notfall schnell vom Stromnetz getrennt werden kann. Niemals mit nassen Händen anfassen. Jeden Kontakt mit Wasser vermeiden.



### Warnung!

Erstickungsgefahr durch Kleinteile, Verpackungsmaterialien oder Schutzfolien. Kinder können Kleinteile, Verpackungsmaterialien oder Schutzfolien verschlucken. Kinder vom Gerät und dessen Verpackung fernhalten.



### Warnung!

Dieses Gerät kann von Kindern ab einem Alter von acht Jahren und von Personen mit eingeschränkten physischen, sensorischen oder geistigen Fähigkeiten oder einem Mangel an Erfahrung und/oder Wissen verwendet werden, wenn sie beaufsichtigt werden oder bezüglich des sicheren Gebrauchs des Geräts unterwiesen wurden und die daraus resultierenden Gefahren verstanden haben. Kinder dürfen nicht mit dem Gerät spielen. Reinigung und Benutzerwartung dürfen nicht durch Kinder ohne Beaufsichtigung durchgeführt werden.

**Vorsicht!**

Stolpergefahr durch unsachgemäß verlegtes Netzkabel. Verlegen Sie das Netzkabel so, dass niemand darüber stolpern kann. Achten Sie darauf, dass keine Schäden am Netzstecker und am Netzkabel auftreten können.

**Wichtig!**

Sachschaden möglich. Umwelteinflüsse wie z. B. Rauch, Staub, Erschütterungen, Chemikalien, Feuchtigkeit, Hitze oder direkte Sonneneinstrahlung vermeiden.

Verwenden Sie den Aktenvernichter nur in geschlossenen Räumen.

Beachten Sie die folgenden Hinweise, damit Ihr Aktenvernichter stets so funktioniert, wie Sie es erwarten.



Lesen Sie vor der Inbetriebnahme die Bedienungsanleitung durch.



Halten Sie langes Haar von Ihrem Aktenvernichter fern.



Halten Sie lose Teile von Bekleidung, Schmuck oder andere lose Gegenstände von Ihrem Aktenvernichter fern.



Halten Sie Krawatten und Schals von Ihrem Aktenvernichter fern.



Allgemeiner Hinweis auf mögliche Gefahren, die Ihre besondere Aufmerksamkeit erfordern.



**Warnung!** Dieses Gerät ist nicht für die Verwendung durch Kinder vorgesehen. Vermeiden Sie es, die Einzugsöffnung mit den Händen, Kleidung oder Haaren zu berühren. Ziehen Sie den Netzstecker, wenn Sie das Gerät über einen längeren Zeitraum nicht benutzen. In diesem Gerät befinden sich gefährliche bewegliche Teile, halten Sie Körperteile von beweglichen Teilen fern.



Greifen Sie niemals direkt in den Einzug.



Halten Sie Kinder und Haustiere von Ihrem Aktenvernichter fern.



Sprühen Sie keine brennbaren Gase in die Richtung Ihres Aktenvernichters.



Führen Sie maximal 8 Blätter gleichzeitig in den Einzug ein.



**Vorsicht!** Verletzungsgefahr durch scharfkantiges Schneidwerk!



Führen Sie Kreditkarten nur vertikal ein.

## Verpackungsinhalt prüfen

Prüfen Sie den Verpackungsinhalt Ihres Aktenvernichters, bevor Sie Ihren Aktenvernichter in Betrieb nehmen.

Sollte etwas fehlen oder beschädigt sein, nehmen Sie den Aktenvernichter keinesfalls in Betrieb. Wenden Sie sich an unseren Service.

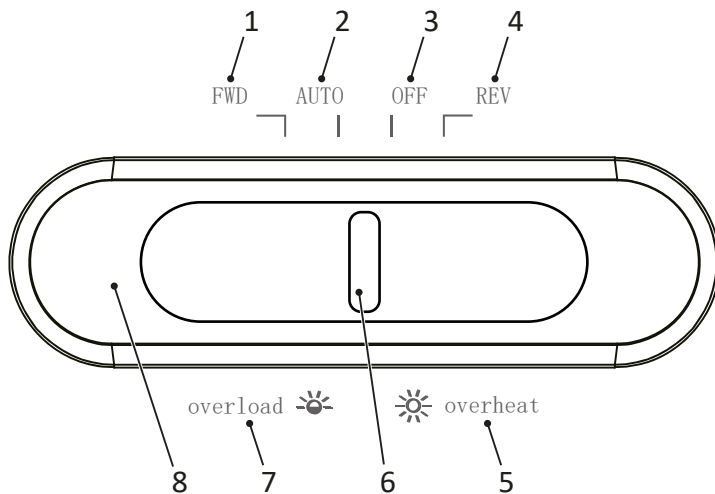
- Aktenvernichter OneShred 8CC mit Auffangbehälter für Schnittpapier
- Bedienungsanleitung
- 1 Blatt Öl-Papier

## Ihr Aktenvernichter im Detail

Die folgende Abbildung zeigt Ihnen den Aktenvernichter im Detail.



1	Hauptschalter	5	Sichtfenster
2	Einzug	6	Handgriff
3	Schneidwerkaufsatz	7	Statusanzeige
4	Auffangbehälter		



1	manueller Betrieb	5	Überhitzung
2	automatischer Betrieb	6	Hauptschalter
3	Gerät Aus	7	Überladung
4	rückwärts Betrieb	8	Statusanzeige

## Aktenvernichter aufstellen und in Betrieb nehmen

Ihr Aktenvernichter funktioniert nur mit dem Auffangbehälter. Stellen Sie den Aktenvernichter nicht in der Nähe von Wärmequellen auf und halten Sie einen Abstand von mindestens 10 cm zur Wand ein. So wird der Aktenvernichter ausreichend gekühlt.

- 1 Stellen Sie den Auffangbehälter standsicher auf einer ebenen, waagerechten Oberfläche und in der Nähe einer leicht zugänglichen Steckdose auf.
- 2 Setzen Sie den Schneidwerkaufsatz auf den Auffangbehälter. Der Schneidwerkaufsatz rastet hörbar ein. Sitzt der Schneidwerkaufsatz nicht ordnungsgemäß auf dem Auffangbehälter kann der Aktenvernichter nicht eingeschaltet werden.



### Vorsicht!

Verletzungsgefahr durch scharfkantiges Schneidwerk! Die Unterseite des Schneidwerks enthält scharfkantige Ecken. Fassen Sie das Schneidwerk nur an den Handgriffen an.

- 3 Schieben Sie den Hauptschalter in die Position **OFF** und schließen Sie den Netzstecker an der Steckdose an.
- 4 Schieben Sie den Hauptschalter in die Position **AUTO**.  
➔ Sie haben Ihren Aktenvernichter in Betrieb genommen. Die Statusanzeige leuchtet blau.

## Aktenvernichter bedienen

Ihr Aktenvernichter arbeitet mit einer automatischen Zerkleinerung. Der Aktenvernichter wird über das Verschieben des Hauptschalters bedient.

### Material automatisch zerkleinern

Beachten Sie die maximal zulässige Schnittleistung und weitere in den technischen Daten angegebenen Spezifikationen.



#### Warnung!

Dieses Gerät ist nicht für die Verwendung durch Kinder vorgesehen. Vermeiden Sie es, die Einzugsöffnung mit den Händen, Kleidung oder Haaren zu berühren. Ziehen Sie den Netzstecker, wenn Sie das Gerät über einen längeren Zeitraum nicht benutzen. In diesem Gerät befinden sich gefährliche bewegliche Teile, halten Sie Körperteile von beweglichen Teilen fern.

### Wichtig!

Sachschaden durch Materialstau! Beachten Sie die maximale Schnittleistung des Einzugs.

- 1 Führen Sie zu zerkleinerndes Material mittig in den Einzug ein.
  - ➔ Der Einzug zieht das Material ein und stoppt, wenn kein weiteres Material eingeführt wird.

### Material manuell zerkleinern

In seltenen Fällen erkennen die Sensoren eingeführtes Material nicht.

- 1 Schieben Sie den Hauptschalter in die Position **FWD**.
  - ➔ Das Material wird manuell eingezogen und zerkleinert.
- 2 Schieben Sie den Hauptschalter in die Position **OFF**.

### Aktenvernichter ausschalten

Schalten Sie den Aktenvernichter aus, wenn Sie den Aktenvernichter nicht mehr benötigen.

- 1 Schieben Sie den Hauptschalter in die Position **OFF**.
  - ➔ Sie haben den Aktenvernichter ausgeschaltet.
- 2 Ziehen Sie den Netzstecker aus der Steckdose, wenn der Aktenvernichter über einen längeren Zeitraum nicht benutzt wird.

## Wenn etwas nicht funktioniert

Die folgenden Hinweise helfen Ihnen, wenn etwas nicht so funktioniert, wie Sie es erwarten.

### Überhitzungsschutz

Der Aktenvernichter schaltet sich bei Überhitzung automatisch ab. Die Statusanzeige leuchtet rot.

- 1 Warten Sie mindestens 50 Minuten bis der Aktenvernichter abgekühlt ist. Beachten Sie den Mindestabstand zur Wand und die Angaben zum Dauerbetrieb in den technischen Daten.
  - ➔ Nach der Abkühlphase leuchtet die Statusanzeige blau und die Zerkleinerung wird fortgesetzt.

### Überladungsschutz

Haben Sie mehr Material zugeführt als in den technischen Daten angegeben, blinkt die Statusanzeige rot und der Aktenvernichter startet für 5 Sekunden den automatischen Rückwärtslauf.

- 1 Ziehen Sie das Material aus dem Aktenvernichter.
  - ➔ Sie haben die Blockierung gelöst.
- Nachdem das Material aus dem Aktenvernichter entfernt wurde, bewegt sich das Schneidwerk für 3 Sekunden weiter um sich zu reinigen. Warten Sie, bis der Aktenvernichter wieder still steht und die Statusanzeige blau leuchtet.

### Schneidwerk ölen

Ölen Sie das Schneidwerk des Aktenvernichters in regelmäßigen Abständen, um die Lebensdauer des Aktenvernichters zu verlängern.

Es sind spezielles Öl und Öl-Blätter für Aktenvernichter von HP erhältlich.

### Wichtig!

Sachschaden durch die Verwendung falscher Öle! Keine Sprühöle verwenden. Ausschließlich Spezialöl für Aktenvernichter verwenden.

Sie haben verschiedene Möglichkeiten das Schneidwerk zu ölen.

#### Ölen mit selbst geölten Papier:

- 1 Tragen Sie Spezialöl für Aktenvernichter in mehreren Querlinien auf ein Blatt Papier auf.
- 2 Führen Sie das geölte Blatt Papier dem Einzug zu.
  - ➔ Das mit Öl benetzte Papier wird eingezogen und ölt das Schneidwerk.

#### Ölen mit Öl-Blättern

- 1 Führen Sie das Öl-Blatt Papier in den Einzug ein.
  - ➔ Das mit Öl benetzte Papier wird eingezogen und ölt das Schneidwerk.



## Auffangbehälter leeren

Der Füllstand des Auffangbehälters muss regelmäßig durch das Sichtfenster überprüft und ab einem Füllstand von ca. 80 % geleert werden. So verhindern Sie, dass sich zerkleinertes Material staut und zu Fehlfunktionen führt.

- 1 Schieben Sie den Hauptschalter in die Position **OFF**.
- 2 Ziehen Sie den Netzstecker aus der Steckdose.



### Vorsicht!

Verletzungsgefahr durch scharfkantiges Schneidwerk! Die Unterseite des Schneidwerks enthält scharfkantige Ecken. Fassen Sie das Schneidwerk nur an den Handgriffen an.

- 3 Heben Sie den Schneidwerkaufsatz vom Auffangbehälter.
- 4 Leeren Sie die Auffangbehälter.



### Vorsicht!

Verletzungsgefahr durch scharfkantiges Schneidwerk! Die Unterseite des Schneidwerks enthält scharfkantige Ecken. Fassen Sie das Schneidwerk nur an den Haltegriffen an.

- 5 Setzen Sie den Schneidwerkaufsatz auf den Auffangbehälter.
  - ➔ Der Auffangbehälter rastet hörbar ein.

## Materialreste entfernen

Wenn Ihr Aktenvernichter das Material nicht mehr so zerkleinert, wie Sie es erwarten, entfernen Sie verbliebene Materialreste aus dem Schneidwerk.

- 1 Schieben Sie den Hauptschalter in die Position **REV**. Das Schneidwerk läuft rückwärts und gibt im Schneidwerk verbliebenes Material frei.
- 2 Schieben Sie den Hauptschalter in die Position **OFF**.
- 3 Ziehen Sie den Netzstecker aus der Steckdose.
- 4 Heben Sie den Schneidwerkaufsatz vom Auffangbehälter.



### Vorsicht!

Verletzungsgefahr durch scharfkantiges Schneidwerk! Lassen Sie beim Entfernen von Materialresten besondere Vorsicht walten.

- 5 Entfernen Sie verbliebene Materialreste mit einem geeigneten spitzen Gegenstand vorsichtig aus dem Schneidwerk.
- 6 Setzen Sie den Schneidwerkaufsatz auf den Auffangbehälter.

## Aktenvernichter reinigen

Reinigen Sie den Aktenvernichter in regelmäßigen Abständen.



### Vorsicht!


Verletzungsgefahr durch Stichflamme! Bei Verwendung von Druckluftsprays kann es zu Stichflammen kommen. Verwenden Sie niemals Druckluftsprays.

- 1 Schieben Sie den Hauptschalter in die Position **OFF**.
- 2 Ziehen Sie den Netzstecker aus der Steckdose.
- 3 Reinigen Sie die Gehäuseoberflächen mit einem weichen, trockenen, fusselfreien Tuch. Verwenden Sie keine Druckluftsprays, Reinigungs- oder Lösungsmittel.

## Technische Daten

Modell	Abmessungen (mm)	Sicherheitsstufe nach DIN 66399-2	Größe Schnittgut (Dicke × Breite, mm)	max. Schnittleistung (Blätter / Kreditkarte)	Arbeitsbreite (mm)	Stromversorgung	Fassungsvermögen Auffangbehälter (l)	Gewicht (kg)	Lautstärke (dB)	Dauerbetrieb (min) / Abkühldauer (min)	Arbeitsgeschwindigkeit (m/min)	Schnittart
One-Shred 8CC	B: 320 L: 190 H: 416	P-4	5 × 18	8 / 1	220	220 - 240 V, 50 - 60 Hz, 1,2 A, 200 W	15	4,3	68	4 / 50	1,8	Partikel-schnitt

## Entsorgung

 Das nebenstehende Symbol bedeutet, dass elektrische und elektronische Altgeräte aufgrund gesetzlicher Bestimmungen getrennt vom Hausmüll zu entsorgen sind. Die Entsorgung ist unentgeltlich. Entsorgen Sie Ihr Gerät bei der Sammelstelle Ihres kommunalen Entsorgungsträgers. Entsorgen Sie Verpackungsmaterialien entsprechend den lokalen Vorschriften.



## Hinweise zur Lagerung

Nach der Verwendung muss der Aktenvernichter sicher gelagert werden. Beachten Sie die folgenden Hinweise:

Lagern Sie den Aktenvernichter

- nur in der Originalverpackung
- an einem trockenen, sauberen Ort
- nur in abgekühlten Zustand

## Fragen und Service

Lieber Kunde,

wir freuen uns, dass Sie sich für dieses Gerät entschieden haben.

Bei Fragen und Problemen steht Ihnen unsere Service-Hotline unter der Telefonnummer

**+49 (0) 180 5 007514** (Kosten aus dem dt. Festnetz bei Drucklegung: 14ct/Min., mobil maximal 42ct/Min.) zur Verfügung.

Weitere Informationen finden Sie auch in unserem Retouren-Portal (RMA) im Bereich Support auf unserer Internetseite [www.hp.com/officeequipment](http://www.hp.com/officeequipment).

Eine Rücksendung erfolgt unter Beifügung des Kaufbelegs und idealerweise in der Originalverpackung an:

WSG Wilhelmshavener Service Gesellschaft mbH

Krabbenweg 14

26388 Wilhelmshaven Germany

## Konformitätserklärung

Wir bestätigen die Konformität nach DIN 66399-2 mit den in der Produktspezifikation aufgeführten Sicherheitsstufen.

 Das CE-Kennzeichen auf dem Gerät bestätigt die Konformität.  
Die Konformitätserklärung finden Sie unter [www.hp.com/officeequipment](http://www.hp.com/officeequipment)

## Hersteller

GO Europe GmbH

Zum Kraftwerk 1

D-45527 Hattingen

Deutschland

## Запознаване с ръководството за обслужване



Прочетете внимателно ръководството за обслужване и съблюдавайте указанията при употреба на шредера. Запазете ръководството за обслужване за по-късна употреба.

## Употреба по предназначение

Вашият шредер е подходящ за нарязване респ. надробвяване на хартия, кредитни карти, кламери и скоби. Шредерът е предназначен само за частна употреба в затворени помещения.

Всяка друга употреба не отговаря на предназначението. Забранено е извършването на своеволни промени или модификации на шредера, което води до загуба на гаранцията.

## Съблюдаване на указанията за безопасност

Прочетете и спазвайте предупредителните указания, за да предпазите себе си и околната среда.



### Предупреждение!

Опасност от нараняване от изтеглящия механизъм. Свободните предмети могат да блокират в изтеглящия механизъм и да причинят наранявания. Дръжте пръсти, коса, шалове, вратовръзки, бижута и т. н. далеч от изтеглящия механизъм.



### Предупреждение!

Опасност от нараняване поради електрически удар. Неправилното боравене с шредера може да причини електрически удар. Забранено е извършването на своеволни промени или модификации на шредера. Не използвайте шредера с повреден мрежов кабел. Веднага изключвайте шредера при повреда или неправилна функция и издърпайте кабела от контакта.

Оставете поправките да се извършват само от квалифициран персонал. Поставете шредера в близост до лесно достъпен контакт, за да може в спешен случай той бързо да бъде изключен. Никога не го докосвайте с мокри ръце. Избягвайте всякакъв контакт с вода.



### Предупреждение!

Опасност от задушаване поради наличието на дребни детайли, опаковъчни материали или защитни фолиа. Децата могат да погълнат малки части, опаковъчни материали или защитно фолио. Дръжте настрана децата от уреда и неговата опаковка.

**Предупреждение!**

Този уред може да се използва от деца над 8-годишна възраст, както и от лица с намалени физически, сетивни или умствени способности или липса на опит и познания, ако те се намират под наблюдение или са инструктирани за безопасното използване на уреда и разбират произтичащите от това опасности. Децата не трябва да използват уреда като играчка. Почистването и поддръжката не трябва да се извършват от деца без надзор.

**Внимание!**

Опасност от препъване поради неправилно положен кабел. Положете мрежовия кабел така, че никой да не може да се препъне в него. Обърнете внимание на това щепселът или кабелът да не могат да бъдат повредени.

**Важно!**

Възможни са материални щети. Избягвайте влияния на околната среда като дим, прах, вибрации, химикали, влага, топлина или директна слънчева светлина.

Използвайте шредера само в затворени помещения.

Съблюдавайте следните указания, за да може шредерът винаги да функционира така, както очаквате.



Прочетете ръководството за обслужване, преди да използвате шредера.



Дръжте настрана от шредера дълги коси.



Дръжте настрана от шредера свободни части от облеклото или други незакрепени предмети.



Дръжте настрана от шредера вратовръзки и шалове.



Общо указание за възможни опасности, които изискват особено внимание.



**Предупреждение!** Опасност от нараняване поради автоматично изтегляне! Изтеглящият механизъм стартира автоматично, веднага щом се постави материала. Дръжте настрана от изтеглящия механизъм дълги коси, вратовръзки, свободни части от облеклото и други незакрепени предмети.



Никога не посягайте директно в изтеглящия механизъм.



Дръжте настрана от шредера деаца и домашни животни.



Не пръскайте горими газове в посоката, в която се намира шредера. Никога не използвайте спрейове.



Въвеждайте едновременно максимално 8 листа в изтеглящия механизъм.



**Внимание!** Опасност от нараняване от остър режещ механизъм!



Въвеждайте кредитните карти само във вертикална посока.

## Контролиране на съдържанието на опаковката

Проверете съдържанието на опаковката на шредера, преди да го включите.

В никакъв случай не използвайте шредера, ако липсва нещо или има нещо повредено. Обърнете се към нашия сервиз.

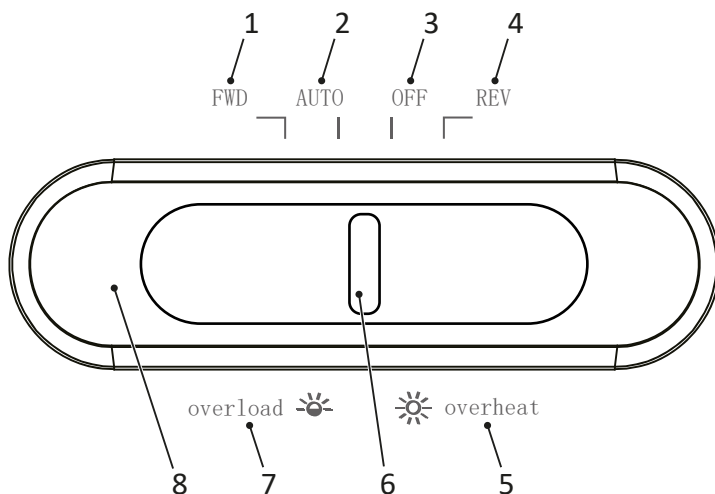
- Шредер OneShred 8CC с кош за нарязаните парченца.
- Ръководство за експлоатация
- 1 лист омаслена хартия

## Детайлно изображение на Вашия шредер

На следното изображение можете да видите отделните детайли на шредера.



1	Главен прекъсвач	5	Дръжка
2	Индикация за състоянието	6	Наблюдателно стъкло
3	Изтеглящ механизъм	7	Кош
4	Режещ механизъм		



1	Ръчен режим	5	Прегряване
2	Автоматичен режим	6	Главен прекъсвач
3	Уредът е изключен	7	Претоварване
4	Обратен ход	8	Индикация за състоянието

## Поставяне и включване на шредера

Шредерът функционира само с коша. Не поставяйте шредера в близост до топлинни източници и поддържайте разстояние от най-малко 10 см до стената. Това позволява достатъчно охлаждане на шредера.

- 1 Поставете коша стабилно върху гладка, хоризонтална повърхност и в близост до лесно достъпен контакт.
- 2 Поставете режещия механизъм върху коша. Режещият механизъм щраква при фиксиране. Ако режещият механизъм не е поставен правилно върху коша, шредерът не може да бъде включен.



### Внимание!

Опасност от нараняване от остър режещ механизъм! Долната част на режещия механизъм има остри ъгли. Хващайте режещия механизъм само за дръжките.

- 3 Поставете главния прекъсвач на позиция **OFF** и включете кабела в контакта.
- 4 Поставете главния прекъсвач на позиция **AUTO**.
  - ➔ Вече можете да използвате Вашия шредер. Индикацията за състоянието светва в синьо.

## Обслужване на шредера

Вашият шредер за унищожаване на документи работи с автоматично накъсване/раздробяване. Шредерът се обслужва чрез преместване на главния прекъсвач.

### Автоматично накъсване/раздробяване на материала

Спазвайте максимално допустимата мощност на рязане и другите, посочени в техническите характеристики спецификации.



#### Предупреждение!

Опасност от нараняване поради автоматично изтегляне! Изтеглящият механизъм стартира автоматично, веднага щом се постави материала. Дръжте настрана от изтеглящия механизъм дълги коси, вратовръзки, свободни части от облеклото и други незакрепени предмети.

### Важно!

Материални щети поради задръстване! Обърнете внимание на максималната мощност на рязане на изтеглящия механизъм.

- 1 Поставяйте материала за накъсване/раздробяване в средата на изтеглящия механизъм.
  - ➔ Изтеглящият механизъм изтегля материала и спира, ако не се постави друг материал.

### Ръчно накъсване/раздробяване на материал

В редки случаи сензорите не разпознават поставения материал.

- 1 Поставете главния прекъсвач на позиция **FWD**.
  - ➔ Материалът се изтегля ръчно и се накъсва/раздробява.
- 2 Поставете главния прекъсвач на позиция **OFF**.

### Изключване на шредера

Изключете шредера, когато не Ви е повече необходим.

- 1 Поставете главния прекъсвач на позиция **OFF**.
  - ➔ Вашият шредер е изключен.
- 2 Изключете щепсела от контакта, ако не използвате шредера за по-дълго време.



## Когато нещо не функционира

Следните указания ще Ви помогнат, ако нещо не функционира така както очаквате.

### Термостат

Шредерът се изключва автоматично, когато прегрее. Индикацията за състоянието светва в червено.

**1** Изчакайте най-малко 5 минути, докато шредерът се охлади. Съблюдавайте минималното разстояние за поставяне до стената и данните за непрекъсната експлоатация, посочени в техническите характеристики.

➔ След фазата на охлаждане индикаторът за състоянието светва в синьо и раздробяването продължава.

### Защита от претоварване

Ако сте поставили повече материал от посочения в техническите характеристики, индикацията за състоянието мига в червено и след 5 секунди шредерът се включва на обратен ход.

**1** Изтеглете материала от шредера.

➔ Отстранихте блокирането.

**1** След като се страни материалът от шредера, режещият механизъм продължава да се движи в продължение на 3 секунди, за да се почисти. Изчакайте, докато шредерът спре и индикацията светне в синьо.

### Смазване на режещия механизъм

Смазвайте на редовни интервали режещия механизъм на шредера, за да удължите срока на неговата експлоатация.

За шредерите на HP се предоставя специално масло и омаслени листове.

### Важно!

Материални щети поради използването на неправилни масла! Не използвайте маслени спрейове. Използвайте само специално масло за шредери.

Имате различни възможности за смазване на режещия механизъм.

### Смазване с омаслена от Вас хартия:

**1** Нанесете специалното масло за шредери на линии върху лист хартия.

**2** Поставете омасления лист хартия в изтеглящия механизъм.

➔ Намаслената хартия се изтегля и омаслява режещия механизъм.

## Смазване с омаслени листове

**1** Поставете омасления лист в изтеглящия механизъм.

→ Намастената хартия се изтегля и омаслява режещия механизъм.

## Изпразване на коша

Нивото на напълване на коша трябва редовно да се проверява от наблюдателното прозорче и да се изпразва, когато се напълни до около 80%. Така ще предотвратите задръстване на накъсания/раздробения материал и от тук неправилно функциониране.

**1** Поставете главния прекъсвач на позиция **OFF**.

**2** Изключете щепсела от контакта.



### Внимание!

Опасност от нараняване от остър режещ механизъм! Долната част на режещия механизъм има остри ъгли. Хващайте режещия механизъм само за дръжките.

**3** Вдигнете режещия механизъм от коша.

**4** Изпразнете коша.



### Внимание!

Опасност от нараняване от остър режещ механизъм! Долната част на режещия механизъм има остри ъгли. Хващайте режещия механизъм само за дръжките.

**5** Поставете режещия механизъм върху коша.

→ Коша се фиксира с кликване.

## Отстраняване на остатъци от материала

Ако шредерът не нарязва повече материала така както очаквате, отстранете остатъците от режещия механизъм.

- 1 Поставете главния прекъсвач на позиция **REV**. Режещият механизъм се включва в обратна посока и освобождава остатъчния материал.
- 2 Поставете главния прекъсвач на позиция **OFF**.
- 3 Изключете щепсела от контакта.
- 4 Вдигнете режещия механизъм от коша.



### Внимание!

Опасност от нараняване от остър режещ механизъм! Бъдете изключително внимателни, когато отстранявате остатъци от материала.

- 5 Отстранете внимателно остатъците от режещия механизъм като за целта използвате остър предмет.
- 6 Поставете режещия механизъм върху коша.

## Почистване на шредера

Почиствайте шредера на редовни интервали.




**Внимание!** Опасност от нараняване поради островръх пламък! При използване на спрейове може да се получи островръх пламък. Никога не използвайте спрейове.


- 1 Поставете главния прекъсвач на позиция **OFF**.
- 2 Изключете щепсела от контакта.
- 3 Почистете повърхността на уреда с мека, суха кърпа без власинки. Не използвайте спрейове, разтворители или почистващи препарати.

## Технически характеристики

Модел	Размери (mm)	Степен на безопасност съгласно DIN 66399-2	Размер на накъсаните парченца (дебелина × широчина, mm)	макс. мощност на рязане (листове / кредитни карти)	Работна широчина (mm)	Електрозахранване	Вместимост на коша (l)	Тегло (kg)	Сила на звука (dB)	Непрекъсната работа (мин.) / време за охлаждане (мин)	Работна скорост (m/min)	Вид на рязане
One Shred 8CC	Ш: 320 Д: 190 В: 416	P-4	5 × 18	8 / 1	220	220 - 240 V, 50 - 60 Hz, 1,2 A, 200 W	15	4,3	68	4 / 50	1,8	на парченца

## Рециклиране

 Този символ показва, че електрическите и електронните стари уреди трябва да се изхвърлят отделно от битовите отпадъци според законовите разпоредби. Изхвърлянето е безплатно. Рециклирайте Вашия уред в пункт за събиране на вторични суровини във Ваша близост. Изхвърляйте опаковъчните материали в съответствие с местните разпоредби.



## Указания за съхранение

След употреба шредерът трябва да се съхранява на безопасно място. Съблюдавайте следните указания:

Съхранявайте шредера

- само в оригиналната му опаковка
- на сухо и чисто място
- само в охладено състояние

## Въпроси и сервизно обслужване

Уважаеми клиенти,

благодарим Ви, че взехте решение да закупите този продукт.

Ако той не функционира според очакванията Ви, обърнете се към търговското предприятие, от където сте го закупили.

## Декларация за съответствие

Съгласно DIN 66399-2 потвърждаваме съответствието с посочените в спецификациите степени за безопасност.

 Знакът CE на уреда потвърждава това съответствие.

Декларацията за съответствие ще намерите на [www.hp.com/officeequipment](http://www.hp.com/officeequipment)

## Производител

GO Europe GmbH  
Zum Kraftwerk 1  
D-45527 Hattingen  
Германия

## Přečtení návodu k obsluze



Pozorně si přečtěte návod k obsluze a při manipulaci se skartovačem dodržujte bezpečnostní pokyny. Návod k obsluze uschovejte pro pozdější použití.

## Používání v souladu s určením

Váš skartovač je vhodný pro skartování papíru, kreditních karet, kancelářských svorek a sešivacích sponek. Skartovač je vhodný výhradně jen pro soukromé použití v uzavřených prostorech.

Jakékoliv jiné použití se považuje za použití neodpovídající účelu. Svévolné změny nebo přestavby nejsou přípustné a vedou ke ztrátě záruky.

## Dodržování bezpečnostních pokynů

Přečtěte si varovné pokyny a respektujte je, abyste chránili sebe i životní prostředí.



### Výstraha!

Nebezpečí poranění zaváděcím mechanismem. Volné předměty se mohou zaklesnout v zaváděcím otvoru a způsobit poranění. Vyvarujte se toho, abyste prsty, vlasy, šály, kravaty, šperky atd. měli v blízkosti zaváděcího otvoru.



### Výstraha!

Nebezpečí poranění elektrickým proudem. Nesprávná manipulace se skartovačem může vést k poranění elektrickým proudem. Není přístupné svévolné provádění změn nebo přestaveb na skartovači. Skartovač nepoužívejte s poškozeným síťovým kabelem. Pokud je skartovač dokumentů poškozen nebo nefunguje správně, okamžitě jej vypněte a vytáhněte síťovou zástrčku.

Opravy dovolte provádět pouze kvalifikovanému personálu. Skartovač postavte do blízkosti dobře přístupné zásuvky, aby tak mohl být v případě nouze rychle odpojen od elektrické sítě. Nikdy jej nechtejte mokřýma rukama. Zabraňte jakémukoli kontaktu s vodou.



### Výstraha!

Nebezpečí udušení vdechnutím či spolknutím malých dílů, obalových materiálů nebo ochranných fólií. Děti mohou spolknout malé díly, obalový materiál nebo ochranné fólie. Zařízení a jeho obal udržujte mimo dosah dětí.



### Výstraha!

Tento přístroj mohou používat děti od osmi let a osoby se sníženými fyzickými, smyslovými nebo duševními schopnostmi nebo nedostatkem zkušeností anebo vědomostí, jen pokud jej používají pod dozorem nebo byly instruovány o bezpečném zacházení s přístrojem a porozuměly z toho plynoucím rizikům. Děti si nesmí s přístrojem hrát. Čištění a uživatelskou údržbu nesmí děti provádět bez dozoru.



### Pozor!

Nebezpečí klopýtnutí v důsledku neodborně položeného síťového kabelu! Síťový kabel položte tak, aby o něj nikdo nemohl zakopnout. Dbejte na to, aby síťová zástrčka a síťový kabel nebyly poškozeny.



### Důležité!

Možné věcné škody. Zabraňte působení vlivů okolního prostředí, jako je např. kouř, prach, otřesy, chemikálie, vlhkost, horko nebo přímé sluneční záření.

Skartovač používejte pouze v uzavřených prostorech.

Dodržujte následující pokyny, aby váš skartovač stále pracoval podle očekávání.



Před uvedením do provozu si přečtěte návod k obsluze.



Dlouhé vlasy udržujte v dostatečné vzdálenosti od skartovače.



Volné součásti oděvu, šperky nebo jiné volné předměty udržujte v dostatečné vzdálenosti od skartovače.



Kravaty a šály udržujte v dostatečné vzdálenosti od skartovače.



Obecné upozornění na možná nebezpečí, která vyžadují vaše zvláštní pozornost.



**Varování!** Nebezpečí poranění automatickým vtažením. Zavádění se automaticky spustí, jakmile je vložen materiál. Volné součásti oděvu, kravaty, šperky, dlouhé vlasy nebo jiné volné předměty udržujte v dostatečné vzdálenosti od zaváděcího otvoru vašeho skartovače.



Nikdy nesahejte přímo do zaváděcího otvoru.



Děti a domácí zvířata udržujte v dostatečné vzdálenosti od vašeho skartovače.



Hořlavé plyny nestříkejte směrem ke skartovači. Nikdy nepoužívejte spreje pod tlakem.



Do zaváděcího otvoru současně vkládejte maximálně 8 listů.



**Opatrně!** Nebezpečí poranění o řezací mechanismus s ostrými hranami!



Kreditní karty zavádějte jen vertikálně.

## Kontrola obsahu balení

Před uvedením skartovače do provozu zkontrolujte obsah balení vašeho skartovače.

Pokud by něco chybělo nebo bylo poškozeno, skartovač v žádném případě neuvádějte do provozu. Obráťte se na náš servis.

- Skartovač OneShred 8CC se sběrnou nádobou pro odřezky
- Návod k obsluze
- 1 list naolejovaného papíru

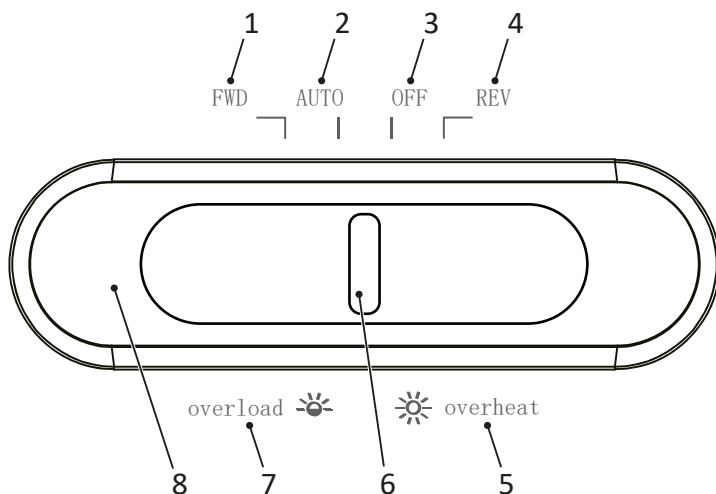
## Detaily vašeho skartovače

Na následujícím obrázku je detailně představen skartovač.



1	Hlavní vypínač	5	Rukojeť
2	Stavová indikace	6	Průhled
3	Zaváděcí otvor	7	Sběrná nádoba
4	Nástavec s řezným mechanismem		





1	Ruční provoz	5	Přehřátí
2	Automatický provoz	6	Hlavní vypínač
3	Přístroj vyp.	7	Přeplnění
4	Zpětný provoz	8	Stavová indikace

## Postavení a uvedení skartovače do provozu

Váš skartovač funguje jen se sběrnou nádobou. Skartovač nestavte do blízkosti tepelných zdrojů, od stěny by měl být vzdálen alespoň 10 cm. Skartovač se tak bude dostatečně ochlazovat.

- 1 Sběrnou nádobu stabilně postavte na hladký, rovný povrch a do blízkosti snadno přístupné zásuvky.
- 2 Na sběrnou nádobu nasadte nástavec s řezným mechanismem. Nástavec s řezným mechanismem slyšitelně zaskočí. Pokud nástavec s řezným mechanismem řádně nesedí na sběrné nádobě, nemůžete skartovač zapnout.



### Opatrně!

Nebezpečí poranění o řezací mechanismus s ostrými hranami! Spodní strana řezacího mechanismu má rohy s ostrými hranami. Řezné ústrojí uchopte jen za rukojeti.

- 3 Hlavní vypínač nastavte do polohy **OFF** a síťovou zástrčku připojte k zásuvce.
- 4 Hlavní vypínač nastavte do polohy **AUTO**.  
→ Uvedli jste skartovač do provozu. Stavová indikace svítí modře.

## Obsluha skartovače

Váš skartovač pracuje jen s automatickou skartací. Skartovač se ovládá posouváním hlavního vypínače.

### Automatická skartace materiálu

Respektujte maximálně přípustný řezný výkon a další specifikace uvedené v technických údajích.



#### Varování!

Nebezpečí poranění automatickým vtažením. Zavádění se automaticky spustí, jakmile je vložen materiál. Volné součásti oděvu, kravaty, šperky, dlouhé vlasy nebo jiné volné předměty udržujte v dostatečné vzdálenosti od zaváděcího otvoru vašeho skartovače.

### Důležité!

Věcné škody kvůli nahromadění materiálu! Respektujte maximální řezný výkon.

- 1 Materiál určený ke skartaci vložte do středu zaváděcího otvoru.
  - ➔ Zaváděcí otvor vtáhne skartovaný materiál a zastaví se, jestliže nebude zaveden další materiál.

### Ruční skartace materiálu

Občas senzory nerozpoznají zavedený materiál.

- 1 Hlavní vypínač nastavte do polohy **FWD**.
  - ➔ Materiál je ručně vtažen a skartován.
- 2 Hlavní vypínač nastavte do polohy **OFF**.

### Vypnutí skartovače

Skartovač vypněte, jestliže jej již nebudete potřebovat.

- 1 Hlavní vypínač nastavte do polohy **OFF**.
  - ➔ Skartovač je vypnutý.
- 2 Vytáhněte síťovou zástrčku ze zásuvky, jestliže nebudete skartovač po delší dobu používat.

## Pokud něco nefunguje

Následující pokyny vám pomohou, jestliže nebude něco fungovat tak, jak očekáváte.

### Ochranný systém proti přehřátí

Skartovač se při přehřátí automaticky vypne. Stavová indikace svítí červeně.

- 1** Počkejte minimálně 50 minut, až se skartovač ochladí. Dbejte na minimální vzdálenost od stěny a údaje k trvalému provozu uvedené v části Technické údaje.
  - ➔ Po fázi ochlazení bliká červená stavová indikace.
- 2** Hlavní vypínač nastavte do polohy **REV**.
- 3** Materiál vytáhněte ze skartovače.
  - ➔ Skartovač je zase připraven k provozu.

### Ochrana proti přeplnění

Pokud zavedete více materiálu než je uvedeno v technických údajích, začne stavová indikace blikat červeně a skartovač na 5 sekund spustí automatický zpětný běh.

- 1** Materiál vytáhněte ze skartovače.
  - ➔ Došlo k uvolnění zablokování.
- Po odstranění materiálu ze skartovače běží řezný mechanismus dále asi 3 sekundy, aby došlo k vyčištění. Počkejte, až zase zastaví skartovač a stavová indikace se rozsvítí modře.

### Naolejování řezného mechanismu

K prodloužení životnosti skartovače mažte v pravidelných intervalech řezací mechanismus skartovače olejem.

Pro skartovač HP můžete zakoupit speciální olej a naolejované listy.

#### Důležité!

Věcné škody při použití nesprávných olejů! Nepoužívejte rozprašovací oleje. Používejte výhradně jen speciální olej určený pro skartovače.

Máte různé možnosti k olejování řezného mechanismu.

#### Naolejování naolejovaným papírem:

- 1** Speciální olej pro skartovače naneste v několika pruzích příčně na list papíru.
- 2** Naolejovaný list papíru vložte do zaváděcího otvoru.
  - ➔ Papír potřísněný olejem se vtáhne a naolejuje řezací mechanismus.

## Naolejování naolejovanými listy

**1** Do zaváděcího otvoru vložte naolejovaný list papíru.

→ Papír potřísněný olejem se vtáhne a naolejuje řezací mechanismus.

## Vyprázdnění sběrné nádoby

Naplnění sběrné nádoby musíte kontrolovat pravidelně průhledem a vyprázdnit ji od úrovně naplnění asi 80 %. Tím zabráníte hromadění skartovaného materiálu, což by mohlo vést k chybným funkcím.

**1** Hlavní vypínač nastavte do polohy **OFF**.

**2** Vytáhněte zástrčku ze zásuvky.



**Opatrně!** Nebezpečí poranění o řezací mechanismus s ostrými hranami! Spodní strana řezacího mechanismu má rohy s ostrými hranami. Řezné ústrojí uchopte jen za rukojeti.

**3** Nadzvedněte nástavec s řezným mechanismem ze sběrné nádoby.

**4** Vyprázdněte sběrnou nádobu.



**Opatrně!**

Nebezpečí poranění o řezací mechanismus s ostrými hranami! Spodní strana řezacího mechanismu má rohy s ostrými hranami. Řezné ústrojí uchopte jen za rukojeti.

**5** Na sběrnou nádobu nasadte nástavec s řezným mechanismem.

→ Sběrná nádoba slyšitelně zaskočí.

## Odstranění zbytku materiálu

Pokud již skartovač neskartuje materiál tak, jak očekáváte, odstraňte z řezného mechanismu zbytky materiálu.

**1** Hlavní vypínač nastavte do polohy **REV**. Řezný mechanismus běží zpět a uvolní materiál nacházející se v řezném mechanismu.

**2** Hlavní vypínač nastavte do polohy **OFF**.

**3** Vytáhněte zástrčku ze zásuvky.

**4** Nadzvedněte nástavec s řezným mechanismem ze sběrné nádoby.



**Opatrně!**

Nebezpečí poranění o řezací mechanismus s ostrými hranami! Při odstraňování zbytků materiálu buďte velmi opatrní.

**5** Vhodným špičatým předmětem opatrně z řezného mechanismu odstraňte zbytky materiálu.

**6** Na sběrnou nádobu nasadte nástavec s řezným mechanismem.

## Čištění skartovače

Skartovač čistěte v pravidelných intervalech.



### Opatrně!


Nebezpečí poranění šlehovým plamenem! Při použití sprejů pod tlakem může vzniknout šlehový plamen. Nikdy nepoužívejte spreje pod tlakem.

- 1 Hlavní vypínač nastavte do polohy **OFF**.
- 2 Vytáhněte zástrčku ze zásuvky.
- 3 Povrch skříně vyčistěte měkkou a suchou utěrkou nepouštějící vlákna. Nepoužívejte žádné spreje s tlakovým vzduchem, čisticí prostředky nebo rozpouštědla.

## Technické údaje

Model	Rozměry (mm)	Bezpečnostní stupeň dle DIN 66399-2	Velké odřezky (tloušťka × šířka, mm)	Max. řezný výkon (listy / kreditní karta)	Pracovní šířka (mm)	Napájení	Kapacita sběrné nádoby (l)	Hmotnost (kg)	Hlasitost (dB)	Trvalý provoz (min) / doba trvání ochlazování (min)	Pracovní rychlost (m/min)	Způsob řezu
One-Shred 8CC	š: 320 d: 190 v: 416	P-4	5 × 18	8 / 1	220	220–240 V, 50–60 Hz, 1,2 A, 200 W	15	4,3	68	4 / 50	1,8	Řezání na částice

## Likvidace

 Vedle uvedený symbol znamená, že staré elektrické a elektronické přístroje musíte podle zákonných ustanovení zlikvidovat mimo domovní odpad. Likvidace je bezplatná. Přístroj nechte zlikvidovat na sběrném místě vašeho likvidátora komunálního odpadu. Obalové materiály likvidujte v souladu s místními předpisy.



## Pokyny ke skladování

Po použití musíte skartovač bezpečně uložit. Dodržujte následující pokyny:

Skartovač skladujte

- jen v originálním obalu
- na suchém, čistém místě
- jen po ochlazení

## Dotazy a služby


Vážená zákaznice, vážený zákazníku,

děkujeme vám, že jste se rozhodli pro tento výrobek.

Pokud by nefungoval tak, jak očekáváte nebo byl poškozený, obraťte se na prodejce, u kterého jste tento výrobek zakoupili.

## Prohlášení o shodě

Potvrzujeme shodu dle DIN 66399-2 s bezpečnostními stupni uvedenými ve specifikaci výrobku.

 Značka CE na přístroji potvrzuje shodu.

Prohlášení o shodě naleznete na [www.hp.com/officeequipment](http://www.hp.com/officeequipment)

## Výrobce

GO Europe GmbH  
Zum Kraftwerk 1  
D-45527 Hattingen  
Německo

## Læs brugervejledningen igennem



Læs brugervejledningen opmærksomt igennem og overhold oplysningerne heri vedrørende makulatorens håndtering. Opbevar brugervejledningen til en senere brug.

## Tilsigtet brug

Makulatoren er egnet til findeling af papir, kreditkort, klips og hæfteklammer. Makulatoren er kun egnet til privat brug i lukkede rum.

Alt anden brug er ikke tilsigtet. Egenhændige ændringer eller ombygninger er ikke tilladt og medfører, at garantien bortfalder.

## Overhold sikkerhedsanvisningerne

Læs og overhold advarslerne for at beskytte dig selv og miljøet.



### Advarsel!

Fare for kvæstelser pga. indtrækket. Løse genstande kan blive fanget i indtrækket og forårsage kvæstelser. Hold hænder, hår, halstørklæder, slips, smykker etc. væk fra indtrækket.



### Advarsel!

Fare for kvæstelser pga. strømstød. Forkert omgang med makulatoren kan medføre strømstød. Det er ikke tilladt at foretage egenhændige ændringer eller ombygninger på makulatoren. Brug ikke makulatoren med et beskadiget strømkabel. Sluk med det samme for makulatoren ved skader eller hvis den ikke fungerer korrekt og træk strømkablet ud.

Lad reparationer kun blive udført af faguddannede personer. Placer makulatoren i nærheden af en let tilgængelig stikdåse, så strømmen i nødstilfælde hurtigt kan slås fra. Tag aldrig om apparatet med våde hænder. Undgå enhver kontakt mellem apparat og vand.



### Advarsel!

Fare for kvælning pga. smådele, emballage eller beskyttelsesfilm. Børn kan komme til at sluge smådele, emballage eller beskyttelsesfilm. Hold børn væk fra apparatet og emballagen.



### Advarsel!

Dette apparat kan bruges af børn fra otte år og over samt af personer med nedsat fysiske, sensoriske eller mentale evner eller mangel på erfaring og/eller viden, hvis de er under opsyn eller er blevet instrueret i apparatets sikre brug samt om farerne ved brugen. Børn må ikke lege med apparatet. Børn må ikke rengøre eller vedligeholde apparatet uden opsyn.

**Forsigtig!**

Der er fare for at snuble, hvis strømkablet er udlagt forkert. Udlæg strømkablet således, at ingen kan snuble over det. Sørg for, at der ikke kan ske skader på stikket eller kablet.

**Vigtigt!**

Tingsskader kan forekomme. Indflydelser fra omgivelsen, som f.eks. røg, støv, rystelser, kemikalier, fugt, varme eller direkte sollys skal undgås.

Brug kun makulatoren i lukkede rum.

Overhold de følgende anvisninger, så makulatoren altid fungerer som ønsket.



Læs brugervejledningen igennem før brug.



Hold langt hår væk fra makulatoren.



Hold løse dele fra tøj, smykker eller andre løse genstande væk fra makulatoren.



Hold slips og halstørklæder væk fra makulatoren.



Generel henvisning til mulige farer, som kræver opmærksomhed.



**Advarsel!** Fare for kvæstelser på det automatiske indtræk! Indtrækket starter automatisk, når der tilføres materiale. Hold langt hår, slips, smykker, løse dele fra tøj, andre løse genstande væk fra makulatoren's indtræk.



Grib aldrig direkte ind i indtrækket.



Hold børn og husdyr væk fra makulatoren.



Sprøjt aldrig brandfarligt gas hen mod makulatoren. Brug aldrig tryklufsprays.



Indfør maksimalt 8 ark samtidigt i indtrækket.



**Forsigtig!** Fare for kvæstelser på det skarpe skæreværk!



Før kun kreditkort vertikalt ind i indtrækket.



## Kontrol af emballagens indhold

Kontrollér indholdet af makulatorens emballage, før makulatoren tages i brug.

Mangler der noget eller er noget blevet beskadiget, må makulatoren ikke bruges. Henvend dig til vores service.

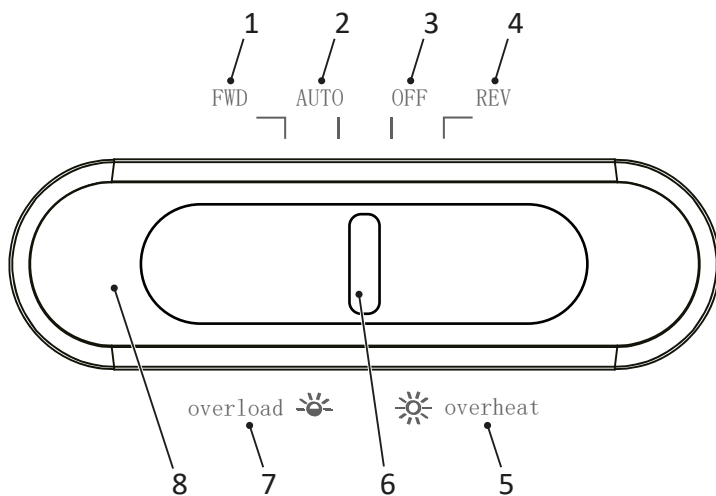
- Makulator OneShred 8CC med opsamlingsbeholder til affald
- Brugervejledning
- 1 ark oliepapir

## Oversigt over din makulator

Det følgende billede viser en oversigt over din makulator.



1	Kontakt	5	Håndtag
2	Statusmelding	6	Rude
3	Indtræk	7	Opsamlingsbeholder
4	Skæreværksdel		



1	Manuel drift	5	For høj varme
2	Automatisk drift	6	Kontakt
3	Apparat fra	7	Overbelastning
4	Baglæns brug	8	Statusmelding

## Stil makulatoren op og tag den i brug

Din makulator fungerer kun sammen med opsamlingsbeholderen. Stil ikke makulatoren i nærheden af varme kilder og hold en afstand på mindst 10 cm til væggen. På den måde bliver makulatoren kølet nok af.

- 1 Placer opsamlingsbeholderen stabilt på en plan, vandret overflade og i nærheden af en let tilgængelig stikdåse.
- 2 Sæt skæreværkdelen på opsamlingsbeholderen. Skæreværkdelen går i hak. Når skæreværkdelen ikke sidder korrekt på opsamlingsbeholderen, kan makulatoren ikke tilsluttes.



### Forsigtig!

Fare for kvæstelser på det skarpe skæreværk! Skæreværkets underside har skarpe hjørner. Tag kun fat i skæreværket i håndtagene.

- 3 Skub kontakten mod **OFF** og sæt stikket i stikdåsen.
- 4 Skub kontakten mod **AUTO**.
  - ➔ Makulatoren er sat i drift. Statusmeldingen lyser blåt.

## Betjening af makulatoren

Makulatoren finder materialet automatisk. Makulatoren betjenes ved at skubbe kontakten frem eller tilbage.

### Automatisk findeling af materiale

Den maksimalt tilladte skæreydelse samt andre oplysninger i de tekniske data.



#### Advarsel!

Fare for kvæstelser på det automatiske indtræk! Indtrækket starter automatisk, når der tilføres materiale. Hold langt hår, slips, smykker, løse dele fra tøj, andre løse genstande væk fra makulatorens indtræk.

### Vigtigt!

Tingsskader pga. materialekø! Vær opmærksom på indtrækkets maksimale skæreydelse.

**1** Indfør materialet, der skal findeles, midt i indtrækket.

→ Indtrækket trækker materialet ind og stopper, når der ikke tilføres yderligere materiale.

### Manuel findeling af materiale

I nogle tilfælde registrerer sensorerne ikke det indførte materiale.

**1** Skub her kontakten mod **FWD**.

→ Materialet trækkes manuelt ind og findeles.

**2** Skub kontakten mod **OFF**.

### Sluk for makulatoren

Sluk for makulatoren, når den ikke længere skal bruges.

**1** Skub kontakten mod **OFF**.

→ Makulatoren er slukket.

**2** Træk stikket ud af stikdåsen, hvis makulatoren ikke skal bruges over en længere tid.

## Hvis noget ikke fungerer

De følgende henvisninger hjælper, hvis noget ikke fungerer som forventet.

### Beskyttelse mod for høj varmedannelse

Makulatoren slås automatisk fra, hvis den bliver for varm. Statusmeldingen lyser rødt.

- 1 Vent mindst 50 minutter, indtil makulatoren er kølet af. Overhold minimumsafstanden til væggen samt oplysningerne om kontinuerlig brug i de tekniske data.
  - ➔ Statusmeldingen lyser blå efter afkølingen, og findelingen fortsættes.

### Beskyttelse mod overbelastning

Har du tilført mere materiale end angivet i de tekniske data, blinker statusmeldingen rødt og makulatoren kører automatisk baglæns i 5 sekunder.

- 1 Træk materialet ud af makulatoren.
  - ➔ Blokering er fjernet.
- Når der blev fjernet materiale fra makulatoren, drejer skæreværket 3 sekunder for at rense sig.
  - 1 Vent, indtil makulatoren igen er standset og statusmeldingen lyser blå.

### Smøring af skæreværk

Smør makulatorens skæreværk med jævne mellemrum for at forlænge makulatorens brugstid.

Der fås specialolie og oliepapirer til makulatorer fra HP.

### Vigtigt!

Tingsskader hvis der bruges en forkert type olie! Brug ingen sprayolier. Brug kun en specialolie til makulatorer.

Du kan smøre skæreværket på forskellige måder.

#### Smøring med papir, der er påført olie:

- 1 Påfør specialolien til makulatorer i flere tværgående linjer på et ark papir.
- 2 Indfør det oliesmurte papir i indtrækket.
  - ➔ Papiret trækkes ind og smører skæreværket.

#### Smøring med olieark

- 1 Indfør oliearket i indtrækket.
  - ➔ Papiret trækkes ind og smører skæreværket.

## Tømning af opsamlingsbeholder

Opsamlingsbeholderens niveau skal kontrolleres jævnligt gennem ruden. Den skal tømmes, når den er ca. 80 % fyldt. Dermed undgås det, at det findelte materiale ophobes, hvilket medfører fejlfunktioner.

- 1 Skub kontakten mod **OFF**.
- 2 Træk stikket ud af stikdåsen.



### Forsigtig!

Fare for kvæstelser på det skarpe skæreværk! Skæreværkets underside har skarpe hjørner. Tag kun om skæreværket med håndtagene.

- 3 Løft skæreværkdelen af beholderen.
- 4 Tøm beholderen.



### Forsigtig!

Fare for kvæstelser på det skarpe skæreværk! Skæreværkets underside har skarpe hjørner. Tag kun om skæreværket med håndtagene.

- 5 Sæt skæreværkdelen på beholderen.
- Opsamlingsbeholderen går tydeligt i hak.

## Fjern materialerester

Findeler makulatorene ikke længere som ønsket, skal fastsiddende materialerester fjernes fra skæreværket.

- 1 Skub kontakten mod **REV**. Skæreværket kører bagud og fjerner materialet fra skæreværket.
- 2 Skub kontakten mod **OFF**.
- 3 Træk stikket ud af stikdåsen.
- 4 Løft skæreværkdelen af beholderen.



### Forsigtig!

Fare for kvæstelser på det skarpe skæreværk! Arbejd meget forsigtigt, når materialerester skal fjernes.

- 5 Fjern materialerester med en egnet spids genstand fra skæreværket.
- 6 Sæt skæreværkdelen på beholderen.

## Rengøring af makulator

Rengør makulatoren med jævne mellemrum.




**Forsigtig!** Fare for kvæstelser pga. stikflamme! Der kan opstå stikflammer, hvis der bruges en tryklufspray. Brug aldrig tryklufsprays.

- 1 Skub kontakten mod **OFF**.
- 2 Træk stikket ud af stikdåsen.
- 3 Rengør husets overflader med en blød, tør og fnugfri klud. Brug ingen tryklufsprays, rengørings- eller opløsningsmidler.

## Tekniske data

Model	Mål (mm)	Sikkerhedsklassificering iht. DIN 66399-2	Størrelse affald (tykkelse × bredde, mm)	Maks. skæreydelse (ark/kreditkort)	Arbejdsbredde (mm)	Strømforsyning	Rumfang opsamlingsbeholder (l)	Vægt (kg)	Lydstyrke (dB)	Kontinuerlig drift (min)/afkøling (min)	Arbejdshastighed (m/min)	Skæretype
One Shred 8CC	B: 320 L: 190 H: 416	P-4	5 × 18	8 / 1	220	220 - 240 V, 50 - 60 Hz, 1,2 A, 200 W	15	4,3	68	4 / 50	1,8	Parti- kelsnit

## Bortskaffelse

 Symbolet ved siden af angiver, at elektrisk og elektronisk affald skal bortskaffes adskilt fra almindeligt husholdningsaffald. Bortskaffelsen er gratis. Aflever apparatet til særlig affaldsindsamling. Bortskaf emballage iht. lokale forskrifter.



## Henvisninger til opbevaring

Makulatorene skal opbevares korrekt efter brug. Overhold følgende anvisninger:

Opbevar makulatorene

- kun i den originale emballage
- på et tørt, rent sted
- kun i afkølet tilstand

## Spørgsmål og service

Kære kunde.

Tak fordi du har købt dette produkt.

Fungerer det ikke som forventet eller er det defekt, bedes du henvende dig til den forhandler, hvor du har købt produktet.

## Overensstemmelseserklæring

Vi bekræfter overensstemmelsen iht. DIN 66399-2 med de sikkerhedsklassificeringer der er angivet i produktspecifikationen.

 CE-mærket på apparatet bekræfter overensstemmelsen.

Overensstemmelseserklæringen findes under [www.hp.com/officeequipment](http://www.hp.com/officeequipment)

## Producent

GO Europe GmbH  
Zum Kraftwerk 1  
D-45527 Hattingen  
Tyskland

## Leer el manual de instrucciones



Lea el manual de instrucciones atentamente y tenga en cuenta las advertencias relativas al manejo de la destructora de documentos. Guarde el manual de instrucciones para cualquier utilización posterior.

## Uso previsto

La destructora de documentos ha sido concebida para triturar papel, tarjetas de crédito, clips y grapas. La destructora de documentos ha sido concebida exclusivamente para el uso particular en habitaciones cerradas.

Cualquier otro uso será considerado no previsto. Se prohíbe expresamente cualquier modificación o transformación; estas implican la pérdida de la garantía.

## Tener en cuenta las advertencias de seguridad

Lea y tenga en cuenta las advertencias de aviso para protegerse a sí mismo y al medio ambiente.



### ¡Aviso!

Peligro de lesiones provocado por el mecanismo de arrastre. Los objetos sueltos se pueden quedar enganchados en la entrada y provocar lesiones. Evite, en todo caso, que los dedos, el pelo, las bufandas, las corbatas, la bisutería, etc. se acerquen a la entrada.



### ¡Aviso!

Existe peligro de sufrir lesiones provocadas por descargas eléctricas. El manejo erróneo de la destructora de documentos puede provocar descargas eléctricas. Se prohíbe expresamente cualquier modificación o transformación de la destructora de documentos por cuenta propia. No utilice la destructora de documentos si el cable de red presenta daños. Apague la destructora de documentos y saque la clavija de alimentación en caso de observar cualquier daño o funcionamiento incorrecto.

Encomiende las reparaciones exclusivamente a personal especializado cualificado. Emplace la destructora de documentos cerca de una toma de corriente fácilmente accesible para que se pueda separar la destructora de documentos rápidamente de la red de corriente, en caso de emergencia. Jamás se debe tocar con las manos húmedas. Evitar cualquier contacto con agua.



### ¡Aviso!

Peligro de asfixia provocado por piezas pequeñas, materiales de embalaje o películas de protección. Los niños pueden ingerir piezas pequeñas, materiales de embalaje o películas de protección. Mantener a los niños alejados del aparato y de su embalaje.



**¡Aviso!**

Los niños a partir de ocho años y las personas con capacidades físicas, sensoriales o psíquicas limitadas o sin la experiencia y/o el conocimiento suficiente, podrán utilizar este aparato únicamente bajo supervisión, o en caso de haber recibido instrucciones acerca del uso seguro del aparato y de haber comprendido los peligros resultantes. Los niños no deben jugar con el dispositivo. Los niños no deben llevar a cabo ni la limpieza ni el mantenimiento del aparato, a no ser que lo hagan bajo supervisión.

**¡Precaución!**

Existe peligro de tropezarse si el cable de red no está instalado correctamente. Instale el cable de red de tal modo que nadie pueda tropezar. Preste atención a que no se produzcan daños ni en la clavija de alimentación ni en el cable de red.

**¡Importante!**

Se pueden producir daños materiales. Evitar las influencias ambientales como, por ejemplo, humo, polvo, vibraciones, sustancias químicas, humedad, calor o radiación solar directa.

Utilice la destructora de documentos solo en habitaciones cerradas.

Tenga en cuenta las siguientes advertencias para que su destructora de documentos funcione siempre cumpliendo sus expectativas.



Lea detenidamente el manual de instrucciones antes de la puesta en servicio.



Mantenga alejado el pelo largo de la destructora de documentos.



Mantenga alejadas de la destructora de documentos las partes sueltas de la ropa, bisutería u otros objetos sueltos.



Mantenga alejadas las corbatas y bufandas de la destructora de documentos.



Advertencia general sobre posibles peligros que requieren su atención especial.



**¡Aviso!** ¡Peligro de lesiones provocado por la entrada automática! La entrada arranca automáticamente en cuanto se suministra material. El pelo largo, las corbatas, la bisutería, la ropa holgada así como otros objetos sueltos deben mantenerse alejados de la entrada de la destructora de documentos.



No introduzca las manos directamente en la entrada de papel.



Mantenga alejados los niños y las animales domésticos de la destructora de documentos.



No proyecte gases inflamables en sentido a la destructora de documentos. Jamás utilice aerosoles de aire a presión.



Como máximo puede introducir 8 hojas al mismo tiempo en la entrada.



**¡Precaución!** ¡Peligro de lesiones provocado por el cabezal destructor afilado!



Introduzca las tarjetas de crédito solo en sentido vertical.

## Comprobar el contenido del embalaje

Compruebe el contenido del embalaje de su destructora de documentos antes de ponerla en servicio.

Si falta algo o si detecta algún daño, no debe poner la destructora de documentos en servicio bajo ninguna circunstancia. Póngase en contacto con nuestro Servicio Técnico.

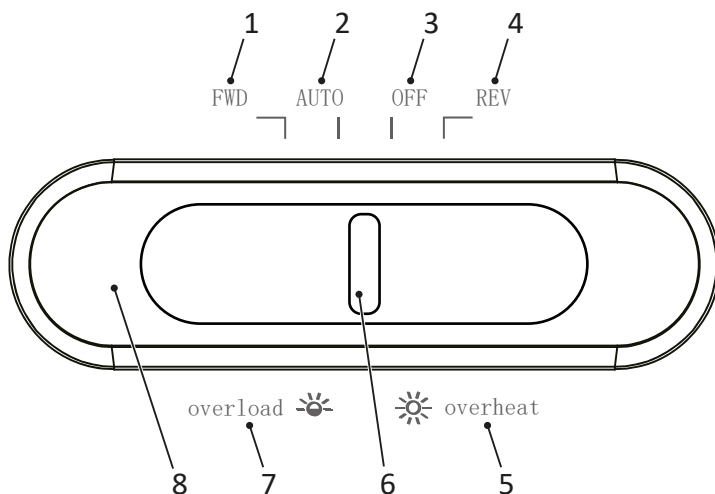
- Destruidora de documentos OneShred 8CC con depósito de recogida para el material cortado
- Manual de instrucciones
- 1 hoja de papel aceitado

## La destructora de documentos en detalle

La siguiente figura muestra la destructora de documentos en detalle.



1	Interruptor principal	5	Asa
2	Indicación de estado	6	Ventana de control visual
3	Entrada	7	Depósito de recogida
4	Cubierta del cabezal destructor		



1	Funcionamiento manual	5	Sobrecalentamiento
2	Funcionamiento automático	6	Interruptor principal
3	Aparato apagado	7	Sobrecarga
4	Funcionamiento hacia atrás	8	Indicación de estado

## Instalar y poner en servicio la destructora de documentos

La destructora de documentos solo funciona con el depósito de recogida. No coloque la destructora de documentos cerca de fuentes de calor y mantenga una distancia de al menos 10 cm hasta la pared. Así se consigue que la destructora de documentos esté suficientemente refrigerada.

- 1 Coloque el depósito de recogida de forma segura sobre una superficie horizontal nivelada y cerca de una toma de corriente fácilmente accesible.
- 2 Coloque la cubierta del cabezal destructor sobre el depósito de recogida. La cubierta del cabezal destructor encaja de forma audible. Si la cubierta del cabezal destructor no se encuentra colocada correctamente en el depósito de recogida, no es posible encender la destructora de documentos.



### ¡Precaución!

¡Peligro de lesiones provocado por el cabezal destructor afilado! La parte inferior del cabezal destructor tiene esquinas afiladas. Coja el cabezal destructor solo con las asas.

- 3 Deslice el interruptor principal a la posición **OFF** y conecte la clavija de alimentación a la caja de enchufe.
- 4 Deslice el interruptor principal a la posición **AUTO**.
  - ➔ La destructora de documentos se ha puesto correctamente en servicio. La indicación de estado se ilumina en azul.

## Manejo de la destructora de documentos

La destructora de documentos trabaja con destrucción automática. La destructora de documentos se controla moviendo el interruptor principal.

### Destruir material automáticamente

Tenga en cuenta la máxima capacidad de corte admisible y las demás especificaciones que figuran en los datos técnicos.



#### ¡Aviso!

¡Peligro de lesiones provocado por la entrada automática! La entrada arranca automáticamente en cuanto se suministra material. El pelo largo, las corbatas, la bisutería, la ropa holgada así como otros objetos sueltos deben mantenerse alejados de la entrada de la destructora de documentos.

### ¡Importante!

¡Los atascos de material pueden provocar daños materiales! Tenga en cuenta la máxima capacidad de corte de la entrada de material.

- 1 Introduzca el material a destruir por el medio de la entrada de papel.
  - ➔ La entrada recoge el material y se detiene cuando se deja de introducir material.

### Destruir material manualmente

En muy pocos casos puede ocurrir que los sensores no detecten el material introducido.

- 1 Deslice el interruptor principal a la posición **FWD**.
  - ➔ El material es arrastrado y triturado manualmente.
- 2 Deslice el interruptor principal a la posición **OFF**.

### Apagar la destructora de documentos

Apague la destructora de documentos cuando no la necesite.

- 1 Deslice el interruptor principal a la posición **OFF**.
  - ➔ Usted ha apagado la destructora de documentos correctamente.
- 2 Desconecte el cable de alimentación de la toma de corriente cuando no vaya a utilizar la destructora de documentos durante un período prolongado.

## Si hay algo que no funciona

Las siguientes advertencias le ayudan cuando algo no funciona como es debido.

### Protección contra sobrecalentamientos

La destructora de documentos se apaga automáticamente en caso de sobrecalentamiento. La indicación de estado se ilumina en rojo.

**1** Espere al menos 50 minutos hasta que la destructora de documentos se haya enfriado. Tenga en cuenta la distancia mínima a la pared y las indicaciones sobre servicio permanente que figuran en los datos técnicos.

➔ Después de la fase de enfriamiento se ilumina la indicación de estado en azul y la destrucción continúa.

### Protección contra sobrecarga

En caso de introducir más material de lo que figura en los datos técnicos, la indicación de estado parpadea en rojo y la destructora de documentos inicia durante 5 segundos el retroceso automático.

**1** Saque el material de la destructora de documentos.

➔ El bloqueo se ha eliminado.

**1** Una vez retirado el material de la destructora de documentos, el cabezal destructor se sigue moviendo durante 3 segundos para limpiarse. Espere hasta que la destructora de documentos vuelva a quedarse parada y la indicación de estado se ilumine en azul.

### Lubricación del cabezal destructor

Debe aceitar el cabezal destructor de la destructora de documentos periódicamente para alargar la vida útil de la destructora de documentos.

HP ofrece aceite especial y hojas aceitadas para destructoras de documentos.

#### ¡Importante!

¡El uso de aceites incorrectos puede originar daños materiales! No utilizar aceites para rociar. Utilizar exclusivamente aceite especial para destructoras de documentos.

Existen varias posibilidades para aceitar el cabezal destructor.

#### Aceitar con papel aceitado por el cliente:

**1** Aplique aceite especial sobre una hoja de papel en varias líneas transversales.

**2** Introduzca la hoja de papel aceitada en la entrada de papel.

➔ El papel humectado con aceite es arrastrado y se encarga de aceitar el cabezal destructor.

## Aceitar con hojas aceitadas

- 1 Introduzca la hoja de papel aceitado en la entrada.
  - El papel humectado con aceite es arrastrado y se encarga de aceitar el cabezal destructor.

## Vaciado del depósito de recogida

El nivel de llenado del depósito de recogida debe controlarse periódicamente a través de la ventana de control visual y se debe vaciar el depósito de recogida cuando alcance un nivel de llenado de aproximadamente el 80 %. De este modo, se puede evitar la acumulación de material triturado y, al mismo tiempo, errores en el funcionamiento.

- 1 Deslice el interruptor principal a la posición **OFF**.
- 2 Desenchufe el cable de alimentación de la toma de corriente.



### ¡Precaución!

¡Peligro de lesiones provocado por el cabezal destructor afilado! La parte inferior del cabezal destructor tiene esquinas afiladas. Coja el cabezal destructor solo con las asas.

- 3 Separe la cubierta del cabezal destructor del depósito de recogida.
- 4 Vacíe el depósito de recogida.



### ¡Precaución!

¡Peligro de lesiones provocado por el cabezal destructor afilado! La parte inferior del cabezal destructor tiene esquinas afiladas. Coja el cabezal destructor solo con las asas.

- 5 Coloque la cubierta del cabezal destructor sobre el depósito de recogida.
  - El depósito de recogida encaja de forma audible.

## Eliminar restos de material

Si la destructora de documentos no destruye el material correctamente, debe retirar los posibles restos de material del cabezal destructor.

- 1 Deslice el interruptor principal a la posición **REV**. El cabezal destructor marcha hacia atrás soltando el material que se haya quedado en el cabezal destructor.
- 2 Deslice el interruptor principal a la posición **OFF**.
- 3 Desenchufe el cable de alimentación de la toma de corriente.
- 4 Separe la cubierta del cabezal destructor del depósito de recogida.



### ¡Precaución!

¡Peligro de lesiones provocado por el cabezal destructor afilado! Proceda con especial precaución al retirar los restos de material.

- 5 Retire los restos de material con un objeto adecuado con punta con cuidado del cabezal destructor.
- 6 Coloque la cubierta del cabezal destructor sobre el depósito de recogida.

## Limpiar la destructora de documentos

Limpiar la destructora de documentos periódicamente.



### ¡Precaución!


¡Peligro de lesiones provocado por llamaradas! La utilización de aerosol de aire a presión puede originar llamaradas. Jamás utilice aerosoles de aire a presión.

- 1 Deslice el interruptor principal a la posición **OFF**.
- 2 Desenchufe el cable de alimentación de la toma de corriente.
- 3 Limpie la superficie de la carcasa con un paño suave y libre de hilachas que esté seco. No utilice aerosoles de aire a presión, detergentes no disolventes.

## Datos técnicos

Modelo	Dimensiones (mm)	Nivel de seguridad según norma DIN 66399-2	Tamaño del material cortado (espesor × anchura, mm)	Capacidad máxima de corte (hojas/tarjeta de crédito)	Anchura de trabajo (mm)	Alimentación eléctrica	Capacidad del depósito de recogida (l)	Peso (kg)	Volumen (dB)	Servicio permanente (min) / período de enfriamiento (min)	Velocidad de trabajo (m/min)	Tipo de corte
One Shred 8CC	B: 320 L: 190 H: 416	P-4	5 × 18	8 / 1	220	220 - 240 V, 50 - 60 Hz, 1,2 A, 200 W	15	4,3	68	4 / 50	1,8	Corte en partículas

## Eliminación

 El símbolo adjunto significa que, debido a las disposiciones legales, los aparatos eléctricos y electrónicos usados deben eliminarse separándolos de la basura doméstica. La eliminación es gratuita. Elimine el aparato a través del punto de recogida de su organismo de eliminación competente. Deseche los materiales de embalaje conforme a las prescripciones locales.



## Advertencias sobre el almacenamiento

Después de su uso, debe guardarse la destructora de documentos en un sitio seguro. Tenga en cuenta las siguientes advertencias:

Almacene la destructora de documentos:

- Solo en su embalaje original
- En un lugar seco y limpio
- Solo en estado enfriado

## Preguntas y Servicio Técnico

Estimado cliente:

Muchas gracias por haberse decidido por este producto.

Si alguna vez no funcionara como usted lo espera o si presentara algún defecto, rogamos que se ponga en contacto con el distribuidor donde ha adquirido este producto.

## Declaración de conformidad

Confirmamos la conformidad según norma DIN 66399-2 con los niveles de seguridad indicados en la especificación del producto.



El marcado CE en el aparato confirma la conformidad.

Encontrará la declaración de conformidad en [www.hp.com/officeequipment](http://www.hp.com/officeequipment)

## Fabricante

GO Europe GmbH  
Zum Kraftwerk 1  
D-45527 Hattingen  
Alemania



## Lue käyttöohje



Lue käyttöohje huolellisesti ja noudata asiakirjasilppurin käsittelyä koskevia ohjeita. Säilytä käyttöohjetta huolellisesti myöhempiä tarvetta varten.

## Määräystenmukainen käyttö

Asiakirjasilppuri sopii paperiarkkien, luottokorttien, paperiliittimien ja nitomahakasten pilkkomiseen. Asiakirjasilppuri soveltuu vain yksityiskäyttöön suljetuissa tiloissa.

Kaikki muu käyttö on määräystenvastaista käyttöä. Omavaltaiset muutokset tai lisäasennukset eivät ole sallittuja ja johtavat takuun raukeamiseen.

## Huomioi turvallisuusohjeet

Lue varoitusohjeet ja noudata niitä ympäristön suojelemiseksi.



### Varoitus!

Vammautumisvaara sisäänvetomekanismin vuoksi. Irralliset esineet voivat joutua syöttöaukkoon ja tästä voi aiheutua vammoja. Pidä sormet, hiukset, kaulahuivit, solmiot, korut jne. loitolla.



### Varoitus!

Vammautumisvaara sähköiskun vuoksi. Asiakirjasilppurin virheellinen käsittely voi aiheuttaa sähköiskun. Omavaltaiset muutokset tai lisäasennukset asiakirjasilppuriin eivät ole sallittuja. Älä käytä asiakirjasilppuria, jos sen virtajohto on vioittunut. Kytke asiakirjasilppuri heti pois päältä ja irrota virtapistoke pistorasiasta, jos asiakirjasilppuri on vahingoittunut tai se ei toimi asianmukaisesti.

Teetä korjaukset vain pätevällä ammattihenkilöllä. Aseta asiakirjasilppuri helposti käsiteltävän pistorasian lähelle, jotta asiakirjasilppuri voidaan hätätilanteessa irrottaa nopeasti sähköverkosta. Älä koskaan tartu märin käsin. Vältä kosketusta veteen.



### Varoitus!

Pienosien, pakkausmateriaalien tai suojakelmujen aiheuttama tukehtumisvaara. Lapset voivat niellä pienosia, pakkausmateriaaleja tai suojakelmuja. Pidä lapset loitolla laitteesta ja sen pakkauksesta.



### Varoitus!

Tätä laitetta voivat käyttää yli kahdeksanvuotiaat lapset ja sellaiset henkilöt, joiden fyysinen, sensorinen tai henkinen toimintakyky on alentunut tai joilla on puutteellinen kokemus ja/tai puutteelliset tiedot, jos heitä valvotaan tai heitä ohjeistetaan laitteen turvalliseen käyttöön ja he ymmärtävät käyttöön liittyvät mahdolliset vaarat. Lapset eivät saa leikkiä laitteella. Lapset eivät saa suorittaa puhdistus- ja huoltotoimia ilman valvontaa.



### Huomio!

Virheellisesti asetetun virtajohdon aiheuttama kompastumisvaara. Aseta virtajohto niin, ettei kukaan voi kompastua siihen. Varmista, etteivät virtapistoke ja virtajohto voi vahingoittua.



## Tärkeää!

Aineelliset vahingot mahdollisia. Vältä ympäristövaikutuksia, kuten esim. savua, pölyä, tärinää, kemikaaleja, kosteutta, kuumuutta tai suoraa auringonvaloa.

Käytä asiakirjasilppuria vain suljetuissa tiloissa.

Huomioi seuraavat ohjeet, että asiakirjasilppuri toimii aina odotetulla tavalla.



Lue käyttöohje ennen käyttöönottoa.



Pidä pitkät hiukset loitolla asiakirjasilppurista.



Pidä vaatteiden irt-osat, korut ja muut irralliset esineet loitolla asiakirjasilppurista.



Pidä solmiot ja kaulahuivit loitolla asiakirjasilppurista.



Yleinen huomautus mahdollisista vaaroista, jotka on huomioitava erityisesti.



**Varoitus!** Automaattisen sisäänvedon aiheuttama vammautumisvaara! Sisäänveto käynnistyy automaattisesti heti, kun materiaalia syötetään. Pidä pitkät hiukset, solmiot, korut, vaatteiden irt-osat ja muut irralliset esineet loitolla asiakirjasilppurin syöttöaukosta.



Älä koskaan laita käsiäsi suoraan syöttöaukkoon.



Pidä lapset ja lemmikkieläimet loitolla asiakirjasilppurista.



Älä suihkuta palavaa kaasua asiakirjasilppurin suuntaan. Älä koskaan käytä paineilmasuihkeita.



Laita enintään 8 paperiarkkia samanaikaisesti syöttöaukkoon.



**Huomio!** Teräväreunaisen leikkurin aiheuttama vammautumisvaara!



Ohjaa luottokortit sisään vain pystyasennossa.

## Pakkauksen sisällön tarkastaminen

Tarkasta asiakirjasilppurin pakkauksen sisältö ennen kuin otat asiakirjasilppurin käyttöön.

Jos jotain puuttuu tai on vahingoittunut, ei asiakirjasilppuria missään tapauksessa saa ottaa käyttöön. Ota yhteyttä asiakaspalveluumme.

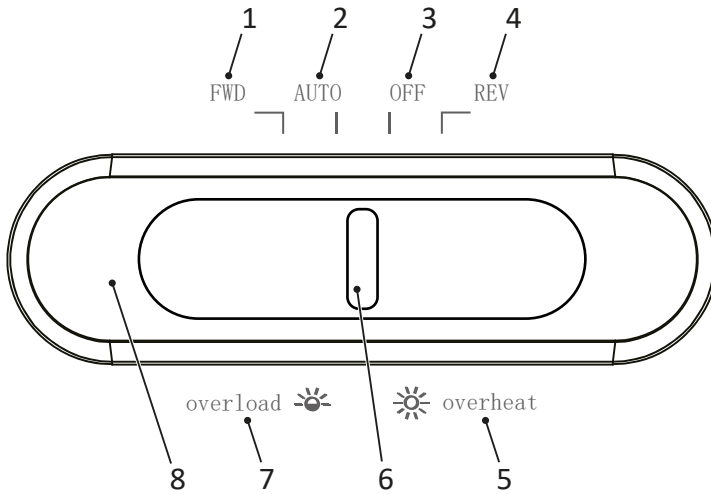
- OneShred 8CC -asiakirjasilppuri leikkeitä varten
- Käyttöohje
- 1 arkki öljypaperia

## Asiakirjasilppuri yksityiskohtaisesti

Seuraavassa kuvassa asiakirjasilppuri esitetään yksityiskohtaisesti.



1	Pääkytkin	5	Kahva
2	Tilanäyttö	6	Tarkistusikkuna
3	Syöttöaukko	7	Keräyssäiliö
4	Leikkuuos		



1	Käsikäyttö	5	Ylikuumentuminen
2	Automaattikäyttö	6	Pääkytkin
3	Laite pois päältä	7	Ylitäyttö
4	Käyttö vastasuuntaan	8	Tilanäyttö

## Asiakirjasilppurin asettaminen paikalleen ja käyttöön ottaminen

Asiakirjasilppuri toimii vain keräyssäiliön kanssa. Älä aseta asiakirjasilppuria lämmönlähteiden lähelle ja varmista, että laitteen ja seinän väliin jää vähintään 10 cm tilaa. Näin asiakirjasilppurin jäähdytys toimii riittävästi.

- 1 Aseta keräyssäiliö tukevasti tasaiselle, vaakasuoralle pinnalle ja helposti käsiteltävän pistorasian lähelle.
- 2 Aseta leikkuuosa keräyssäiliön päälle. Leikkuuosa lukittuu paikalleen kuuluvasti. Jos leikkuuosa ei ole asianmukaisesti keräyssäiliön päällä, asiakirjasilppuria ei voi kytkeä päälle.



### Huomio!

Teräväreunaisen leikkurin aiheuttama vammautumisvaara! Leikkurin alaosassa on teräväreunaisia kulmia. Tartu leikkuriin vain kahvoista.

- 3 Aseta pääkytkin asentoon **OFF** ja liitä virtapistoke pistorasiaan.
- 4 Aseta pääkytkin asentoon **AUTO**.

➔ Asiakirjasilppuri on otettu käyttöön. Tilanäyttö palaa sinisenä.

## Asiakirjasilppurin käyttö

Asiakirjasilppuri silppuaa automaattisesti. Asiakirjasilppuria käytetään siirtämällä pääkytkintä.

### Materiaalin automaattinen silppuaminen

Huomioi suurin sallittu leikkausteho ja muut teknisissä tiedoissa olevat eritelmät.



#### Varoitus!

Automaattisen sisäänvedon aiheuttama vammautumisvaara! Sisäänveto käynnistyy automaattisesti heti, kun materiaalia syötetään. Pidä pitkät hiukset, solmiot, korut, vaatteiden irto-osat ja muut irralliset esineet loitolla asiakirjasilppurin syöttöaukosta.

### Tärkeää!

Materiaaliruuhesta aiheutuvat aineelliset vahingot! Huomioi syöttöaukon suurin sallittu leikkausteho.

- 1 Ohjaa silputtava materiaali syöttöaukon keskelle.
  - ➔ Syöttöaukon sisäänvetomekanismi imee materiaalin sisään ja pysähtyy, kun materiaalia ei enää syötetä.

### Materiaalin silppuaminen manuaalisesti

Harvinaisissa tapauksissa anturit eivät tunnista sisään syötettyä materiaalia.

- 1 Aseta pääkytkin asentoon **FWD**.
  - ➔ Materiaalia syötetään sisään ja silputaan manuaalisesti.
- 2 Aseta pääkytkin asentoon **OFF**.

### Asiakirjasilppurin kytkeminen pois päältä

Kytke asiakirjasilppuri pois päältä, kun et enää tarvitse asiakirjasilppuria.

- 1 Aseta pääkytkin asentoon **OFF**.
  - ➔ Asiakirjasilppuri on kytketty pois päältä.
- 2 Vedä virtapistoke irti pistorasiasta, kun asiakirjasilppuria ei aiota käyttää pitkään aikaan.

## Häiriöiden esiintyessä

Seuraavat ohjeet auttavat, kun esiintyy toimintahäiriöitä.

### Ylikuumentumissuoja

Asiakirjasilppuri kytkeytyy ylikuumentumistilanteessa automaattisesti pois päältä. Tilanäyttö palaa punaisena.

- 1 Odota vähintään 50 minuuttia, kunnes asiakirjasilppuri on jäähtynyt. Huomioi vähimmäisetäisyys seinään ja teknisissä tiedoissa olevat jatkuvaa käyttöä koskevat tiedot.

➔ Jäähtymisvaiheen jälkeen tilanäyttö palaa sinisenä ja silppuaminen jatkuu.

### Ylikuormitusuoja

Jos olet syöttänyt laitteeseen teknisissä tiedoissa määriteltyä määrää enemmän materiaalia, asiakirjasilppuri käynnistää automaattisesti 5 sekuntia kestävästä vastasuuntaan liikkeen.

- 1 Vedä materiaali ulos asiakirjasilppurista.

➔ Tukos on poistettu.

- Kun materiaali on poistettu asiakirjasilppurista, leikkuri liikkuu vielä 3 sekunnin ajan puhdistukseen itsensä. Odota, kunnes asiakirjasilppuri on jälleen pysähtynyt ja tilanäyttö palaa sinisenä.

### Leikkurin voitelemine

Voitele asiakirjasilppurin leikkuri säännöllisin väliajoin asiakirjasilppurin eliniän pidentämiseksi.

HP:lla on saatavana erikoisöljyä ja öljypaperia tätä tarkoitusta varten.

#### Tärkeää!

Väärän öljyn käyttämisestä aiheutuvat aineelliset vahingot! Älä käytä suihkutettavia öljyjä. Käytä vain asiakirjasilppuria varten tarkoitettua erikoisöljyä.

Leikkuri voidaan voidella eri tavoin.

#### Voitelemine öljytyllä paperiarkilla:

- 1 Levitä asiakirjasilppurin erikoisöljyä useina poikittaisina vanoina paperiarkin päälle.

- 2 Ohjaa öljytty paperiarkki syöttöaukkoon.

➔ Öljyllä kostutettu paperiarkki vedetään sisään ja se voitelee leikkurin.

#### Voitelemine öljypapereilla

- 1 Ohjaa öljypaperi syöttöaukkoon.

➔ Öljyllä kostutettu paperiarkki vedetään sisään ja se voitelee leikkurin.

## Keräyssäiliön tyhjennys

Keräyssäiliön täyttötaso on tarkistettava säännöllisesti tarkistusikkunasta ja säiliö on tyhjennettävä, kun täyttötaso on noin 80%. Näin estetään silputun materiaalin ruuhkautuminen ja siitä seuraavat toimintahäiriöt.

- 1 Aseta pääkytkin asentoon **OFF**.
- 2 Vedä virtapistoke irti pistorasiasta.



### Huomio!

Teräväreunaisen leikkurin aiheuttama vammautumisvaara! Leikkurin alaosassa on teräväreunaisia kulmia. Tartu leikkuriin vain kahvoista.

- 3 Nosta leikkuuosa pois keräyssäiliöstä.
- 4 Tyhjennä keräyssäiliö.



### Huomio!

Teräväreunaisen leikkurin aiheuttama vammautumisvaara! Leikkurin alaosassa on teräväreunaisia kulmia. Tartu leikkuriin vain kahvoista.

- 5 Aseta leikkuuosa keräyssäiliön päälle.
  - ➔ Keräyssäiliö lukittuu paikalleen kuuluvasti.

## Materiaalijäänteiden poistaminen

Jos asiakirjasilppuri ei enää silppua materiaalia odotetulla tavalla, poista materiaalijäänteet leikkurista.

- 1 Aseta pääkytkin asentoon **REV**. Leikkuri liikkuu vastasuuntaan ja leikkuriin jäänyt materiaali vapautuu.
- 2 Aseta pääkytkin asentoon **OFF**.
- 3 Vedä virtapistoke irti pistorasiasta.
- 4 Nosta leikkuuosa pois keräyssäiliöstä.



### Huomio!

Teräväreunaisen leikkurin aiheuttama vammautumisvaara! Ole erityisen varovainen poistaessasi materiaalijäänteitä.

- 5 Poista materiaalijäänteet varovaisesti leikkurista sopivalla kärjellisellä esineellä.
- 6 Aseta leikkuuosa keräyssäiliön päälle.

## Asiakirjasilppurin puhdistaminen

Puhdista asiakirjasilppuri säännöllisin väliajoin.



### Huomio!


Pistoliekistä aiheutuva vammautumisvaara! Paineilmasuihkeita käytettäessä voi esiintyä pistoliekkejä. Älä koskaan käytä paineilmasuihkeita.

- 1 Aseta pääkytkin asentoon **OFF**.
- 2 Vedä virtapistoke irti pistorasiasta.
- 3 Puhdista kotelon pinnat pehmeällä, kuivalla ja nukkaamattomalla pyyhkeellä. Älä käytä paineilmasuihkeita, puhdistus- tai liuotainaineita.

## Tekniset tiedot

Malli	Mitat (mm)	Turvallisuusluokka DIN 66399-2:n mukaan	Leikattavan materiaalin koko (paksuus × leveys, mm)	Suurin leikkausteho (arkit / luottokortti)	Työleveys (mm)	Virransyöttö	Keräyssäiliön tilavuus (l)	Paino (kg)	Äänenvoimakkuus (dB)	Jatkuva käyttö (min) / jäähtymisaika (min)	Työnopeus (m/min)	Leikkaustapa
One Shred 8CC	L: 320 P: 190 K: 416	P-4	5 × 18	8 / 1	220	220 - 240 V, 50 - 60 Hz, 1,2 A, 200 W	15	4,3	68	4 / 50	1,8	Partikkelileikkaus

## Hävittäminen

 Viereinen symboli tarkoittaa, että käytetyt sähkö- ja elektroniikkalaitteet on lain mukaan hävitettävä erillään kotitalousjätteestä. Hävittämisestä ei peritä maksua. Toimita laite paikalliseen jätteenkäsittelypaikkaan hävitettäväksi. Hävitä pakkausmateriaalit paikallisten määräysten mukaisesti.





## Varastointia koskevia ohjeita

Asiakirjasilppuria on käytön jälkeen varastoitava turvallisella tavalla. Huomioi seuraavat ohjeet:

Varastoi asiakirjasilppuria

- vain alkuperäisessä pakkauksessa
- kuivassa, puhtaassa paikassa
- vain jäähtyneenä

## Kysymykset ja asiakaspalvelu

Arvoisa asiakas,

kiitos, että olet päättänyt hankkia tämän tuotteen.

Jos se ei toimi odotetulla tavalla tai jos se on viallinen, ota yhteyttä siihen jälleenmyyjään, jolta laite on ostettu.

## Vaatimustenmukaisuusvakuutus

Vahvistamme, että laite on standardissa DIN 66399-2 määriteltyjen vaatimusten mukainen tuote-eritelmissä määriteltyjen turvallisuusluokitusten kanssa.



Laitteessa oleva CE-merkki vahvistaa vaatimustenmukaisuuden.

Vaatimustenmukaisuusvakuutus on osoitteessa [www.hp.com/officeequipment](http://www.hp.com/officeequipment)

## Valmistaja

GO Europe GmbH  
Zum Kraftwerk 1  
D-45527 Hattingen  
Saksa

## Lire le mode d'emploi



Veillez lire attentivement ce mode d'emploi et respecter les consignes lorsque vous manipulez le destructeur de documents. Conservez le mode d'emploi pour pouvoir vous y reporter ultérieurement.

## Utilisation conforme à l'usage prévu

Votre destructeur de documents est destiné au broyage de papier, de cartes de crédit, de trombones et agrafes. Il n'est conçu que pour un usage strictement domestique dans des espaces clos.

Toute autre forme d'utilisation n'est pas conforme à l'usage prévu. Il est interdit d'y apporter de son propre gré des modifications et des transformations : celles-ci entraînent la perte de garantie.

## Respecter les consignes de sécurité

Veillez lire les consignes de sécurité et en tenir compte pour vous protéger, ainsi que pour respecter l'environnement.



### Avertissement !

Risque de blessure dû au mécanisme d'insertion ! Des objets non attachés peuvent se prendre dans la fente et provoquer des blessures. N'approchez pas doigts, cheveux, écharpes, cravates, bijoux, etc. de celle-ci.



### Avertissement !

Danger de mort par électrocution. Une manipulation incorrecte du destructeur de documents peut entraîner une électrocution. Il vous est donc interdit d'y apporter de votre propre gré des modifications et des transformations. Ne le faites pas fonctionner avec un câble d'alimentation défectueux. Déconnectez-le immédiatement en cas d'endommagements ou de fonctionnement incorrect et retirez la fiche de secteur de la prise de courant.

Faites effectuer les réparations uniquement par du personnel spécialisé et qualifié. Placez le destructeur de documents à proximité d'une prise de courant facilement accessible pour pouvoir le couper rapidement du réseau en cas d'urgence. Ne jamais le toucher avec des mains humides. Éviter tout contact avec de l'eau.



### Avertissement !

Risque d'étouffement lié à des petits objets, des emballages ou des pellicules de protection. Les enfants peuvent les avaler. Tenez-les hors de portée de l'appareil et de son emballage.

**Avertissement !**

Cet appareil peut être utilisé par des enfants à partir de 8 ans et des personnes présentant une diminution de leurs aptitudes physiques, sensorielles ou mentales ou un manque d'expérience et/ou de connaissances si elles sont sous surveillance ou si on leur a enseigné l'utilisation sûre de l'appareil et si elles ont compris les dangers résultant de ce dernier. Ne laissez pas les enfants jouer avec l'appareil. S'ils sont sans surveillance, ils ne doivent pas nettoyer ou effectuer son entretien.

**Prudence !**

Risque de trébucher à cause d'un câble posé de manière incorrecte. Poser celui-ci de sorte que personne ne puisse trébucher à cause de lui. Assurez-vous que la fiche et le câble ne puissent pas être endommagés.

**Important !**

Domage matériel éventuel. Éviter les impacts environnementaux tels que fumée, poussière, vibrations, produits chimiques, humidité, grande chaleur ou ensoleillement direct.

Utilisez le destructeur de documents uniquement à l'intérieur.

Les informations suivantes vous aident à ce que le destructeur de documents fonctionne toujours comme vous le voulez.



Veillez lire les consignes de sécurité avant d'utiliser ce dernier.



N'approchez pas des cheveux longs du destructeur de documents.



N'approchez pas du destructeur des parties de vêtement volantes, des bijoux ou autres objets non attachés.



N'approchez pas cravates et écharpes du destructeur de documents.



Remarque générale sur des risques éventuels nécessitant votre attention particulière.



**Avertissement !** Risque de blessure dû au mécanisme d'insertion automatique ! Celui-ci démarre automatiquement dès que vous l'alimentez en support. N'approchez donc pas de ce dernier cheveux longs, cravates, objets non fixés de vêtements et autres objets également non fixés.



N'introduisez jamais vos doigts dans la fente d'insertion.



Tenez-le hors de portée des enfants et des animaux domestiques.



Ne vaporisez pas de gaz combustibles dans sa direction. N'utilisez jamais de sprays à air comprimé.



Introduisez au maximum 8 feuilles en même temps dans la fente d'insertion.



**Prudence !** Risque de blessure dû au bloc de coupe à arêtes vives !



N'introduisez les cartes de crédit que verticalement.

## Contrôler le contenu du coffret

Contrôlez le contenu de l'emballage de votre destructeur de documents avant d'utiliser ce dernier.

N'utilisez en aucun cas l'appareil si une pièce manque ou est endommagée. Veuillez vous adresser à notre service après-vente.

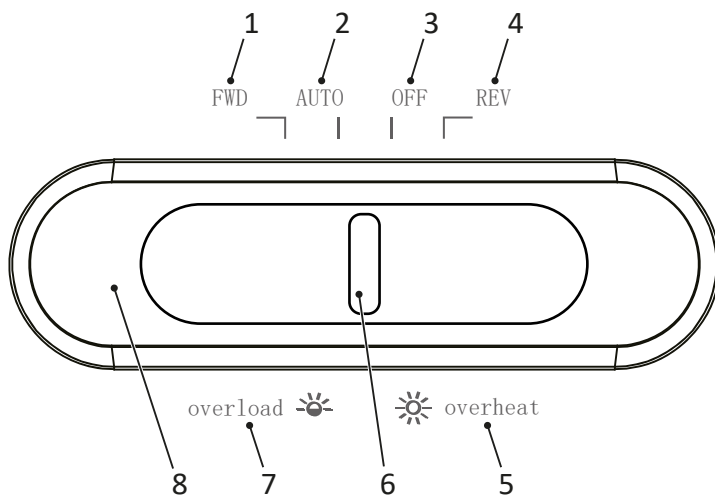
- Destructeur de documents OneShred 8CC avec bac pour réception des particules
- Mode d'emploi
- 1 feuille de papier huilé

## Votre destructeur de documents en détail

La figure suivante représente votre destructeur de documents en détail.



1	Interrupteur marche/arrêt	5	Poignée
2	Affichage de l'état (voyant lumineux)	6	Fenêtre de contrôle
3	Fente d'insertion	7	Bac
4	Cache du bloc de coupe		



1	Marche manuelle	5	Surchauffe
2	Marche automatique	6	Interrupteur marche/arrêt
3	Appareil hors tension	7	Surcharge
4	Marche arrière	8	Affichage de l'état (voyant lumineux)

## Positionnement et mise en service du destructeur de documents

Votre destructeur de documents fonctionne uniquement avec le bac. Ne le posez pas à proximité d'une source de chaleur et maintenez une distance de 10 cm minimum par rapport au mur, ce qui lui permet un refroidissement suffisant.

- 1 Posez le bac de façon stable sur une surface horizontale plane et à proximité d'une prise de courant facilement accessible.
- 2 Placez le cache du bloc de coupe sur le bac. Il s'enclenche de façon audible. Si le cache du bloc de coupe n'est pas placé correctement sur le bac, vous ne pouvez pas brancher le destructeur.



### Prudence !

Risque de blessure dû au bloc de coupe à arêtes vives ! Le dessous du bloc de coupe contient des bords à arêtes vives. Ne tenez le bloc que par les poignées.

- 3 Positionnez l'interrupteur Marche/Arrêt sur **OFF** et raccordez la fiche de secteur à la prise de courant.
- 4 Positionnez l'interrupteur Marche/Arrêt sur **AUTO**.
  - ➔ Vous avez mis votre destructeur de documents en service. Le voyant lumineux devient bleu.

## Comment utiliser le destructeur de documents

Le destructeur de documents fonctionne avec un broyage automatique. Vous le faites fonctionner en déplaçant l'interrupteur marche/arrêt.

### Broyage automatique du support

Respectez la capacité de coupe maximale et les autres spécifications mentionnées dans les données techniques.



#### Avertissement !

Risque de blessure dû au mécanisme d'insertion automatique ! Celui-ci démarre automatiquement dès que vous l'alimentez en support. N'approchez donc pas de ce dernier cheveux longs, cravates, objets non fixés de vêtements et autres objets également non fixés.

### Important !

Dommages matériels en cas de bourrage du support ! Veuillez respecter la capacité de coupe maximale de la fente d'insertion.

- 1 Insérez le support à broyer au centre de la fente.
  - ➔ Celle-ci happé le support et s'arrête quand aucun autre support n'est introduit.

### Broyage manuel du support

Dans de rares cas, les capteurs ne détectent pas le support inséré.

- 1 Positionnez l'interrupteur Marche/Arrêt sur **FWD**.
  - ➔ Le support est happé manuellement et broyé.
- 2 Positionnez l'interrupteur Marche/Arrêt sur **OFF**.

### Débrancher le destructeur de documents

Débranchez le destructeur de documents si vous n'en n'avez plus besoin.

- 1 Positionnez l'interrupteur Marche/Arrêt sur **OFF**.
  - ➔ Vous avez mis le destructeur hors tension.
- 2 Retirez la fiche de secteur de la prise de courant si vous n'utilisez pas l'appareil pendant une période prolongée.

## Si quelque chose ne fonctionne pas

Les informations suivantes vous aident lorsque quelque chose ne fonctionne pas comme vous le voulez.

### Protection thermique

Le destructeur de documents se débranche automatiquement en cas de surchauffe. Le voyant lumineux devient rouge.

**1** Attendez 50 minutes que le destructeur ait refroidi. Tenez compte de la distance minimum par rapport au mur, ainsi que les informations concernant le fonctionnement permanent mentionnées dans les données techniques.

➔ Après la phase de refroidissement, le voyant lumineux devient bleu et le broyage continue.

### Protection contre une surcharge

Si vous avez inséré une quantité plus importante de support qu'indiquée dans les données techniques, le voyant lumineux clignote rouge et le destructeur de documents démarre la marche arrière automatique pour une durée de 5 secondes.

**1** Retirez le support du destructeur de documents.

➔ Vous avez éliminé le blocage.

**2** Lorsque vous avez retiré le support, le bloc de coupe continue son mouvement pendant 3 secondes pour se nettoyer. Attendez que le destructeur s'arrête et que le voyant lumineux devienne bleu.

### Huilage du bloc de coupe

Huilez le bloc de coupe du destructeur de documents à des intervalles réguliers si vous voulez en prolonger sa durée de vie.

Des feuilles spéciales huilées, ainsi que de l'huile spéciale sont en vente chez HP.

### Important !

Domage matériel éventuel dû à l'utilisation d'huiles non appropriées ! N'utilisez pas d'huiles de pulvérisation. Utilisez uniquement une huile spéciale pour destructeurs de documents.

Vous avez plusieurs possibilités de huiler le bloc de coupe.

#### Le huiler avec du papier que vous aurez huilé vous-même :

**1** Enduisez une feuille de papier de cette huile sous forme de lignes transversales.

**2** Approchez la feuille huilée de la fente.

➔ Celle-ci est happée et huile le bloc de coupe.

## Le huiler avec des feuilles huilées.

- 1 Insérez la feuille huilée dans la fente.  
→ Celle-ci est happée et huile le bloc de coupe.

## Vidage du bac

Vous devez contrôler régulièrement le bac à l'aide de la fenêtre et le vider quand il est rempli à env. 80 %. Vous éviterez ainsi que le support broyé ne produise un bourrage pouvant provoquer des dysfonctionnements.

- 1 Positionnez l'interrupteur Marche/Arrêt sur **OFF**.
- 2 Retirez la fiche de secteur de la prise de courant.



### Prudence !

Risque de blessure dû au bloc de coupe à arêtes vives ! Le dessous du bloc de coupe contient des bords à arêtes vives. Ne tenez le bloc que par les poignées.

- 3 Soulevez le cache du bloc de coupe du bac.
- 4 Videz le bac.



### Prudence !

Risque de blessure dû au bloc de coupe à arêtes vives ! Le dessous du bloc de coupe contient des bords à arêtes vives. Ne tenez le bloc que par les poignées.

- 5 Placez le cache du bloc de coupe sur le bac.  
→ Il s'enclenche de façon audible.

## Extraction des restes de support

Si votre destructeur ne broie plus le support comme vous le souhaitez, retirez les restes du bloc de coupe.

- 1 Positionnez l'interrupteur Marche/Arrêt sur **REV**. Le bloc de coupe tourne en marche arrière et libère les restes de support.
- 2 Positionnez l'interrupteur Marche/Arrêt sur **OFF**.
- 3 Retirez la fiche de secteur de la prise de courant.
- 4 Soulevez le cache du bloc de coupe du bac.



### Prudence !

Risque de blessure dû au bloc de coupe à arêtes vives ! Soyez tout particulièrement prudent lorsque vous retirez des restes de support.

- 5 Retirez avec précaution les restes se trouvant dans le bloc de coupe à l'aide d'un objet pointu approprié.
- 6 Placez le cache du bloc de coupe sur le bac.



## Nettoyage du destructeur de documents

Nettoyez le destructeur de documents à intervalles réguliers.



**Prudence !** Risque de blessure dû à une flamme jaillissante ! Celle-ci peut se produire lorsque vous utilisez un spray à air comprimé. N'utilisez jamais un tel produit.

- 1 Positionnez l'interrupteur Marche/Arrêt sur **OFF**.
- 2 Retirez la fiche de secteur de la prise de courant.
- 3 Nettoyez la surface du boîtier avec un chiffon doux, sec et non pelucheux. N'utilisez pas de sprays à air comprimé ni de produits d'entretien et de solvants.

## Données techniques

Modèle	Dimensions (mm)	Niveau de sécurité conforme à la norme DIN 66399-2.	Taille de la particule (épaisseur × largeur, mm)	Capacité de coupe max. (feuilles / carte de crédit)	Largeur de passage (mm)	Alimentation en courant	Contenance du bac (l)	Poids (kg)	Volume (dB)	Fonctionnement permanent (min) / Temps de refroidissement (min)	Vitesse de travail (m/min)	Type de coupe
One Shred 8CC	Larg. : 320 Long : 190 Haut : 416	P-4	5 × 18	8 / 1	220	220 - 240 V, 50 - 60 Hz, 1,2 A, 200 W	15	4,3	68	4 / 50	1,8	Coupe en par- ticules

## Élimination



Le symbole ci-contre signifie qu'en raison de dispositions légales, les appareils électriques et électroniques usagés ne doivent pas être éliminés avec les ordures ménagères. L'élimination des piles est gratuite. Veuillez apporter votre appareil au centre de collecte de l'organisme d'élimination des déchets de votre commune. Éliminez les matériaux d'emballage conformément aux règlements locaux.



L'appareil et les matériaux d'emballage sont recyclables, éliminez-les séparément pour une meilleure gestion des déchets. Le logo Tri-man est valable en France uniquement.

## Remarques relatives au stockage du destructeur de documents

Après l'avoir utilisé, vous devez stocker le destructeur de façon sûre. Tenez compte des remarques suivantes :

Stockez le destructeur de documents

- uniquement dans son emballage original
- à un endroit sec et propre
- uniquement s'il est refroidi

## Questions et service

Cher client,

nous vous félicitons d'avoir choisi cet appareil.

S'il ne fonctionne pas comme vous le souhaitez ou s'il est défectueux, veuillez vous adresser au revendeur auprès duquel vous avez acheté le produit.

## Déclaration de conformité

Nous attestons la conformité de l'appareil selon la norme DIN 66399-2 avec les niveaux de sécurité cités dans la spécification du produit.



Ladite conformité est attestée sur l'appareil par le marquage CE.

Vous trouverez la déclaration de conformité de ce produit sur le site

[www.hp.com/officeequipment](http://www.hp.com/officeequipment)

## Fabricant

GO Europe GmbH  
Zum Kraftwerk 1  
D-45527 Hattingen  
Allemagne

## Διαβάστε τις Οδηγίες Χρήσης



Διαβάστε προσεκτικά τις οδηγίες χρήσης και προσέξτε τις υποδείξεις κατά τον χειρισμό του καταστροφέα εγγράφων. Φυλάξτε τις οδηγίες χρήσης για μελλοντική αναφορά.

## Χρήση σύμφωνα με τον προορισμό

Ο καταστροφέας εγγράφων σας ενδείκνυται για τον τεμαχισμό χαρτιού, πιστωτικών καρτών και συνδετήρων. Ο καταστροφέας εγγράφων προορίζεται αποκλειστικά για την ιδιωτική χρήση σε κλειστούς χώρους.

Οποιαδήποτε άλλη χρήση θεωρείται μη ενδεδειγμένη. Αυθαίρετες μετατροπές ή τροποποιήσεις δεν επιτρέπονται και συνεπάγονται ακύρωση της εγγύησης.

## Τηρείτε τις υποδείξεις ασφαλείας

Διαβάστε και προσέξτε τις υποδείξεις προειδοποίησης, για να προστατεύσετε εσάς και το περιβάλλον.



### Προειδοποίηση!

Κίνδυνος τραυματισμού από τον μηχανισμό τροφοδοσίας. Μη στερεωμένα αντικείμενα μπορεί να σφηνώσουν στην τροφοδοσία και να προκαλέσουν τραυματισμούς. Διατηρείτε τα δάκτυλα, τα μαλλιά, κασκόλ, γραβάτες, κοσμήματα κτλ. μακριά από την τροφοδοσία.



### Προειδοποίηση!

Κίνδυνος τραυματισμού από ηλεκτροπληξία. Ο λανθασμένος χειρισμός του καταστροφέα εγγράφων μπορεί να οδηγήσει σε ηλεκτροπληξία. Αυθαίρετες προσαρμογές ή μετατροπές στον καταστροφέα εγγράφων δεν επιτρέπονται. Μην λειτουργείτε τον καταστροφέα εγγράφων με φθαρμένο καλώδιο τροφοδοσίας. Απενεργοποιήστε αμέσως τον καταστροφέα εγγράφων σε περίπτωση ζημιών ή μη ενδεδειγμένης λειτουργίας και αποσυνδέστε το καλώδιο τροφοδοσίας.

Επισκευές επιτρέπεται να εκτελούνται μόνο από εξειδικευμένο τεχνικό προσωπικό. Τοποθετήστε τον καταστροφέα εγγράφων κοντά σε μια εύκολα προσβάσιμη πρίζα, ώστε ο καταστροφέας εγγράφων να μπορεί να αποσυνδεθεί γρήγορα από το ηλεκτρικό δίκτυο σε περίπτωση έκτακτης ανάγκης. Ποτέ μην τον αγγίζετε με υγρά χέρια. Αποφύγετε οποιαδήποτε επαφή με το νερό.



### Προειδοποίηση!

Κίνδυνος ασφυξίας από μικροεξαρθήματα, υλικά συσκευασίας ή προστατευτικές μεμβράνες. Τα παιδιά μπορεί να καταπιούν μικρά μικροεξαρθήματα, υλικά συσκευασίας ή προστατευτικές μεμβράνες. Διατηρείτε τα παιδιά μακριά από τη συσκευή και τη συσκευασία της.

**Προειδοποίηση!**

Η παρούσα συσκευή μπορεί να χρησιμοποιηθεί από παιδιά ηλικίας οκτώ ετών και άνω και από άτομα με περιορισμένες σωματικές, αισθητήριες ή πνευματικές ικανότητες ή έλλειψη εμπειρίας ή/και γνώσης, όταν επιβλέπονται ή έχουν κατατοπιστεί αναφορικά με την ασφαλή χρήση της συσκευής και έχουν κατανοήσει τους κινδύνους που απορρέουν από τη συσκευή. Τα παιδιά δεν επιτρέπεται να παίζουν με τη συσκευή. Ο καθαρισμός και η συντήρηση χρήστη δεν επιτρέπεται να πραγματοποιούνται από παιδιά χωρίς επίβλεψη.

**Προσοχή!**

Κίνδυνος παραπατήματος από ακατάλληλα τοποθετημένο καλώδιο τροφοδοσίας. Τοποθετήστε το καλώδιο τροφοδοσίας έτσι, ώστε να μην αποτελεί κίνδυνο παραπατήματος. Προσέξτε να μην προκληθούν ζημιές στο φινιρίσμα και στο καλώδιο τροφοδοσίας.

**Σημαντικό!**

Πιθανότητα υλικών ζημιών. Αποφύγετε περιβαλλοντικές επιδράσεις όπως π.χ. καπνός, σκόνη, δονήσεις, χημικές ουσίες, υγρασία, θερμότητα ή απευθείας έκθεση στον ήλιο.

Χρησιμοποιείτε τον καταστροφέα εγγράφων μόνο σε κλειστούς χώρους.

Προσέξτε τις παρακάτω υποδείξεις, ώστε ο καταστροφέας εγγράφων να λειτουργεί πάντα με τον αναμενόμενο τρόπο.



Πριν από την έναρξη λειτουργίας διαβάστε τις Οδηγίες Χρήσης.



Μην πλησιάζετε τα μακριά μαλλιά στον καταστροφέα εγγράφων.



Διατηρείτε τα χαλαρά μέρη ενδυμάτων, κοσμημάτων ή άλλα χαλαρά αντικείμενα μακριά από τον καταστροφέα εγγράφων.



Μην πλησιάζετε γραβάτες και κασκόλ στον καταστροφέα εγγράφων.



Γενική υπόδειξη για πιθανούς κινδύνους, που απαιτούν αυξημένη προσοχή.



**Προειδοποίηση!** Κίνδυνος τραυματισμού από την αυτόματη τροφοδοσία! Η τροφοδοσία ξεκινά αυτόματα, μόλις προστεθεί το υλικό. Μακριά μαλλιά, γραβάτες, κοσμήματα, χαλαρά άκρα από ρούχα και άλλα χαλαρά αντικείμενα πρέπει να διατηρούνται μακριά από την τροφοδοσία του καταστροφέα εγγράφων.



Ποτέ μην βάζετε τα χέρια σας απευθείας στην τροφοδοσία.



Διατηρείτε τα παιδιά και τα κατοικίδια μακριά από τον καταστροφέα εγγράφων.



Μην περνάτε εύφλεκτα αέρια προς την κατεύθυνση του καταστροφέα εγγράφων. Ποτέ μην χρησιμοποιείτε σπρέι πεπιεσμένου αέρα.



Εισάγετε ταυτόχρονα έως 8 φύλλα στην τροφοδοσία.



**Προσοχή!** Κίνδυνος τραυματισμού από τον αιχμηρό μηχανισμό κοπής!



Εισάγετε τις πιστωτικές κάρτες μόνο κάθετα.

## Έλεγχος περιεχομένου συσκευασίας

Ελέγξτε το περιεχόμενο της συσκευασίας του καταστροφέα εγγράφων, προτού θέσετε σε λειτουργία τον καταστροφέα εγγράφων.

Αν κάτι λείπει ή έχει υποστεί ζημιά, σε καμία περίπτωση μην θέτετε σε λειτουργία τον καταστροφέα εγγράφων. Απευθυνθείτε στην εξυπηρέτηση πελατών.

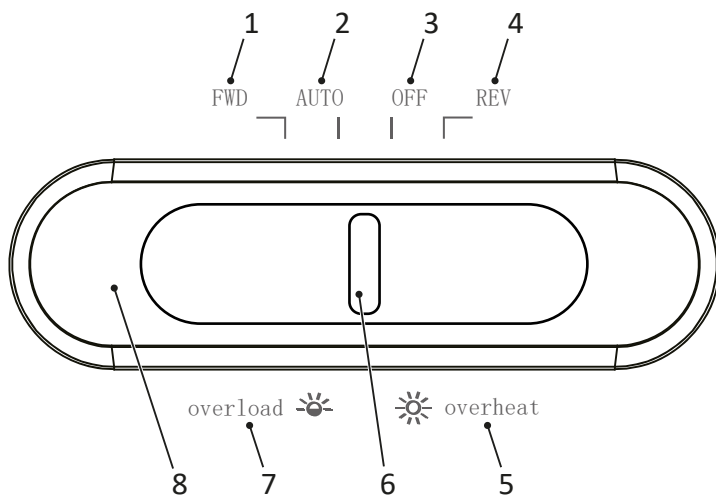
- Καταστροφέας εγγράφων OneShred 8CC με δοχείο συλλογής για το υλικό κοπής
- Οδηγίες Χρήσης
- 1 φύλλο χαρτί λαδιού

## Ο καταστροφέας εγγράφων λεπτομερώς

Η παρακάτω εικόνα δείχνει αναλυτικά τον καταστροφέα εγγράφων.



1	Γενικός διακόπτης	5	Χειρολαβή
2	Ένδειξη κατάστασης	6	Παράθυρο παρατήρησης
3	Τροφοδοσία	7	Δοχείο συλλογής
4	Καπάκι μηχανισμού κοπής		



1	Χειροκίνητη λειτουργία	5	Υπερθέρμανση
2	Αυτόματη λειτουργία	6	Γενικός διακόπτης
3	Συσκευή απενεργοποιημένη	7	Υπερφόρτωση
4	Αντίστροφη λειτουργία	8	Ένδειξη κατάστασης

## Τοποθέτηση και έναρξη λειτουργίας καταστροφέα εγγράφων

Ο καταστροφέας εγγράφων λειτουργεί μόνο με το δοχείο συλλογής. Μην τοποθετείτε τον καταστροφέα εγγράφων κοντά σε πηγές θερμότητας και διατηρείτε απόσταση τουλάχιστον 10 cm από τον τοίχο. Έτσι εξασφαλίζεται η επαρκής ψύξη του καταστροφέα εγγράφων.

- 1 Τοποθετήστε το δοχείο συλλογής σταθερά σε επίπεδη, οριζόντια επιφάνεια και κοντά σε μια εύκολα προσβάσιμη πρίζα.
- 2 Τοποθετήστε το καπάκι μηχανισμού κοπής πάνω στο δοχείο συλλογής. Το καπάκι μηχανισμού κοπής ασφαλίζει με χαρακτηριστικό ήχο. Αν ο ένθετος μηχανισμός κοπής δεν εφαρμόζει σωστά στο δοχείο συλλογής, ο καταστροφέας εγγράφων δεν μπορεί να ενεργοποιηθεί.



### Προσοχή!

Κίνδυνος τραυματισμού από τον αιχμηρό μηχανισμό κοπής! Η κάτω πλευρά του μηχανισμού κοπής διαθέτει αιχμηρές γωνίες. Αγγίζετε τον μηχανισμό κοπής μόνο στις χειρολαβές.

- 3 Μετακινήστε τον γενικό διακόπτη στη θέση **OFF** και συνδέστε το φις στην πρίζα.
- 4 Μετακινήστε τον γενικό διακόπτη στη θέση **AUTO**.

➔ Ο καταστροφέας εγγράφων τίθεται σε λειτουργία. Η ένδειξη κατάστασης ανάβει μπλε.

## Χειρισμός καταστροφέα εγγράφων

Ο καταστροφέας εγγράφων λειτουργεί με αυτόματο τεμαχισμό. Για τον χειρισμό του καταστροφέα εγγράφων μετακινήστε τον γενικό διακόπτη.

### Αυτόματος τεμαχισμός υλικού

Προσέξτε τη μέγιστη επιτρεπόμενη απόδοση κοπής και τις άλλες προδιαγραφές στα τεχνικά χαρακτηριστικά.



#### Προειδοποίηση!

Κίνδυνος τραυματισμού από την αυτόματη τροφοδοσία! Η τροφοδοσία ξεκινά αυτόματα, μόλις προστεθεί το υλικό. Μακριά μαλλιά, γραβάτες, κοσμήματα, χαλαρά άκρα από ρούχα και άλλα χαλαρά αντικείμενα πρέπει να διατηρούνται μακριά από την τροφοδοσία του καταστροφέα εγγράφων.

**Σημαντικό!** Υλικές ζημιές από συμφόρηση υλικού! Προσέξτε τη μέγιστη απόδοση κοπής της τροφοδοσίας.

**1** Εισάγετε το προς τεμαχισμό υλικό κεντρικά στην τροφοδοσία.

➔ Η τροφοδοσία τραβά το υλικό και σταματά, όταν δεν τροφοδοτείται άλλο υλικό.

### Χειροκίνητος τεμαχισμός υλικού

Σε σπάνιες περιπτώσεις οι αισθητήρες δεν αναγνωρίζουν το τροφοδοτημένο υλικό.

**1** Μετακινήστε τον γενικό διακόπτη στη θέση **FWD**.

➔ Το υλικό τροφοδοτείται χειροκίνητα και τεμαχίζεται.

**2** Μετακινήστε τον γενικό διακόπτη στη θέση **OFF**.

### Απενεργοποίηση καταστροφέα εγγράφων

Απενεργοποιήστε τον καταστροφέα εγγράφων, όταν δεν χρειάζεστε πλέον τον καταστροφέα εγγράφων.

**1** Μετακινήστε τον γενικό διακόπτη στη θέση **OFF**.

➔ Ο καταστροφέας εγγράφων απενεργοποιείται.

**2** Τραβήξτε το φιν από την πρίζα, όταν ο καταστροφέας εγγράφων δεν χρησιμοποιείται για μεγαλύτερο χρονικό διάστημα.

## Όταν κάτι δεν λειτουργεί

Οι παρακάτω υποδείξεις σας βοηθούν σε περίπτωση που κάτι δεν λειτουργεί με τον αναμενόμενο τρόπο.

### Προστασία από υπερθέρμανση

Ο καταστροφέας εγγράφων απενεργοποιείται αυτόματα σε περίπτωση υπερθέρμανσης. Η ένδειξη κατάστασης ανάβει κόκκινη.

- 1 Περιμένετε τουλάχιστον 50 λεπτά μέχρι να κρυώσει ο καταστροφέας εγγράφων. Προσέξτε την ελάχιστη απόσταση από τον τοίχο και τα στοιχεία για τη συνεχή λειτουργία στα τεχνικά χαρακτηριστικά.
  - ➔ Μετά τη φάση κρυώματος η ένδειξη κατάστασης ανάβει μπλε και το τεμαχισμός συνεχίζεται.

### Προστασία από υπερφόρτωση

Αν έχετε τροφοδοτήσει περισσότερο υλικό από ό,τι ορίζεται στα τεχνικά χαρακτηριστικά, τότε η ένδειξη κατάστασης αναβοσβήνει κόκκινη και ο καταστροφέας εγγράφων εκτελεί για 5 δευτερόλεπτα την αυτόματη αντίστροφη λειτουργία.

- 1 Τραβήξτε το υλικό έξω από τον καταστροφέα εγγράφων.
  - ➔ Το μπλοκάρισμα έχει αντιμετωπιστεί.
- Αφού το υλικό αφαιρεθεί από τον καταστροφέα εγγράφων, ο μηχανισμός κοπής συνεχίζει να κινείται για 3 δευτερόλεπτα για να καθαριστεί. Περιμένετε μέχρι ο καταστροφέας εγγράφων να ακινητοποιηθεί ξανά και η ένδειξη κατάστασης να ανάψει μπλε.

### Λάδωμα μηχανισμού κοπής

Λαδώνετε τον μηχανισμό κοπής του καταστροφέα εγγράφων σε τακτά διαστήματα, για να αυξήσετε τη διάρκεια ζωής του καταστροφέα εγγράφων.

Διατίθενται ειδικό λάδι και φύλλα λαδιού για τον καταστροφέα εγγράφων της HP.

### Σημαντικό!

Υλικές ζημιές από τη χρήση λάθος λαδιών! Μην χρησιμοποιείτε λάδια ψεκασμού. Χρησιμοποιείτε αποκλειστικά ειδικό λάδι για τον καταστροφέα εγγράφων.

Έχετε διάφορες δυνατότητες για να λαδώσετε τον μηχανισμό κοπής.



## Λάδωμα με χειροκίνητα λαδωμένο χαρτί:

- 1 Εφαρμόστε το ειδικό λάδι για καταστροφείς εγγράφων σε περισσότερες εγκάρσιες λωρίδες πάνω σε ένα φύλλο χαρτί.
- 2 Εισάγετε το λαδωμένο φύλλο χαρτί στην τροφοδοσία.
  - ➔ Το διαβρεγμένο με λάδι χαρτί εισέρχεται στην τροφοδοσία και λαδώνει τον μηχανισμό κοπής.

## Λάδωμα με φύλλα λαδιού

- 1 Εισάγετε το χάρτινο φύλλο λαδιού στην τροφοδοσία.
  - ➔ Το διαβρεγμένο με λάδι χαρτί εισέρχεται στην τροφοδοσία και λαδώνει τον μηχανισμό κοπής.

## Εκκένωση δοχείου συλλογής

Η στάθμη πλήρωσης του δοχείου συλλογής πρέπει να ελέγχεται τακτικά από το παράθυρο παρατήρησης και να εκκενώνεται όταν η στάθμη πλήρωσης υπερβαίνει περ. το 80%. Έτσι εμποδίζετε τη συσσώρευση του τεμαχισμένου υλικού με συνέπεια να προκληθούν δυσλειτουργίες.

- 1 Μετακινήστε τον γενικό διακόπτη στη θέση **OFF**.
- 2 Τραβήξτε το φιν από τη πρίζα.



### Προσοχή!

Κίνδυνος τραυματισμού από τον αιχμηρό μηχανισμό κοπής! Η κάτω πλευρά του μηχανισμού κοπής διαθέτει αιχμηρές γωνίες. Αγγίζετε τον μηχανισμό κοπής μόνο στις χειρολαβές.

- 3 Ανασηκώστε τον ένθετο μηχανισμό κοπής από το δοχείο συλλογής.
- 4 Εκκενώστε το δοχείο συλλογής.



### Προσοχή!

Κίνδυνος τραυματισμού από τον αιχμηρό μηχανισμό κοπής! Η κάτω πλευρά του μηχανισμού κοπής διαθέτει αιχμηρές γωνίες. Αγγίζετε τον μηχανισμό κοπής μόνο στις χειρολαβές.

- 5 Τοποθετήστε το καπάκι μηχανισμού κοπής πάνω στο δοχείο συλλογής.
  - ➔ Το δοχείο συλλογής ασφαλίζει με χαρακτηριστικό ήχο.

## Απομάκρυνση υπολειμμάτων υλικού

Όταν ο καταστροφέας εγγράφων δεν τεμαχίζει πλέον το υλικό με τον αναμενόμενο τρόπο, απομακρύνετε τα συσσωρευμένα υπολείμματα υλικού από τον μηχανισμό κοπής.

- 1** Μετακινήστε τον γενικό διακόπτη στη θέση **REV**. Ο μηχανισμός κοπής κινείται αντίστροφα και απελευθερώνει το υλικό που έχει απομείνει στον μηχανισμό κοπής.
- 2** Μετακινήστε τον γενικό διακόπτη στη θέση **OFF**.
- 3** Τραβήξτε το φιν από τη πρίζα.
- 4** Ανασηκώστε τον ένθετο μηχανισμό κοπής από το δοχείο συλλογής.



### Προσοχή!

Κίνδυνος τραυματισμού από τον αιχμηρό μηχανισμό κοπής! Κατά την απομάκρυνση των υπολειμμάτων υλικού απαιτείται αυξημένη προσοχή.

- 5** Απομακρύνετε τα υπολείμματα υλικού με κατάλληλο μυτερό αντικείμενο προσεκτικά από τον μηχανισμό κοπής.
- 6** Τοποθετήστε το καπάκι μηχανισμού κοπής πάνω στο δοχείο συλλογής.

## Καθαρισμός καταστροφέα εγγράφων

Καθαρίζετε τον καταστροφέα εγγράφων σε τακτά διαστήματα.



### Προσοχή!


Κίνδυνος τραυματισμού από ξαφνική φλόγα! Κατά τη χρήση σπρέι πεπιεσμένου αέρα μπορεί να προκληθεί φλόγα. Ποτέ μην χρησιμοποιείτε σπρέι πεπιεσμένου αέρα.

- 1** Μετακινήστε τον γενικό διακόπτη στη θέση **OFF**.
- 2** Τραβήξτε το φιν από τη πρίζα.
- 3** Καθαρίστε τις επιφάνειες του περιβλήματος με ένα μαλακό, στεγνό πανί που δεν αφήνει χνούδι. Μην χρησιμοποιείτε σπρέι πεπιεσμένου αέρα, καθαριστικά ή διαλύτες.

## Τεχνικά στοιχεία

Μοντέλο	Διαστάσεις (mm)	Επίπεδο ασφαλείας κατά DIN 66399-2	Μέγεθος υλικού κοπής (πάχος × πλάτος, mm)	Μέγ. απόδοση κοπής (φύλλα / πιστωτική κάρτα)	Πλάτος εργασίας (mm)	Τροφοδοσία ρεύματος	Χωρητικότητα δοχείου συλλογής (l)	Βάρος (kg)	Ένταση (dB)	Συνεχής λειτουργία (min) / Διάρκεια κρουώματος (min)	Ταχύτητα λειτουργίας (m/min)	Είδος κοπής
OneShred 8CC	Π: 320 Μ: 190 Υ: 416	P-4	5 × 18	8 / 1	220	220 - 240 V, 50 - 60 Hz, 1,2 A, 200 W	15	4,3	68	4 / 50	1,8	Κοπή σω-ματι-δίων

## Αποκομιδή

 Το διπλανό σύμβολο σημαίνει, ότι σύμφωνα με τις νομικές απαιτήσεις οι παλιές ηλεκτρικές και ηλεκτρονικές συσκευές πρέπει να απορρίπτονται ξεχωριστά από τα οικιακά απορρίμματα. Η απόρριψη είναι δωρεάν. Απορρίψτε τη συσκευή στο σημείο συλλογής του δημοτικού φορέα διαχείρισης. Απορρίψτε τα υλικά συσκευασίας σύμφωνα με τους τοπικούς κανονισμούς.



## Υπόδειξη για την αποθήκευση

Μετά τη χρήση ο καταστροφέας εγγράφων πρέπει να αποθηκευτεί σε ασφαλές σημείο. Προσέξτε τις παρακάτω υποδείξεις:

Αποθηκεύετε τον καταστροφέα εγγράφων

- μόνο στην αρχική συσκευασία
- σε ένα στεγνό, καθαρό μέρος
- μόνο σε κρύα κατάσταση

## Ερωτήσεις και σέρβις

Αξιότιμε πελάτη,

ευχαριστούμε που επιλέξατε αυτό το προϊόν.

Σε περίπτωση που δεν λειτουργεί με τον αναμενόμενο τρόπο ή αν παρουσιάζει βλάβη, απευθυνθείτε στον έμπορο, από τον οποίο αγοράσατε αυτό το προϊόν.

## Δήλωση συμμόρφωσης

Επιβεβαιώνουμε τη συμμόρφωση κατά DIN 66399-2 με τα επίπεδα ασφαλείας που παρουσιάζονται στην προδιαγραφή προϊόντος.

**CE** Η σήμανση CE στη συσκευή επιβεβαιώνει τη συμμόρφωση.

Η δήλωση συμμόρφωσης διατίθεται στο [www.hp.com/officeequipment](http://www.hp.com/officeequipment)

## Κατασκευαστής

GO Europe GmbH  
Zum Kraftwerk 1  
D-45527 Hattingen  
Γερμανία

## Pročitajte upute za uporabu



Pažljivo pročitajte ove upute za uporabu i slijedite ih prilikom rukovanja Vašim uništavačem dokumenata. Sačuvajte ove upute za slučaj da će Vam trebati kasnije.

## Uporaba u skladu s namjenom

Vaš uništavač dokumenata prikladan je za usitnjavanje papira, kreditnih kartica, uredskih spajalica i spajalica za papir. Uništavač dokumenata prikladan je isključivo za privatnu uporabu u zatvorenim prostorijama.

Spava drugačija uporaba smatra se neispravnom. Samoinicijativne promjene ili zahvati na stroju nisu dozvoljeni te kao posljedicu mogu imati gubitak garancijskog prava.

## Slijedite sigurnosne upute

Pročitajte i imajte na umu upozorenja kako biste zaštitili sebe i okolinu.



### Upozorenje!

Opasnost od ozljeda koje može uzrokovati uvlačni mehanizam. Labave predmete može zahvatiti uvlačni mehanizam, što može uzrokovati ozljede. Prste, kosu, šalove, kravate, nakit i sl. držite podalje od utora za umetanje materijala.



### Upozorenje!

Opasnost od ozljeda uslijed strujnog udara. Pogrešno rukovanje uništavačem dokumenata može izazvati strujni udar. Samoinicijativne promjene ili zahvati na uništavaču dokumenata nisu dozvoljeni. Nemojte koristiti uništavač dokumenata ako je oštećen mrežni kabel. Ako postoje oštećenja na Vašem uništavaču dokumenata ili ako ne radi ispravno, odmah ga isključite i izvucite mrežni utikač.

Preпустите поправке стручном особљу. Postavite uništavač dokumenata u blizini lako dostupne utičnice kako biste ga u hitnim slučajevima mogli brzo iskopčati iz struje. Uređaj nikada ne dodirujte mokrim rukama. Izbjegavajte svaki kontakt s vodom.



### Upozorenje!

Opasnost od gušenja malim dijelovima, ambalažnim materijalom ili zaštitnom folijom. Djeca mogu progutati male dijelove, ambalažni materijal ili zaštitnu foliju. Držite djecu podalje od uređaja i njegove ambalaže.

**Upozorenje!**

Djeca starija od osam godina i osobe s ograničenim psihičkim, senzoričkim i duševnim sposobnostima, kao i osobe koje nemaju dovoljno iskustva i/ili znanja, smiju koristiti ovaj uređaj uz nadzor ili ako su upućeni kako koristiti uređaj na siguran način te su upoznati s mogućim opasnostima. Djeca se ne smiju igrati ovim uređajem. Čišćenje i održavanje uređaja ne smiju izvoditi djeca bez nadzora odraslih.

**Oprez!**

Opasnost od spoticanja o neprikladno razvučeni mrežni kabel. Razvucite mrežni kabel tako da se o njega nitko ne može spotaknuti. Pazite da ne dođe do oštećenja na mrežnom utikaču i mrežnom kabelu.

**Važno!**

Moguć je nastanak materijalnih šteta. Izbjegavajte utjecaje okoline kao što su, primjerice, dim, prašina, trešnja, kemikalije, vlaga, vrućina ili izravna izloženost sunčevim zrakama.

Rabite uništavač dokumenata isključivo u zatvorenim prostorijama.

Kako bi Vaš uništavač dokumenata uvijek radio onako kako očekujete, slijedite sljedeće upute.



Prije puštanja u rad pročitajte upute za uporabu.



Ako imate dugu kosu, držite je podalje od uređaja.



Labave dijelove odjeće, nakit ili druge labave predmete držite podalje od Vašeg uništavača dokumenata.



Držite kravate i šalove podalje od Vašeg uništavača dokumenata.



Općenite informacije o mogućim opasnostima koje zahtijevaju posebnu pozornost.



**Upozorenje!** Opasnost od ozljeda uslijed automatskog uvlačenja! Uvlačenje se pokreće automatski, čim stavite materijal. Dugu kosu, kravate, nakit, labave dijelove odjeće i druge labave predmete držite podalje od uvlačnog mehanizma Vašeg uništavača dokumenata.



Nikada ne posežite izravno u uvlačni mehanizam.



Djecu i domaće životinje držite podalje od Vašeg uništavača dokumenata.



Nemojte raspršivati zapaljive plinove u smjeru Vašeg uništavača dokumenata. Nikada nemojte koristiti sprejeve pod tlakom.



U toru stavljajte odjednom najviše 8 listova.



**Oprez!** Opasnost od ozljeda od oštrica mehanizma za rezanje!



Kreditne kartice umećite isključivo okomito.

## Provjerite sadržaj ambalaže

Prije puštanja u rad Vašeg uništavača dokumenata provjerite sadržaj njegove ambalaže.

Ako nešto nedostaje ili je oštećeno, ni u kojem slučaju nemojte uključivati Vaš uništavač dokumenata. Kontaktirajte naš servis.

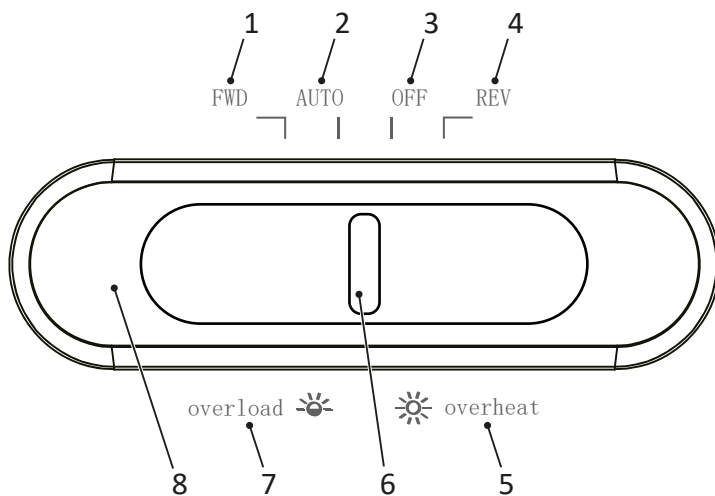
- Uništavač dokumenata OneShred 8CC sa spremnikom za izrezani materijal
- Upute za upotrebu
- 1 list uljnog papira

## Dijelovi Vašeg uništavača dokumenata

Na sljedećoj slici prikazani su dijelovi Vašeg uništavača dokumenata.



1	Glavni prekidač	5	Ručka
2	Prikaz statusa	6	Kontrolni prozor
3	Utor	7	Spremnik
4	Rezna jedinica		



1	Ručni radni režim	5	Pregrijavanje
2	Automatski radni režim	6	Glavni prekidač
3	Uređaj isklj.	7	Preopterećenost
4	Povrat	8	Prikaz statusa

## Postavljanje uništavača dokumenata i puštanje u rad

Vaš uništavač dokumenata funkcionira samo sa spremnikom. Nemojte postavljati uništavač dokumenata u blizini izvora topline. Ostavite razmak do zida od najmanje 10 cm. Zahvaljujući tome će se uređaj moći dostatno ohladiti.

- 1 Spremnik postavite tako da stoji stabilno, odnosno na ravnoj vodoravnoj površini i u blizini lako dostupne utičnice.
- 2 Postavite reznju jedinicu na spremnik. Reznja jedinica će se uklopiti uz karakterističan zvuk. Ako se reznja jedinica ne uklopi ispravno na spremnik, uređaj se ne može uključiti.



### Oprez!

Opasnost od ozljeda od oštrica mehanizma za rezanje! Donja strana rezne jedinice ima oštre bridove. Hvatajte reznju jedinicu isključivo za ručke.

- 3 Gurnite glavni prekidač u položaj **OFF** i uključite mrežni utikač u utičnicu.
- 4 Gurnite glavni prekidač u položaj **AUTO**.  
→ Vaš uništavač dokumenata sada je spreman za rad. Prikaz statusa svijetli plavom bojom.



## Rukovanje uništavačem dokumenata

Vaš uništavač dokumenata radi s automatskim usitnjavanjem. Uništavačem dokumenata se upravlja pomicanjem glavnog prekidača.

### Automatsko usitnjavanje materijala

Pazite na najveći dozvoljenu snagu rezanja i druge tehničke podatke navedene u specifikacijama.



#### Upozorenje!

Opasnost od ozljeda uslijed automatskog uvlačenja! Uvlačenje se pokreće automatski, čim stavite materijal. Dugu kosu, kravate, nakit, labave dijelove odjeće i druge labave predmete držite podalje od uvlačnog mehanizma Vašeg uništavača dokumenata.

### Važno!

Materijalne štete uzrokovane zaglavljivanjem materijala! Pazite na najveću snagu rezanja mehanizma za uvlačenje.

- 1 Materijal koji želite usitniti postavljajte po sredini utora.
  - ➔ Utor uvlači materijal i zaustavlja se kada nema više materijala.

### Ručno usitnjavanje materijala

U rijetkim se slučajevima može dogoditi da senzori ne prepoznaju umetnuti materijal.

- 1 Gurnite glavni prekidač u položaj **FWD**.
  - ➔ Materijal se uvlači ručno i usitnjava.
- 2 Gurnite glavni prekidač u položaj **OFF**.

### Isključivanje uništavača dokumenata

Ako više nećete koristiti uređaj, isključite ga.

- 1 Gurnite glavni prekidač u položaj **OFF**.
  - ➔ Isključili ste uništavač dokumenata.
- 2 Ako uništavač dokumenata nećete koristiti dulje vrijeme, izvucite mrežni utikač iz utičnice.

## Ako nešto ne radi kako treba

Sljedeće informacije pomoći će Vam u slučaju kada nešto ne radi onako kako očekujete.

### Zaštita od pregrijavanja

Uređaj se u slučaju pregrijavanja automatski isključuje. Prikaz statusa svijetli crvenom bojom.

- 1 Pričekajte najmanje 50 minuta da se uređaj ohladi. Pazite na minimalni razmak do zida i na podatke o radu bez prekida iz tehničkih podataka.

➔ Nakon faze hlađenja prikaz statusa svijetli plavom bojom i usitnjavanje se može nastaviti.

### Zaštita od preopterećenja

Ako ste umetnuli više materijala nego što je navedeno u tehničkim podacima, prikaz statusa svijetli će crvenom bojom te će uništavač dokumenata nakon 5 sekundi pokrenuti automatski povrat materijala.

- 1 Izvucite materijal iz uređaja.

➔ Aktivirali ste blokadu.

- Nakon što ste iz uređaja uklonili materijal, rezna jedinica će nastaviti s radom 3 sekunde kako bi se očistila. Pričekajte da se uništavač dokumenata zaustavi i prikaz statusa zasvijetli plavom bojom.

### Podmazivanje rezne jedinice uljem

Redovito podmazujte reznu jedinicu uljem, kako biste produžili njezin vijek trajanja.

Postoji specijalno ulje i uljni papir za podmazivanje uništavača dokumenata od tvrtke HP.

#### Važno!

Materijalne štete uslijed uporabe pogrešnih ulja! Ne koristite rasprskivajuća ulja. Koristite isključivo specijalno ulje namijenjeno za uništavače dokumenata.

Postoje različite mogućnosti kako podmazati reznu jedinicu.

#### Podmazivanje papirom koji ste sami nauljili:

- 1 Nanesite specijalno ulje za uništavače dokumenata u više poprečnih linija na list papira.

- 2 Nauljeni list papira umetnite u utor.

➔ Papir premazan uljem uvući će se i podmazati reznu jedinicu.

#### Podmazivanje uljnim listovima

- 1 Umetnite uljni papir u utor.

➔ Papir premazan uljem uvući će se i podmazati reznu jedinicu.

## Pražnjenje spremnika

Potrebno je redovito provjeravati kroz kontrolni prozorčić napunjenost spremnika te ga isprazniti ako je napunjen oko 80 %. Tako ćete spriječiti da se usitnjeni materijal zaglavљуje i tako uzrokuje neispravan rad uređaja.

**1** Gurnite glavni prekidač u položaj **OFF**.

**2** Izvucite utikač iz utičnice.



### Oprez!

Opasnost od ozljeda od oštrica mehanizma za rezanje! Donja strana rezne jedinice ima oštre bridove. Hvatajte reznu jedinicu isključivo za ručke.

**3** Izvucite reznu jedinicu iz spremnika.

**4** Ispraznite spremnik.



### Oprez!

Opasnost od ozljeda od oštrica mehanizma za rezanje! Donja strana rezne jedinice ima oštre bridove. Hvatajte reznu jedinicu isključivo za ručke.

**5** Postavite reznu jedinicu na spremnik.

➔ Spremnik će se uklopiti uz karakterističan zvuk.

## Uklanjanje ostataka materijala

Ako Vaš uništavač dokumenata više ne usitnjava materijal onako kako biste očekivali, uklonite zaostale ostatke materijala iz rezne jedinice.

**1** Gurnite glavni prekidač u položaj **REV**. Rezna jedinica radi unatrag i oslobađa zaostali materijal.

**2** Gurnite glavni prekidač u položaj **OFF**.

**3** Izvucite utikač iz utičnice.

**4** Izvadite reznu jedinicu iz spremnika.



### Oprez!

Opasnost od ozljeda od oštrica mehanizma za rezanje! Budite posebno oprezni prilikom uklanjanja ostataka materijala.

**5** Ostatke materijala oprezno uklonite iz rezne jedinice pomoću prikladnog oštrog predmeta.

**6** Postavite reznu jedinicu na spremnik.

## Čišćenje uništavača dokumenata

Redovito čistite uništavač dokumenata.



### Oprez!


Opasnost od ozljeda uzrokovanih plamenim jezikom! Kod uporabe spreja pod tlakom može doći do stvaranja plamenog jezika. Nikada nemojte koristiti sprejeve pod tlakom.

- 1 Gurnite glavni prekidač u položaj **OFF**.
- 2 Izvucite utikač iz utičnice.
- 3 Površine kućišta čistite mekom i suhom krpom koja ne ostavlja vlakna. Nemojte koristiti sprejeve pod tlakom, sredstva za pranje i otapala.

## Tehnički podaci

Model	Dimenzije (mm)	Stupanj sigurnosti prema normi DIN 66399-2	Krupni rezani materijal (debljina × širina, mm)	Najveća snaga rezanja (listovi / kreditna kartica)	Radna širina (mm)	Napajanje strujom:	Zapremnina spremnika (l)	Težina (kg)	Buka (dB)	Neprekidan rad (min) / vrijeme hlađenja (min)	Radna brzina (m/min)	Način rezanja
One-Shred 8CC	Š: 320 D: 190 V: 416	P-4	5 × 18	8 / 1	220	220 - 240 V, 50 - 60 Hz, 1,2 A, 200 W	15	4,3	68	4 / 50	1,8	Križni rez

## Zbrinjavanje

 Simbol pored znači da se dotrajali električni i elektronički uređaji prema zakonu moraju zbrinjavati odvojeno od otpada iz kućanstva. Zbrinjavanje je besplatno. Zbrinite Vaš uređaj na sabirnom mjestu Vašeg komunalnog poduzeća za zabrinjavanje otpada. Zbrinite ambalažni materijal sukladno lokalnim propisima.



## Upute za spremanje

Uništavač dokumenata nakon uporabe treba spremi na siguran način. Slijedite sljedeće upute:

Čuvajte uništavač dokumenata

- isključivo u originalnom pakovanju
- na suhom i čistom mjestu
- Isključivo u ohlađenom stanju

## Pitanja i servis

Poštovani,

hvala što ste odlučili za ovaj proizvod.

Ako uređaj ne bude funkcionirao prema Vašim očekivanjima ili ako je neispravan, kontaktirajte prodajno mjesto na kojem ste kupili ovaj uređaj.

## Izjava o sukladnosti

Potvrđujemo sukladnost prema DIN 66399-2 sa stupnjevima sigurnosti navedenima u specifikacijama proizvoda.

 CE-oznaka na uređaju predstavlja potvrdu o sukladnosti.

Izjava o sukladnosti dostupna je na [www.hp.com/officeequipment](http://www.hp.com/officeequipment)

## Proizvođač

GO Europe GmbH  
 Zum Kraftwerk 1  
 D-45527 Hattingen  
 Njemačka

## A kezelési útmutató elolvasása



Figyelmesen olvassa el a kezelési útmutatót, és vegye figyelembe az utasításokat az iratmegsemmisítő kezelése során. A kezelési útmutatót őrizze meg későbbi felhasználás céljából.

## Rendeltetésszerű használat

Az iratmegsemmisítő papír, bankkártya, gemkapocs és tűzőkapocs aprítására alkalmas. Az iratmegsemmisítő kizárólag otthoni, zárt térben történő használatra alkalmas.

Minden más jellegű használat nem rendeltetésszerű. Tilos a készülék átalakítása vagy átépítése és a szavatosság megszűnését vonja magával.

## Vegye figyelembe a biztonsági tudnivalókat

Önmaga és a környezet védelme érdekében olvassa el és vegye figyelembe a figyelmeztető tudnivalókat.



### Figyelmeztetés!

Sérülésveszély a behúzómechanizmus miatt. A lelógó tárgyak becsípődhetnek a behúzóba és sérülést okozhatnak. Tartsa távol az ujját, haját, sálját, nyakkendőjét, ékszerét stb. a behúzótól.



### Figyelmeztetés!

Áramütés miatti sérülés veszélye. Az iratmegsemmisítő hibás kezelése áramütéshez vezethet. Tilos az iratmegsemmisítő bármilyen önkényes módosítása vagy átalakítása. Ne üzemeltesse az iratmegsemmisítőt sérült hálózati kábellel. Sérülés vagy rendellenes működés esetén azonnal kapcsolja ki az iratmegsemmisítőt, és húzza ki a csatlakozódugót a csatlakozóaljzathoz.

A javításokat csak képzett szakemberrel végeztesse. Az iratmegsemmisítőt könnyen hozzáférhető csatlakozóaljzat közelében helyezze el, így vészhelyzet esetén gyorsan leválaszthatja az elektromos hálózatról. Soha ne fogja meg nedves kézzel az iratmegsemmisítőt. Kerülje a készülék vízzel való mindenfajta érintkezését.



### Figyelmeztetés!

Fulladásveszély az apró alkatrészek, csomagolóanyagok vagy védőfóliák miatt. Gyermekek lenyelhetik az apró alkatrészeket, illetve a csomagolóanyagok és védőfóliák darabjait. Tartsa távol a gyermekeket a készüléktől és csomagolásától.

**Figyelmeztetés!**

A készüléket nyolc éves vagy annál idősebb gyermekek, illetve fizikai, érzékelési vagy mentális képességeikben korlátozott személyek, valamint a kellő tudással és tapasztalattal nem rendelkező személyek is használhatják, amennyiben felügyeletük biztosított, vagy ha felvilágosították őket a készülék biztonságos használatáról, illetve az abból eredő veszélyekről. Gyermekek nem játszhatnak a készülékkel. A készülék tisztítását és felhasználói karbantartását gyermekek nem végezhetik felügyelet nélkül.

**Vigyázat!**

Botlásveszély a hálózati kábel szakszerűtlen elhelyezése következtében. Úgy helyezze el a hálózati kábelt, hogy senki ne botolhasson meg benne. Ügyeljen arra, hogy a csatlakozódugó és a hálózati kábel ne sérülhessen meg.

**Fontos!**

Anyagi károk veszélye. Ne tegye ki a készüléket környezeti behatásoknak, amilyen pl. a füst, por, rázkódás, vegyszerek, nedvesség, hó vagy közvetlen napsugárzás.

Az iratmegsemmisítőt csak zárt helyiségben használja.

Az alábbi tudnivalók figyelembe vétele segítségére lesz abban, hogy iratmegsemmisítője mindig úgy működjön, ahogyan azt Ön elvárja.



Használatbavétel előtt olvassa el a kezelési útmutatót.



Tartsa távol a hosszú haját az iratmegsemmisítőtől.



A ruházat kilógó részeit, az ékszereket vagy más lelógó tárgyakat tartsa távol az iratmegsemmisítőtől.



Tartsa távol a nyakkendőket és a sálakat az iratmegsemmisítőtől.



Különös figyelmet igénylő, lehetséges veszélyekkel kapcsolatos általános tudnivalók.



**Figyelmeztetés!** Sérülésveszély az automatikus behúzó miatt! A behúzás automatikusan elkezdődik az anyag behelyezésekor. A ruházat kilógó részeit, a nyakkendőket, ékszereket, hosszú haját vagy más lelógó tárgyakat tartsa távol a készüléktől.



Soha ne nyúljon közvetlenül a behúzóba.



A gyermekeket és háziállatokat tartsa távol az iratmegsemmisítőtől.



Ne permetezzen gyúlékony gázokat az iratmegsemmisítő irányába. Soha ne használjon sűrített levegő spray-t.



Egyszerre legfeljebb 8 lapot helyezzen a behúzóba.



**Vigyázat!** Sérülésveszély az éles vágómű miatt!



Bankkártyákat csak függőlegesen helyezzen be.

## A csomagolás tartalmának ellenőrzése

Az iratmegsemmisítő üzembe helyezése előtt ellenőrizze a csomag tartalmát.

Ha valami hiányzik vagy megsérült, semmiképpen ne helyezze üzembe az iratmegsemmisítőt. Forduljon szervizünkhöz.

- OneShred 8CC iratmegsemmisítő az apríték felfogására szolgáló gyűjtőtartállyal
- Kezelési útmutató
- 1 lap paraffinált papír

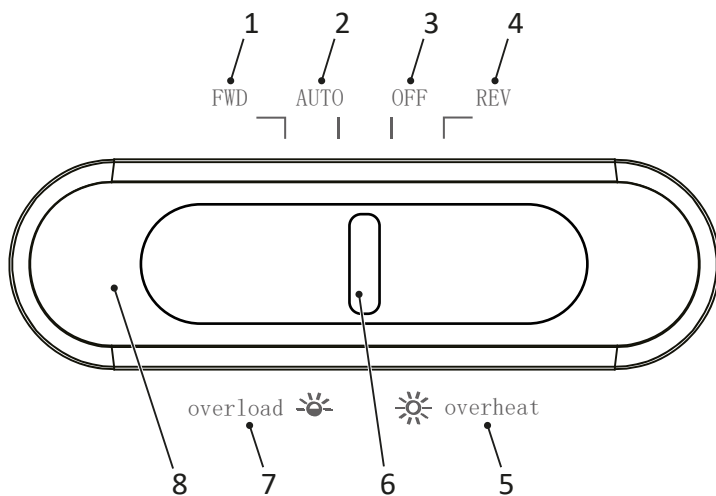
## Az iratmegsemmisítő részei

A következő ábrán láthatók az iratmegsemmisítő részei.



1	főkapcsoló	5	fogantyú
2	állapotkijelző	6	kémlelőablak
3	behúzó	7	gyűjtőtartály
4	vágófej		





1	kézi üzemmód	5	túlmelegedés
2	automata üzemmód	6	főkapcsoló
3	készülék kikapcsológomb	7	túlterhelés
4	fordított üzemmód	8	állapotkijelző

## Az iratmegsemmisítő felállítása és üzembe helyezése

Az iratmegsemmisítő csak a gyújtótartállyal együtt működik. Az iratmegsemmisítőt ne hőforrás közelében és a faltól legalább 10 cm távolságra helyezze el. Így biztosított a megfelelő hűtés.

- 1 A gyújtótartályt stabilan állítsa fel egy sima, vízszintes felületre, egy könnyen hozzáférhető csatlakozóaljzat közelében.
- 2 Helyezze a vágófejet a gyújtótartályra. A vágófej hallhatóan bepattan. Ha a vágófej nem illeszkedik megfelelően a gyújtótartályra, akkor az iratmegsemmisítő nem kapcsolható be.



### Vigyázat!

Sérülésveszély az éles vágómű miatt! A vágómű alsó részén éles peremek találhatók. A vágóművet csak a fogantyúnál fogja meg.

- 3 A főkapcsolót tolja **OFF** állásba és csatlakoztassa a csatlakozódugót a csatlakozóaljzatba.
  - 4 A főkapcsolót tolja **AUTO** állásba.
- ➔ Üzembe helyezte az iratmegsemmisítőt. Az állapotkijelző kéken világít.

## Az iratmegsemmisítő kezelése

Az iratmegsemmisítő automatikus aprítással működik. Az iratmegsemmisítő a főkapcsoló eltolásával működtethető.

### Anyagok automatikus aprítása

Vegye figyelembe a maximális vágásteljesítményt és a műszaki adatoknál megadott további részleteket.



#### Figyelmeztetés!

Sérülésveszély az automatikus behúzó miatt! A behúzás automatikusan elkezdődik az anyag behelyezésekor. A ruházat kilógó részeit, a nyakkendőket, ékszereket, hosszú hajjat vagy más lelógó tárgyakat tartsa távol a készüléktől.

### Fontos!

Anyagi károk az anyag elakadása következtében! Vegye figyelembe a behúzó maximális vágási teljesítményét.

- 1 Az aprítani kívánt anyagot középre igazítva helyezze be a behúzóba.
  - ➔ A behúzó behúzza az anyagot és leáll, ha megszűnik az anyag adagolása.

### Anyagok kézi aprítása

Ritkán előfordulhat, hogy az érzékelők nem ismerik fel a behelyezett anyagot.

- 1 A főkapcsolót tolja **FWD** állásba.
  - ➔ Megtörténik az anyag kézi behúzása és felaprítása.
- 2 A főkapcsolót tolja **OFF** állásba.

### Az iratmegsemmisítő kikapcsolása

Ha már nem használja az iratmegsemmisítőt, kapcsolja ki.

- 1 A főkapcsolót tolja **OFF** állásba.
  - ➔ Kikapcsolta az iratmegsemmisítőt.
- 2 Húzza ki a csatlakozódugót a csatlakozóaljzatból, ha az iratmegsemmisítőt hosszabb ideig nem használja.

## Ha valami nem működik

A következő utasítások segítenek Önnek, ha valami nem úgy működik, ahogyan várta.

### Túlmelegedés elleni védelem

Az iratmegsemmisítő túlmelegedés esetén automatikusan kikapcsol. Az állapotkijelző pirosan világít.

- 1 Várjon legalább 50 percet, amíg az iratmegsemmisítő lehűl. Ügyeljen a falhoz képesti minimális távolságra és vegye figyelembe a folyamatos működésre vonatkozóan a műszaki adatokban megadottakat.

➔ A lehűlési szakasz után az állapotkijelző kéken világít, és az aprítás folytatódik.

### Túlterhelés elleni védelem

Amennyiben több anyagot helyezett be, mint amennyi a műszaki adatoknál meg van adva, az állapotkijelző pirosan villog, és az iratmegsemmisítő elindítja az automata fordított üzemmódot 5 másodperc erejéig.

- 1 Húzza ki az anyagot az iratmegsemmisítőből.

➔ Megszüntette az elakadást.

- Miután az anyag eltávolításra került az iratmegsemmisítőből, a vágómű 3 másodpercig tovább mozog és ezáltal megtisztítja önmagát. Várjon, amíg az iratmegsemmisítő újból leáll, és az állapotkijelző kéken világít.

### A vágómű olajozása

Az iratmegsemmisítő élettartamának meghosszabbítása céljából rendszeres időközönként olajozza meg a vágóművet.

Kapható speciális olaj és paraffinált papír a HP iratmegsemmisítőhöz.

### Fontos!

Anyagi károk veszélye nem megfelelő olajok használata esetén! Ne használjon olajspray-t. Kizárólag az iratmegsemmisítőhöz való speciális olajat használjon.

A vágóművet többféleképpen megolajozhatja.

### Olajozás olajozott papírral:

- 1 Az iratmegsemmisítőhöz való speciális olajat több keresztirányú csíkban vigye fel egy papírlapra.
- 2 Helyezze be az olajozott papírlapot a behúzóba.
  - ➔ Az olajjal átitatott papírt a készülék behúzza, így megolajozza a vágóművet.

## Olajozás paraffinált papírlapokkal

- 1 Helyezze be a paraffinált papírt a behúzóba.  
→ Az olajjal átítatott papírt a készülék behúzza, így megolajozza a vágóművet.

## A gyűjtőtartály ürítése

A gyűjtőtartály telítettségét a kémlelőablakon keresztül rendszeresen ellenőrizni kell, és kb. 80%-os telítettségénél ki kell üríteni. Így megakadályozza a felaprított anyag elakadását, ami működési hibát okozna.

- 1 A főkapcsolót tolja **OFF** állásba.
- 2 Húzza ki a hálózati csatlakozódugót a csatlakozóaljzatból.



### Vigyázat!

Sérülésveszély az éles vágómű miatt! A vágómű alsó részén éles peremek találhatók. A vágóművet csak a fogantyúnál fogja meg.

- 3 Távolítsa el a vágófejet a gyűjtőtartályról.
- 4 Ürítse ki a gyűjtőtartályt.



### Vigyázat!

Sérülésveszély az éles vágómű miatt! A vágómű alsó részén éles peremek találhatók. A vágóművet csak a fogantyúnál fogja meg.

- 5 Helyezze a vágófejet a gyűjtőtartályra.  
→ A gyűjtőtartály hallhatóan bepattan.

## Anyagdarabkák eltávolítása

Ha az iratmegsemmisítő már nem az elvártaknak megfelelően aprítja fel az anyagot, akkor távolítsa el az ott maradt anyagdarabkákat a vágóműből.

- 1 A főkapcsolót tolja **REV** állásba. A vágómű visszafelé mozog, és szabaddá teszi a benne maradt anyagot.
- 2 A főkapcsolót tolja **OFF** állásba.
- 3 Húzza ki a hálózati csatlakozódugót a csatlakozóaljzatból.
- 4 Távolítsa el a vágófejet a gyűjtőtartályról.



### Vigyázat!

Sérülésveszély az éles vágómű miatt! Az anyagmaradványok eltávolítását különösen óvatosan végezze.

- 5 Egy alkalmas hegyes tárggyal óvatosan távolítsa el a bent maradt anyagdarabkákat a vágóműből.
- 6 Helyezze a vágófejet a gyűjtőtartályra.

## Az iratmegsemmítő tisztítása

Rendszeres időközönként tisztítsa meg az iratmegsemmítőt.



### Vigyázat!

Sérülésveszély kiáramló nagy nyomású gáz meggyulladásáa következtében! Sűrített levegő spray-k használata során a kiáramló gáz meggyulladhat. Soha ne használjon sűrített levegő spray-t.

- 1 A főkapcsolót tolja **OFF** állásba.
- 2 Húzza ki a hálózati csatlakozódugót a csatlakozóaljzatból.
- 3 Tisztítsa meg a készülék burkolatát puha, száraz, szőszmentes kendővel. Ne használjon sűrített levegős spray-eket, tisztító- és oldószereket.

## Műszaki adatok

Modell	Méretek (mm)	DIN 66399-2 szerinti biztonsági fokozat	Apríték mérete (vastagság × szélesség, mm)	max. vágási teljesítmény (lap/bankártya)	Munkaszélesség (mm)	Áramellátás	Gyűjtőtartály befogadóképessége (l)	Súly (kg)	Zajszint (dB)	Folyamatos működés (perc) / lehűlési idő (perc)	Üzemelési sebesség (m/perc)	Vágástípus
One Shred 8CC	Sz: 320 H: 190 M: 416	P-4	5 × 18	8 / 1	220	220 - 240 V, 50 - 60 Hz, 1,2 A, 200 W	15	4,3	68	4 / 50	1,8	Kon- fetti- vágás

## Ártalmatlanítás



Az oldalsó szimbólum azt jelenti, hogy a használt elektromos vagy elektronikus készülékeket a törvényi szabályozás alapján a háztartási hulladéktól elkülönítve kell ártalmatlanítani. Az ártalmatlanítás ingyenes. A használt készüléket adja le a helyi hulladékfeldolgozó átvétőhelyén. A csomagolóanyagokat a helyi előírásoknak megfelelően ártalmatlanítsa.



## Tárolásra vonatkozó tudnivalók

Használat után az iratmegsemmisítőt biztonságosan kell tárolni. Vegye figyelembe a következő tudnivalókat:

Az iratmegsemmisítőt csak

- az eredeti csomagolásban
- száraz, tiszta helyen
- csak lehűlt állapotban tárolja.

## Kérdések és szerviz

Tisztelt Ügyfelünk!

Köszönjük, hogy ezt a terméket választotta.

Amennyiben a termék nem az elvárásainak megfelelően működik vagy hibás, forduljon a kereskedőhöz, akinél a terméket beszerezte.

## Megfelelőségi nyilatkozat

Igazoljuk, hogy a termék a DIN 66399-2 jelű szabvány szerint megfelel a termékspecifikációban feltüntetett biztonsági fokozatoknak.



A készüléken látható CE-jelölés igazolja a megfelelőséget.

A megfelelőségi nyilatkozatot a [www.hp.com/officeequipment](http://www.hp.com/officeequipment) oldalon találja.

## Gyártó

GO Europe GmbH  
Zum Kraftwerk 1  
D-45527 Hattingen  
Deutschland

## Leggere le istruzioni d'uso



Leggere attentamente le istruzioni d'uso e osservare le indicazioni in esse riportate durante l'utilizzo del distruggidocumenti. Conservare le istruzioni d'uso per riferimento futuro.

## Impiego conforme agli usi previsti

Il vostro distruggidocumenti è preposto alla frantumazione di carta, carte di credito, graffette e puntine metalliche. Il distruggidocumenti è destinato esclusivamente ad uso privato in ambienti chiusi.

Qualsiasi altro impiego è considerato improprio. Non sono ammesse modifiche o trasformazioni non autorizzate che comportano la perdita della garanzia legale.

## Osservare le indicazioni di sicurezza

Leggere e osservare le indicazioni di avvertimento allo scopo di proteggere se stessi e l'ambiente.



### Avvertenza!

Pericolo di lesioni dovuto al meccanismo di caricamento! Oggetti mobili possono incastrarsi nella fessura di caricamento e causare lesioni. Tenere lontano dita, capelli, scarpe, cravatte, bigiotteria ecc. dalla fessura di caricamento.



### Avvertenza!

Pericolo di lesioni dovuto a scossa elettrica. Un impiego errato del distruggidocumenti può causare scosse elettriche. Non sono ammesse modifiche o variazioni arbitrarie effettuate sul distruggidocumenti. Il distruggidocumenti non va adoperato con un cavo di alimentazione difettoso o danneggiato. In presenza di guasti o di malfunzionamento, disinserire immediatamente il distruggidocumenti scollegando la spina dalla rete di alimentazione.

Affidare eventuali riparazioni solo a personale tecnico qualificato. Assicurarsi che il distruggidocumenti sia collegato ad una presa elettrica di facile accesso, in modo da poter scollegare rapidamente il distruggidocumenti dalla rete elettrica in caso di emergenza. Non toccare mai con mani bagnate. Evitare qualsiasi contatto con acqua.



### Avvertenza!

Pericolo di soffocamento dovuto a componenti piccoli, materiali d'imballo o pellicole protettive! I bambini possono ingerire componenti piccoli, materiali d'imballo o pellicole protettive. Tenere l'apparecchio e la confezione lontani dalla portata dei bambini.

**Avvertenza!**

L'apparecchio può essere utilizzato da bambini di età superiore agli otto anni e da persone con ridotte capacità fisiche, sensoriali o intellettive, o con mancanza di esperienza e/o conoscenza, solo se sorvegliati o istruiti circa l'uso sicuro dell'apparecchio e i pericoli da esso derivanti. Ai bambini non è consentito giocare con l'apparecchio. Non affidare i lavori di pulizia e manutenzione a cura dell'utente a bambini in mancanza di sorveglianza.

**Attenzione!**

Pericolo di inciampare dovuto alla posa non corretta del cavo di alimentazione. Posare il cavo di alimentazione in modo che nessuno vi possa inciampare. Evitare il subentro di danni alla spina e al cavo di alimentazione.

**Importante!**

Pericolo di danni materiali! Evitare influssi ambientali come ad es. fumo, polvere, vibrazioni, sostanze chimiche, umidità, calore o raggi solari diretti.

Utilizzare il distruggidocumenti solo in ambienti chiusi.

Osservare le seguenti indicazioni in modo da garantire un funzionamento conforme e corretto del proprio distruggidocumenti.



Si prega di leggere attentamente le istruzioni d'uso prima di mettere in funzione l'apparecchio.



Non avvicinarsi con capelli lunghi e sciolti al distruggidocumenti.



Tenere lontano lembi di abbigliamento, bigiotteria o altri oggetti liberi/sciolti dal distruggidocumenti.



Tenere lontano cravatte e sciarpe dal distruggidocumenti.



Informazioni generali su possibili pericoli che richiedono una particolare attenzione.



**Avvertenza!** Pericolo di lesioni dovuto al caricamento automatico! La fessura di caricamento si mette in funzione automaticamente appena viene introdotto materiale. Tenere lontano dal distruggidocumenti capelli lunghi, cravatte, gioielli, lembi di abbigliamento e altri oggetti liberi.



Non introdurre mai le mani nella fessura di caricamento.



Tenere lontano bambini e animali domestici dal distruggidocumenti.



Non puntare o spruzzare gas infiammabili in direzione del vostro distruggidocumenti. Non utilizzare mai spray ad aria compressa.



Introdurre massimo 8 fogli contemporaneamente nella fessura di caricamento.



**Attenzione!** Pericolo di lesioni dovuto al gruppo di taglio affilato!



Introdurre le carte di credito solo verticalmente.



## Verificare il contenuto della confezione

Verificare il contenuto della confezione del proprio distruggidocumenti prima di mettere in funzione l'apparecchio.

In caso dovesse mancare qualcosa o risultare danneggiato, non mettere per nessun motivo in funzione il distruggidocumenti. Rivolgersi al nostro servizio di assistenza.

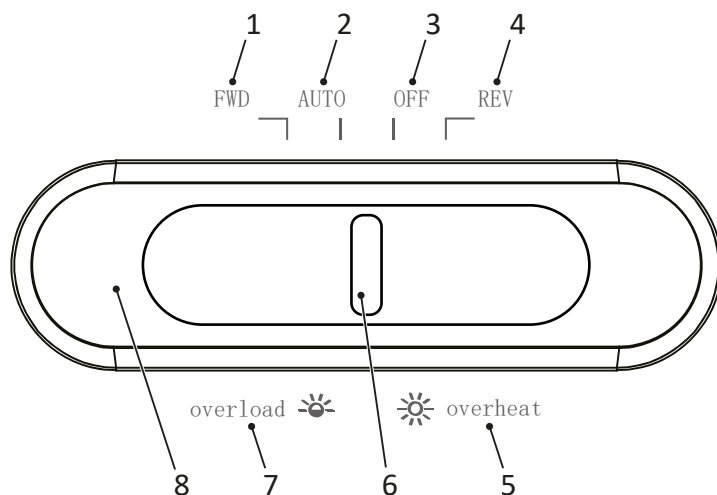
- Distruggidocumenti OneShred 8CC con recipiente di raccolta per frammenti
- Istruzioni d'uso
- 1 foglio di carta oleata

## Vista dettagliata del distruggidocumenti

La seguente figura illustra il distruggidocumenti in dettaglio.



1	Interruttore generale	5	Impugnatura
2	Indicatore di stato	6	Finestra
3	Fessura di caricamento	7	Recipiente di raccolta
4	Copertura del gruppo di taglio		



1	Funzionamento manuale	5	Surriscaldamento
2	Funzionamento automatico	6	Interruttore generale
3	Apparecchio spento	7	Sovraccarico
4	Retromarcia	8	Indicatore di stato

## Posizionamento e messa in funzione del distruggidocumenti

Il distruggidocumenti funziona solo in combinazione con il recipiente di raccolta. Non disporre il distruggidocumenti in prossimità di sorgenti di calore e mantenere una distanza minima di 10 cm dalla parete. In questo modo il distruggidocumenti si raffredda a sufficienza.

- 1 Posizionare il recipiente di raccolta su una superficie piana, orizzontale e vicina ad una presa elettrica di facile accesso.
- 2 Posizionare la copertura del gruppo di taglio sopra il recipiente di raccolta. La copertura del gruppo di taglio scatta in posizione in maniera udibile. Se il gruppo di taglio non risulta montato correttamente sul recipiente di raccolta, il distruggidocumenti non si lascia mettere in funzione.



### Attenzione!

Pericolo di lesioni dovuto al gruppo di taglio affilato! La parte inferiore del gruppo di taglio presenta angoli affilati e taglienti. Afferrare il gruppo di taglio solo dalle relative impugnature.

- 3 Portare l'interruttore generale in posizione **OFF** ed estrarre la spina di alimentazione dalla presa di corrente.
- 4 Portare l'interruttore generale in posizione **AUTO**.  
→ Il distruggidocumenti è in funzione. L'indicatore di stato si accende in blu.

## Esercizio del distruggidocumenti

Il distruggidocumenti effettua una frantumazione automatica. Il distruggidocumenti si lascia comandare attraverso l'interruttore generale.

### Frantumazione automatica del materiale

Osservare la prestazione di taglio massima consentita e le altre indicazioni specificate nei Dati tecnici.



#### Avvertenza!

Pericolo di lesioni dovuto al caricamento automatico! La fessura di caricamento si mette in funzione automaticamente appena viene introdotto materiale. Tenere lontano dal distruggidocumenti capelli lunghi, cravatte, gioielli, lembi di abbigliamento e altri oggetti liberi.

### Importante!

Danni materiali dovuti a materiale inceppato! Osservare la capacità di taglio massima della fessura di caricamento.

- 1 Introdurre il materiale da frantumare al centro nella fessura di caricamento.
  - ➔ La fessura di caricamento trascina il materiale e si ferma una volta esaurito il materiale da frantumare.

### Frantumazione manuale del materiale

In rari casi i sensori non sono in grado di rilevare il materiale introdotto.

- 1 Portare l'interruttore generale in posizione **FWD**.
  - ➔ Il materiale viene introdotto manualmente e quindi frantumato.
- 2 Portare l'interruttore generale in posizione **OFF**.

### Disinserimento del distruggidocumenti

Spegnere il distruggidocumenti dal momento che non lo si vuole utilizzare più.

- 1 Portare l'interruttore generale in posizione **OFF**.
  - ➔ Il distruggidocumenti è spento.
- 2 Scollegare il connettore di rete dalla presa di corrente quando non si utilizza il distruggidocumenti per un periodo prolungato.

## Malfunzionamenti

Le seguenti indicazioni sostengono l'utilizzatore in presenza di guasti o malfunzionamenti.

### Protezione da surriscaldamento

Il distruggidocumenti si spegne automaticamente in caso di surriscaldamento. L'indicatore di stato si accende in rosso.

- 1 Attendere minimo 50 minuti il raffreddamento del distruggidocumenti. Osservare la distanza minima dalla parete e le indicazioni riferite all'esercizio continuo riportate nei Dati tecnici.
  - ➔ Alla fine della fase di raffreddamento, l'indicatore di stato si accende in blu mentre la frantumazione prosegue.

### Protezione da sovraccarico

Avendo introdotto più materiale di quanto indicato nei Dati tecnici, l'indicatore di stato lampeggia e il distruggidocumenti attiva per 5 secondi la retromarcia.

- 1 Estrarre il materiale dal distruggidocumenti.
  - ➔ Il blocco risulta rimosso.
- Una volta rimosso il materiale dal distruggidocumenti, il gruppo di taglio continua a muoversi per altri 3 secondi in modo da eliminare tutti i residui. Attendere finché il distruggidocumenti si è nuovamente fermato e l'indicatore di stato risulta acceso in blu.

### Lubrificazione del gruppo di taglio

Per prolungare la vita utile del distruggidocumenti, lubrificare il gruppo di taglio del distruggidocumenti in intervalli regolari.

HP ha in programma un olio e fogli oleati specifici per distruggidocumenti.

### Importante!

Danni materiali dovuti all'uso di oli errati! Evitare l'uso di oli a spruzzo. Utilizzare esclusivamente olio speciale per distruggidocumenti.

Vi sono vari modi per oliare il gruppo di taglio.

#### Oliatura con carta oleata in proprio

- 1 Applicare l'olio speciale per distruggidocumenti tracciando diverse linee trasversali su un foglio di carta.
- 2 Introdurre la carta oleata nel caricatore.
  - ➔ La carta inumidita di olio viene caricata lubrificando al tempo stesso il gruppo di taglio.

#### Oliatura con fogli di carta oleata

- 1 Introdurre il foglio di carta oleata nel caricatore.
  - ➔ La carta inumidita di olio viene caricata lubrificando al tempo stesso il gruppo di taglio.

## Svuotamento del recipiente di raccolta

Il livello di riempimento del recipiente di raccolta va controllato regolarmente attraverso la finestrella di livello; raggiunto un livello di riempimento pari a ca. l'80% è necessario provvedere allo svuotamento. In questo modo si evita che materiale frantumato si possa intasarsi causando malfunzionamenti dell'apparecchio.

- 1 Portare l'interruttore generale in posizione **OFF**.
- 2 Estrarre il connettore di rete dalla presa di corrente.



### Attenzione!

Pericolo di lesioni dovuto al gruppo di taglio affilato! La parte inferiore del gruppo di taglio presenta angoli affilati e taglienti. Afferrare il gruppo di taglio solo dalle relative impugnature.

- 3 Sollevare il gruppo di taglio dal recipiente di raccolta.
- 4 Svuotare il recipiente di raccolta.



### Attenzione!

Pericolo di lesioni dovuto al gruppo di taglio affilato! La parte inferiore del gruppo di taglio presenta angoli affilati e taglienti. Afferrare il gruppo di taglio solo dalle relative impugnature.

- 5 Posizionare la copertura del gruppo di taglio sopra il recipiente di raccolta.
  - ➔ Il recipiente di raccolta scatta in posizione in maniera udibile.

## Eliminazione di materiale inceppato

In caso il distruggidocumenti non frantumi più correttamente il materiale introdotto, rimuovere i residui di materiale presenti nel gruppo di taglio.

- 1 Portare l'interruttore generale in posizione **REV**. Il gruppo di taglio avanza a ritroso eliminando il materiale presente nel gruppo di taglio.
- 2 Portare l'interruttore generale in posizione **OFF**.
- 3 Estrarre il connettore di rete dalla presa di corrente.
- 4 Sollevare il gruppo di taglio dal recipiente di raccolta.



### Attenzione!

Pericolo di lesioni dovuto al gruppo di taglio affilato! Procedere con cautela durante la rimozione di residui di materiale.

- 5 Rimuovere con cautela i residui di materiale dal gruppo di taglio con un idoneo oggetto appuntito.
- 6 Posizionare la copertura del gruppo di taglio sopra il recipiente di raccolta.

## Pulizia del distruggidocumenti

Pulire il distruggidocumenti in intervalli regolari.



### Attenzione!

Pericolo di lesioni dovuto a incendio improvviso! L'uso di spray ad aria compressa può causare fiamme improvvise. Non utilizzare mai spray ad aria compressa.

- 1 Portare l'interruttore generale in posizione **OFF**.
- 2 Estrarre il connettore di rete dalla presa di corrente.
- 3 Pulire le superfici dell'involucro esterno con un panno morbido, asciutto e antipilling. Non utilizzare spray ad aria compressa, detersivi o solventi.

## Dati tecnici

Modello	Dimensioni (mm)	Livello di protezione secondo DIN 66399-2	Dimensione dei frammenti (spessore × larghezza, mm)	Max. spessore di taglio (fogli/carta di credito)	Larghezza utile (mm)	Alimentazione elettrica	Capienza del recipiente di raccolta (l)	Peso (kg)	Rumorosità (dB)	Esercizio continuo (min) / Raffreddamento (min)	Velocità operativa (m/min)	Tipo di taglio
One-Shred 8CC	P: 320 L: 190 H: 416	P-4	5 × 18	8 / 1	220	220 - 240 V, 50 - 60 Hz, 1,2 A, 200 W	15	4,3	68	4 / 50	1,8	Taglio a frammenti

## Smaltimento



Il simbolo qui accanto indica che per legge non è consentito smaltire apparecchi elettrici e/o elettronici esausti insieme ai normali rifiuti domestici. Lo smaltimento è gratuito.



Smaltire l'apparecchio esaurito consegnandolo presso un punto di raccolta istituito dalla propria società di smaltimento rifiuti comunale. Smaltire confezioni ed imballaggi conformemente alle norme locali rispettivamente in vigore.

## Indicazioni sulla conservazione

Dopo l'uso, conservare il distruggidocumenti in modo sicuro. Osservare le seguenti indicazioni:

Conservare il distruggidocumenti

- solo all'interno della confezione originale
- in un luogo asciutto e pulito
- solo se raffreddato

## Domande e assistenza

Gentile cliente,

grazie per avere scelto questo prodotto.

In caso non funzionasse come previsto, rivolgetevi al rivenditore presso il quale avete acquistato questo prodotto.

## Dichiarazione di conformità

Si dichiara la conformità ai sensi di DIN 66399-2 con le classi di protezioni indicate nella specifica prodotto.

 Il marchio CE sull'apparecchio attesta la conformità del prodotto.

La dichiarazione di conformità è disponibile su [www.hp.com/officeequipment](http://www.hp.com/officeequipment)

## Produttore

GO Europe GmbH  
Zum Kraftwerk 1  
D-45527 Hattingen  
Germania

## Gebruiksaanwijzing lezen



Lees de gebruiksaanwijzing aandachtig door en volg de instructies op bij de bediening van de papierversnipperaar. Bewaar de gebruiksaanwijzing voor toekomstig gebruik.

## Beoogd gebruik

Uw papiervernietiger is geschikt voor het versnipperen van papier, creditcards, paperclips en nietjes. De documentenvernietiger is uitsluitend geschikt voor privégebruik in gesloten ruimtes.

Elk ander gebruik wordt beschouwd als oneigenlijk. Ongeoorloofde wijzigingen of aanpassingen zijn niet toegestaan en leiden tot verlies van de garantie.

## Veiligheidsinstructies in acht nemen

Lees en volg de waarschuwingen op om uzelf en het milieu te beschermen.



### Waarschuwing!

Gevaar voor letsel door het invoermechanisme. Losse voorwerpen kunnen in de invoersleuf klem komen te zitten en letsel veroorzaken. Houd uw vingers, haar, sjaal, stropdas, sieraden enz. van de invoersleuf weg.



### Waarschuwing!

Gevaar voor letsel door een elektrische schok. Onjuiste behandeling van de papierversnipperaar kan leiden tot elektrische schokken. Ongeoorloofde wijzigingen of aanpassingen van de papierversnipperaar zijn niet toegestaan. Gebruik de papierversnipperaar niet met een beschadigd netsnoer. Als de papierversnipperaar is beschadigd of niet goed functioneert, schakelt u deze onmiddellijk uit en trekt u de stekker uit het stopcontact.

Laat reparaties altijd uitvoeren door gekwalificeerd personeel. Plaats de papierversnipperaar in de buurt van een gemakkelijk toegankelijk stopcontact, zodat de papierversnipperaar in geval van nood snel kan worden losgekoppeld van de stroomvoorziening. Nooit aanraken met natte handen. Elk contact met water vermijden.



### Waarschuwing!

Gevaar voor verstikking door kleine onderdelen, verpakkingsmaterialen of beschermende folie. Kinderen kunnen kleine onderdelen, verpakkingsmaterialen of beschermende folie inslikken. Houd kinderen uit de buurt van het apparaat en de verpakking.



### Waarschuwing!

Dit apparaat mag worden gebruikt door kinderen vanaf een leeftijd van acht jaar en door personen met verminderde lichamelijke, zintuiglijke of verstandelijke vermogens of een tekort aan ervaring en/of kennis, als zij onder toezicht werken of onderricht zijn over het veilige gebruik van het apparaat en de hieruit resulterende gevaren begrepen hebben. Kinderen mogen niet met het apparaat spelen. Reiniging en onderhoud door de gebruiker mogen niet worden uitgevoerd door kinderen zonder toezicht.



**Voorzichtig!**

Struikelgevaar door een verkeerd gelegd netsnoer. Leg het netsnoer zo neer dat niemand erover kan struikelen. Zorg ervoor dat er geen schade kan ontstaan aan de stekker en het netsnoer.

**Belangrijk!**

Schade aan eigendommen mogelijk. Uitwendige invloeden zoals rook, stof, schokken, chemicaliën, vocht, hitte of direct zonlicht vermijden.

Gebruik de papierversnipperaar alleen binnenshuis.

Neem de onderstaande instructies in acht, zodat de papierversnipperaar altijd werkt zoals u verwacht.



Lees voorafgaand aan de ingebruikneming de gebruiksaanwijzing door.



Houd lang haar uit de buurt van de papierversnipperaar.



Houd losse delen van kleding, sieraden of andere losse voorwerpen uit de buurt van de papierversnipperaar.



Houd stropdassen en sjaals uit de buurt van de papierversnipperaar.



Algemene informatie over mogelijke gevaren die uw speciale aandacht vereisen.



**Waarschuwing!** Gevaar voor letsel door automatische invoer! Het invoermechanisme start automatisch zodra materiaal wordt toegevoerd. Houd lang haar, stropdassen, sieraden, losse delen van kleding en andere losse voorwerpen uit de buurt van de invoersleuf van de papierversnipperaar.



Steek nooit uw vingers direct in de invoer.



Houd kinderen en huisdieren uit de buurt van de papierversnipperaar.



Spuit geen ontvlambare gassen in de richting van de papierversnipperaar. Gebruik nooit persluchtsprays.



Voer maximaal 8 vellen tegelijkertijd via de invoersleuf in.



**Voorzichtig!** Gevaar voor letsel door de scherpe randen van de snijeenheid!



Voer creditcards alleen verticaal in.

## Inhoud van de verpakking controleren

Controleer de inhoud van de verpakking van de papierversnipperaar voordat u de papierversnipperaar in gebruik neemt.

Als er iets ontbreekt of beschadigd is, mag u de papierversnipperaar niet gebruiken. Neem contact op met ons service center.

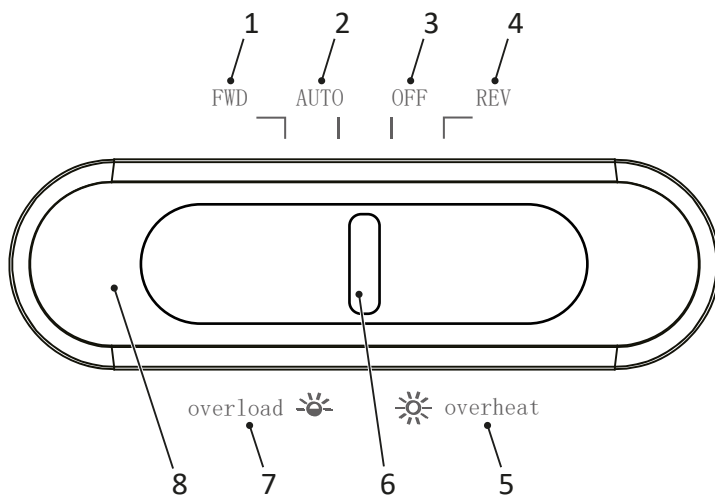
- Papierversnipperaar OneShred 8CC met opvangbak voor snippers
- Gebruiksaanwijzing
- 1 vel oliepapier

## Uw papierversnipperaar in detail

De volgende afbeelding toont de papierversnipperaar in detail.



1	Hoofdschakelaar	5	Handgreep
2	Statusweergave	6	Venster
3	Invoersleuf	7	Opvangbak
4	Snijeenheid		



1	Handmatige modus	5	Oververhitting
2	Automatisch modus	6	Hoofdschakelaar
3	Apparaat Uit	7	Overbelasting
4	Achteruit draaien	8	Statusweergave

## Papierversnipperaar plaatsen en in gebruik nemen

Uw papierversnipperaar functioneert alleen samen met de opvangbak. Plaats de papierversnipperaar niet in de buurt van warmtebronnen en houd een afstand van ten minste 10 cm tot de muur aan. Zo wordt de papierversnipperaar voldoende gekoeld.

- 1 Plaats de opvangbak stabiel op een vlakke, horizontale ondergrond en in de buurt van een gemakkelijk toegankelijk stopcontact.
- 2 Plaats de snijeenheid op de opvangbak. De snijeenheid klikt hoorbaar vast. Als de snijeenheid niet goed op de opvangbak zit, kan de papierversnipperaar niet worden ingeschakeld.



### Voorzichtig!

Gevaar voor letsel door de scherpe randen van de snijeenheid! De onderkant van de snijeenheid heeft hoeken met scherpe randen. Pak de snijeenheid alleen aan de handgrepen vast.

- 3 Schuif de hoofdschakelaar in de stand **OFF** en sluit de stekker aan op het stopcontact.
- 4 Schuif de hoofdschakelaar in de stand **AUTO**.  
→ U hebt de papierversnipperaar in werking gesteld. De statusindicator brandt blauw.

## Papierversnipperaar bedienen

De papierversnipperaar werkt met een automatische versnippering. De papierversnipperaar wordt bediend door de hoofdschakelaar te verschuiven.

### Materiaal automatisch versnipperen

Neem de maximaal toegestane snijcapaciteit en andere specificaties in de technische gegevens in acht.



#### Waarschuwing!

Gevaar voor letsel door automatische invoer! Het invoermechanisme start automatisch zodra materiaal wordt toegevoerd. Houd lang haar, stropdassen, sieraden, losse delen van kleding en andere losse voorwerpen uit de buurt van de invoersleuf van de papierversnipperaar.

### Belangrijk!

Materiële schade door materiaalstoring! Houd rekening met de maximale snijcapaciteit van het invoermechanisme.

- 1 Voer het te versnipperen materiaal in het midden van de invoersleuf in.
  - Het invoermechanisme trekt het materiaal naar binnen en stopt als er geen nieuw materiaal wordt ingevoerd.

### Materiaal handmatig versnipperen

In uitzonderlijke gevallen detecteren de sensoren het ingevoerde materiaal niet.

- 1 Schuif de hoofdschakelaar in de stand **FWD**.
  - Het materiaal wordt handmatig ingevoerd en versnipperd.
- 2 Schuif de hoofdschakelaar in de stand **OFF**.

### Papierversnipperaar uitschakelen

Schakel de papierversnipperaar uit als u de papierversnipperaar niet langer nodig hebt.

- 1 Schuif de hoofdschakelaar in de stand **OFF**.
  - U hebt de papierversnipperaar uitgeschakeld.
- 2 Trek de stekker uit het stopcontact als de papierversnipperaar langere tijd niet wordt gebruikt.

## Als er iets niet werkt

De onderstaande instructies helpen u als er iets niet zo werkt als dat u verwacht.

### Beveiliging tegen oververhitting

De papierversnipperaar schakelt zichzelf automatisch uit als hij oververhit raakt. De statusindicator brandt rood.

- 1 Wacht ten minste 50 minuten tot de papierversnipperer is afgekoeld. Neem de minimale afstand tot de muur en de specificaties voor continu gebruik in de technische gegevens in acht.
  - ➔ Na de afkoelfase brandt de statusindicator blauw en het versnipperen wordt voortgezet.

### Overbelastingsbeveiliging

Als u meer materiaal hebt ingevoerd dan aangegeven in de technische gegevens, knippert de statusindicator rood en de papierversnipperer draait automatisch gedurende 5 seconden achteruit.

- 1 Trek het materiaal uit de papierversnipperaar.
  - ➔ U hebt de blokkade opgeheven.
- Nadat het materiaal uit de papierversnipperaar is verwijderd, blijft de snijeenheid gedurende 3 seconden draaien om zichzelf te reinigen. Wacht tot de papierversnipperaar weer stilstaat en de statusindicator blauw brandt.

### Snijeenheid oliën

Olie de snijeenheid van de papierversnipperaar regelmatig om de levensduur van de papierversnipperaar te verlengen.

Speciale olie en olievellen voor papierversnipperaars zijn verkrijgbaar bij HP.

#### Belangrijk!

Materiële schade door het gebruik van verkeerde oliën! Geen oliesprays gebruiken. Uitsluitend speciale olie voor papierversnipperaars gebruiken.

U hebt verschillende mogelijkheden om de snijeenheid te oliën.

#### Oliën met zelfgeolied papier:

- 1 Breng speciale olie voor papierversnipperaars in meerdere dwarslijnen op een vellen papier aan.
- 2 Voer het geoliede vel papier via de invoersleuf in.
  - ➔ Het met olie bevochtigde papier wordt ingevoerd en oliet de snijeenheid.

#### Oliën met olievellen

- 1 Voer het olievel via de invoersleuf in.
  - ➔ Het met olie bevochtigde papier wordt ingevoerd en oliet de snijeenheid.

## Opvangbakken leegmaken

Het vulniveau van de opvangbak moet regelmatig door het kijkvenster worden gecontroleerd en vanaf een vulniveau van ca. 80 % worden geleegd. Op deze manier voorkomt u dat versnipperd materiaal zich ophoopt en tot storingen leidt.

**1** Schuif de hoofdschakelaar in de stand **OFF**.

**2** Trek de stekker uit het stopcontact.



### Voorzichtig!

Gevaar voor letsel door de scherpe randen van de snijeenheid! De onderkant van de snijeenheid heeft hoeken met scherpe randen. Pak de snijeenheid alleen aan de handgrepen vast.

**3** Til de snijeenheid van de opvangbak.

**4** Maak de opvangbak leeg.



### Voorzichtig!

Gevaar voor letsel door de scherpe randen van de snijeenheid! De onderkant van de snijeenheid heeft hoeken met scherpe randen. Pak de snijeenheid alleen aan de handgrepen vast.

**5** Plaats de snijeenheid op de opvangbak.

→ De opvangbak klikt hoorbaar vast.

## Materiaalresten verwijderen

Als de papierversnipperaar het materiaal niet langer correct versnipperd, moet u eventuele resten materiaal verwijderen uit de snijeenheid.

**1** Schuif de hoofdschakelaar in de stand **REV**. De snijeenheid draait achteruit en geeft het materiaal vrij dat in de snijeenheid is achtergebleven.

**2** Schuif de hoofdschakelaar in de stand **OFF**.

**3** Trek de stekker uit het stopcontact.

**4** Til de snijeenheid van de opvangbak.



### Voorzichtig!

Gevaar voor letsel door de scherpe randen van de snijeenheid! Ga bij het verwijderen van materiaalresten uiterst voorzichtig te werk.

**5** Verwijder eventuele resten materiaal met een geschikt puntig voorwerp voorzichtig uit de snijeenheid.

**6** Plaats de snijeenheid op de opvangbak.

## Papierversnipperaar reinigen

Reinig de papierversnipperaar regelmatig.



### Voorzichtig!

Gevaar voor letsel door steekvlam! Bij gebruik van persluchtsprays kunnen steekvlammen ontstaan. Gebruik nooit persluchtsprays.

- 1 Schuif de hoofdschakelaar in de stand **OFF**.
- 2 Trek de stekker uit het stopcontact.
- 3 Reinig het oppervlak van de behuizing met een zachte, droge, niet-pluizende doek. Gebruik geen persluchtsprays, reinigings- of oplosmiddelen.

## Technische gegevens

Model	Afmetingen (mm)	Veiligheidsniveau volgens DIN 66399-2	Grootte van de snippers (dikte × breedte, mm)	max. snijcapaciteit (vellen / creditcard)	Werkbreedte (mm)	Stroomvoorziening	Inhoud opvangbak (l)	Gewicht (kg)	Volume (dB)	Continue werking (min) / afkoeltijd (min)	Werk snelheid (m/min)	Snijwijze
OneShred 8CC	B: 320 L: 190 H: 416	P-4	5 × 18	8 / 1	220	220 - 240 V, 50 - 60 Hz, 1,2 A, 200 W	15	4,3	68	4 / 50	1,8	Micro cut

## Gescheiden inzameling

 Het symbool hiernaast betekent dat oude elektrische en elektronische apparaten op grond van wettelijke bepalingen gescheiden van het huishoudelijk afval moeten worden afgevoerd. De verwijdering is kosteloos. Breng uw apparaat naar het inzamelingspunt van uw gemeentelijke afvalverwijderingsdienst. Voer verpakkingsmaterialen in overeenstemming met de plaatselijke regelgeving af.



## Instructies voor opslag

Na gebruik moet de papierversnipperaar veilig worden opgeborgen. Neem de onderstaande instructies in acht:

Berg de papierversnipperaar op

- alleen in de originele verpakking
- op een droge, schone plaats
- alleen in afgekoelde toestand

## Vragen en service

Geachte klant,

Bedankt dat u voor dit product hebt gekozen.

Als het niet werkt zoals verwacht of defect is, neem dan contact op met de dealer bij wie u dit product hebt gekocht.

## Verklaring van overeenstemming

We bevestigen de overeenstemming volgens DIN 66399-2 met de veiligheidsniveaus die in de productspecificatie worden vermeld.

 De CE-markering op het apparaat bevestigt de overeenstemming.  
De verklaring van overeenstemming kunt u vinden op [www.hp.com/officeequipment](http://www.hp.com/officeequipment)

## Fabrikant

GO Europe GmbH  
Zum Kraftwerk 1  
D-45527 Hattingen  
Duitsland



## Les bruksanvisningen



Les grundig gjennom bruksanvisningen og følg instruksjonene ved håndtering av din makuleringsmaskin. Oppbevar bruksanvisningen for senere bruk.

## Tiltenkt bruk

Din makuleringsmaskin er egnet for makulering av papir, kredittkort, binders og stifter. Makuleringsmaskinen er utelukket egnet for privat bruk i lukkede rom.

All annen bruk ansees som ikke tiltenkt bruk. Egenmektige forandringer eller ombygginger er ikke tillatt, og fører til tap av garanti.

## Følg sikkerhetshenvisninger

Lese og følg advarsler, for å beskytte deg selv og miljøet.



### Advarsel!

Fare for personskader fra inntrekksmekanismen. Løse gjenstander kan bli fanget i inntrekket, og føre til personskader. Hold fingre, hår, sjal, slips, smykker ol. unna inntrekket.



### Advarsel!

Fare for personskader ved strømstøt. Feil håndtering av makuleringsmaskinen kan føre til strømstøt. Egenmektige forandringer eller ombygginger av makuleringsmaskinen er ikke tillatt. Bruk ikke makuleringsmaskinen med skadet nettkabel. Slå av makuleringsmaskinen umiddelbart ved skader eller funksjonsfeil, og trekk ut støpslet.

La kun kvalifisert fagpersonale gjennomføre reparasjoner. Sett opp makuleringsmaskinen i nærheten av en lett tilgjengelig stikkontakt, slik at makuleringsmaskinen i nødstillfeller raskt kan kobles fra strømmettet. Grip aldri med våte hender. Unngå enhver kontakt med vann.



### Advarsel!

Kvelningsfare ved små deler, emballasjemateriale eller beskyttelsesfolie. Barn kan spise små deler, emballasjemateriale eller beskyttelsesfolie. Hold barn unna apparatet og dets emballasje.

**Advarsel!**

Dette apparatet kan brukes av barn fra åtte år og av personer med begrensede fysiske, sensoriske eller mentale evner eller mangel på erfaring og/eller kunnskap, hvis de blir overvåket eller har fått instruksjoner, og de har mottatt instruksjoner om hvordan man bruker enheten på en sikker måte, og forstår de resulterende farene. Barn skal ikke leke med apparatet. Rengjøring og brukervedlikehold skal ikke gjennomføres av barn uten overvåkning.

**Forsiktig!**

Snublefare ved feil lagt nettkabel. Legg nettkabelen slik at ingen kan snuble i den. Pass på at det ikke kan oppstå noen skader på støpslet og nettkabelen.

**Viktig!**

Materielle skader er mulig. Unngå miljøpåvirkninger som f.eks. røyk, støv, vibrasjoner, kjemikalier, fuktighet varme eller direkte solinnstråling.

Bruk makuleringsmaskinen kun i lukkede rom.

Ta hensyn til følgende instruksjoner, slik at din makuleringsmaskin alltid fungerer som forventet.



Les gjennom bruksanvisningen før igangsetting.



Grip aldri direkte inn i inntrekket.



Hold langt hår unna din makuleringsmaskin.



Hold langt barn og husdyr unna din makuleringsmaskin.



Hold løstsittende klær, smykker eller andre løse gjenstander unna din makuleringsmaskin.



Spray ikke noen brennbare gasser i retning mot makuleringsmaskinen. Bruk aldri trykkluffspray.



Hold langt slips og sjal unna din makuleringsmaskin.



Før maksimalt 8 ark inn i inntrekket samtidig.



Generelle råd for mulige farer, som krever spesiell oppmerksomhet.



**Forsiktig!** Fare for personskader ved skarpe kanter i skjæreverket!



**Advarsel!** Fare for personskader ved automatisk inntrekk! Inntrekket starter automatisk, med en gang materialet blir tilført. Hold langt hår, slips, smykker, løstsittende klær og andre løse gjenstander unna inntrekket til din makuleringsmaskin.



Sett inn kredittkort kun vertikalt.

## Kontroller innholdet av pakken

Kontroller innholdet av pakken med din makuleringsmaskin, før du tar i bruk makuleringsmaskinen.

Hvis noe mangler eller er skadet, ta ikke makuleringsmaskinen i drift. Henvend deg til vår service.

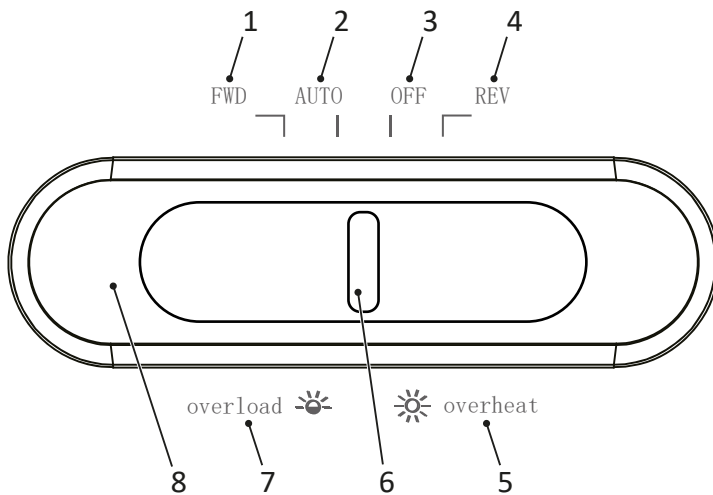
- Makuleringsmaskin OneShred 8CC med oppsamlingsbeholder for avfall
- Bruksanvisning
- 1 ark olje-papir

## Din makuleringsmaskin i detalj

Dette bildet viser din makuleringsmaskin i detalj.



1	Hovedbryter	5	Håndtak
2	Statusindikering	6	Siktvindu
3	Inntrekk	7	Oppsamlingsbeholder
4	Skjæreverkoppsats		



1	Manuell drift	5	Overoppheting
2	Automatisk drift	6	Hovedbryter
3	Apparat av	7	Overlast
4	Reversdrift	8	Statusindikering

## Sette opp makuleringsmaskinen og sette den i drift

Din makuleringsmaskin fungerer kun med oppsamlingsbeholderen. Plasser ikke makuleringsmaskinen i nærheten av varmekilder og overhold en avstand på minst 10 cm til veggen. Dermed blir makuleringsmaskinen tilstrekkelig kjølt.

- 1 Sett opp oppsamlingsmaskinen stabilt på en plan, vannrett overflate og i nærheten av en lett tilgjengelig stikkontakt.
- 2 Sett skjæreverksoppsatsen på oppsamlingsbeholderen. Skjæreverksoppsatsen går hørbart i inngrep. Hvis skjæreverksoppsatsen ikke sitter korrekt på oppsamlingsbeholderen, kan ikke makuleringsmaskinen slås på.



### Forsiktig!

Fare for personskader ved skarpe kanter i skjæreverket! Undersiden på skjæreverket har skarpkantede hjørner. Grip kun skjæreverket i håndtakene.

- 3 Skyv hovedbryteren til posisjon **OFF** og koble til støpslet i stikkontakten.
- 4 Skyv hovedbryteren til posisjon **AUTO**.
  - ➔ Du har tatt i bruk din makuleringsmaskin. Statusindikeringen lyser blått.

## Betjene makuleringsmaskin

Din makuleringsmaskin arbeider med automatisk makulering. Makuleringsmaskinen betjenes ved å skyve hovedbryteren.

### Makulere materiale automatisk

Ta hensyn til maksimalt tillatt kutteeffekt og andre spesifikasjoner angitt i de tekniske dataene.



#### Advarsel!

Fare for personskader ved automatisk inntrekk! Inntrekket starter automatisk, med en gang materialet blir tilført. Hold langt hår, slips, smykker, løstsittende klær og andre løse gjenstander unna inntrekket til din makuleringsmaskin.

### Viktig!

Materielle skader ved opphopning av materiale! Ta hensyn til maksimal kutteeffekt til inntrekket.

- 1 Før inn materialet som skal makuleres midt i inntrekket.
  - ➔ Inntrekket trekker inn materialet og stopper når det ikke lenger tilføres mer materiale.

### Makulere materiale manuelt

I sjeldne tilfeller registrerer ikke sensorene innført materiale.

- 1 Skyv hovedbryteren til posisjon **FWD**.
  - ➔ Materialet trekkes inn manuelt og blir makulert.
- 2 Skyv hovedbryteren til posisjon **OFF**.

### Slå av makuleringsmaskinen

Slå av makuleringsmaskinen, når du ikke lenger trenger makuleringsmaskinen.

- 1 Skyv hovedbryteren til posisjon **OFF**.
  - ➔ Du har slått av makuleringsmaskinen.
- 2 Trekk støpslet ut av stikkontakten hvis makuleringsmaskinen ikke skal brukes over en lengre tid.

## Hvis noe ikke fungerer

Følgende instruksjoner hjelper deg hvis noe ikke fungerer som forventet.

### Overopphetingsvern

Makuleringsmaskinen slår seg av automatisk ved overoppheting. Statusindikeringen lyser rødt.

**1** Vent i minst 50 minutter til makuleringsmaskinen er avkjølt. Ta hensyn til minimumsavstanden til veggen og angivelsene om konstant drift i de tekniske dataene.

➔ Etter avkjølingsfasen lyser statusvisningen blått og makuleringen fortsettes.

### Overlastsvern

Har du tilført mer materiale enn angitt i de tekniske dataene, blinker statusindikeringen rødt og makuleringsmaskinen starter automatisk reverskjøring i 5 sekunder.

**1** Trekk materialet ut av makuleringsmaskinen.

➔ Du har løsnet blokkeringen.

● Etter at materialet er fjernet fra makuleringsmaskinen, beveger skjæreverket seg fortsatt i 3 sekunder for å rengjøre seg. Vent til makuleringsmaskinen igjen står stille og statusindikeringen lyser blått.

### Olje skjæreverket

Olje skjæreverket til makuleringsmaskinen regelmessig, for å forlenge levetiden til makuleringsmaskinen.

Man kan få spesiell olje og olje-ark for makuleringsmaskiner fra HP.

### Viktig!

Materielle skader ved bruk av feil olje! Bruk ikke sprayolje. Bruk utelukkende spesialolje for makuleringsmaskin.

Du har forskjellige muligheter for å olje skjæreverket.

#### Olje med selvoljet papir:

**1** Påfør spesialolje for makuleringsmaskin i flere tverrlinjer over et ark papir.

**2** Før det oljede papiret inn i inntrekket.

➔ Papiret fuktet med olje trekkes inn og olje skjæreverket.

#### Olje med olje-ark:

**1** Før inn olje-arket i inntrekket.

➔ Papiret fuktet med olje trekkes inn og olje skjæreverket.

## Tømme oppsamlingsbeholder

Oppfyllingsnivået til oppsamlingsbeholderen må kontrolleres regelmessig gjennom siktvinduet, og den må tømmes ved et nivå på ca. 80 %. Dermed unngår du at makulert materiale hoper seg opp og fører til funksjonsfeil.

**1** Skyv hovedbryteren til posisjon **OFF**.

**2** Trekk støpslet ut av stikkontakten.



### Forsiktig!

Fare for personskader ved skarpe kanter i skjæreverket! Undersiden på skjæreverket har skarpkantede hjørner. Grip kun skjæreverket i håndtakene.

**3** Løft skjæreverksoppsatsen fra oppsamlingsbeholderen.

**4** Tøm oppsamlingsbeholderen.



### Forsiktig!

Fare for personskader ved skarpe kanter i skjæreverket! Undersiden på skjæreverket har skarpkantede hjørner. Grip kun skjæreverket i håndtakene.

**5** Sett skjæreverksoppsatsen på oppsamlingsbeholderen.

➔ Oppsamlingsbeholderen går hørbart i inngrep.

## Fjern materialrester

Hvis din makuleringsmaskin ikke lenger makulerer slik du forventer, fjern gjenværende materialrester fra skjæreverket.

**1** Skyv hovedbryteren til posisjon **REV**. Skjæreverket går baklengs og frigir materiale som ligger i skjæreverket.

**2** Skyv hovedbryteren til posisjon **OFF**.

**3** Trekk støpslet ut av stikkontakten.

**4** Løft skjæreverksoppsatsen fra oppsamlingsbeholderen.



### Forsiktig!

Fare for personskader ved skarpe kanter i skjæreverket! Vær spesielt forsiktig ved fjerning av materialrester.

**5** Fjern gjenværende materialrester fra skjæreverket forsiktig med en egnet spiss gjenstand.

**6** Sett skjæreverksoppsatsen på oppsamlingsbeholderen.

## Rengjøre makuleringsmaskin

Rengjør makuleringsmaskinen regelmessig.



### Forsiktig!

Fare for personskader ved stikkflamme! Ved bruk av trykkluftspray kan det oppstå stikkflammer. Bruk aldri trykkluftspray.

- 1 Skyv hovedbryteren til posisjon **OFF**.
- 2 Trekk støpslet ut av stikkontakten.
- 3 Rengjør overdelen av huset med en myk, tørr, løfri klut. Bruk ikke noe trykkluftspray, rengjørings- eller løsemiddel.

## Tekniske data

Modell	Mål (mm)	Sikkerhetsnivå iht. DIN 66399-2	Størrelse makuleringsmateriale (tykkelse x bredde, mm)	mals. kutteeffekt (ark/kredittkort)	Arbeidsbredde (mm)	Strømforsyning	Kapasitet oppsamlingsbeholder (l)	Vekt (kg)	Lydstyrke (dB)	Konstant drift (min) / avkjølingstid (min)	Arbeidshastighet (m/min)	Kuttetype
One Shred 8CC	B: 320 L: 190 H: 416	P-4	5 x 18	8 / 1	220	220 - 240 V, 50 - 60 Hz, 1,2 A, 200 W	15	4,3	68	4 / 50	1,8	Partikkelsnitt

## Avfallshåndtering



Symbolet under betyr at brukte elektriske og elektroniske apparater, på grunn av lovbestemmelser, ikke skal kastes som husholdningsavfall. Avfallshåndtering er gratis. Kasser apparatet ved oppsamlingsstedet til din kommunale renovasjonsordning. Kasser emballasjemateriale i henhold til lokale forskrifter.





## Informasjon om lagring

Etter bruk må makuleringsmaskinen lagres sikkert. Ta hensyn til følgende instruksjoner:

Lagre makuleringsmaskinen

- kun i originalforpakningen
- på et tørt, rent sted
- kun i avkjølt tilstand

## Spørsmål og service


Kjære kunde,

takk for at du har valgt dette produktet.

Hvis det ikke fungerer slik du har forventet, eller er defekt, henvend deg til forhandleren som du har kjøpt produktet fra.

## Samsvarserklæring

Vi bekrefter samsvar iht. DIN 66399-2 med sikkerhetstrinnene oppført i produktspesifikasjonen.

 CE-merkingen på apparatet bekrefter samsvar.  
Samsvarserklæringen finner du på [www.hp.com/officeequipment](http://www.hp.com/officeequipment)

## Produsent

GO Europe GmbH  
Zum Kraftwerk 1  
D-45527 Hattingen  
Tyskland

## Zapoznanie się z instrukcją obsługi



Proszę uważnie zapoznać się z treścią tej instrukcji obsługi i dostosować się do wskazówek dotyczących zastosowania niszczarki do dokumentów. Instrukcję obsługi przechowywać do późniejszego zastosowania.

## Zastosowanie zgodne z przeznaczeniem

Niszczarka do dokumentów jest zdatna do krajania papieru, kart kredytowych, spinaczy i zszywek. Niszczarka do dokumentów jest przystosowana wyłącznie do użytku prywatnego w zamkniętych pomieszczeniach.

Każde inne zastosowanie uważane jest za niezgodne z przeznaczeniem. Własnoręczne zmiany i przebudowy nie są dopuszczalne i doprowadzają do utraty gwarancji.

## Przestrzeżenie wskazówek dotyczących bezpieczeństwa

Należy zapoznać się i przestrzegać wskazówek ostrzegawczych, w celu zagwarantowania własnego bezpieczeństwa i bezpieczeństwa otoczenia.



### Ostrzeżenie!

Niebezpieczeństwo doznania obrażeń ciała w wyniku działania mechanizmu wciągania. Luźne przedmioty mogą zaplątać się w podajniku i spowodować skaleczenia. Trzymać palce, włosy, szale, krawaty, biżuterię itp. poza zasięgiem podajnika.



### Ostrzeżenie!

Niebezpieczeństwo doznania obrażeń ciała w wyniku porażenia prądem. Błędne użytkowanie niszczarki do dokumentów może być przyczyną porażenia prądem. Zabrania się dokonywania samowolnych zmian lub modyfikacji niszczarki do dokumentów. Nie eksploatować niszczarki do dokumentów, jeżeli jej kabel zasilający jest uszkodzony. W przypadku uszkodzenia lub nieodpowiedniego działania natychmiast wyłączyć niszczarkę do dokumentów i odłączyć przewód zasilający.

Wykonywanie napraw należy zlecać jedynie wykwalifikowanemu personelowi specjalistycznemu. Niszczarkę do dokumentów ustawić w pobliżu wolno dostępnego gniazdka wtyczkowego, w celu możliwości szybkiego rozłączenia niszczarki od sieci elektrycznej w razie konieczności. Nigdy nie dotykać urządzenia mokrymi rękoma. Unikać kontaktów z wodą.



### Ostrzeżenie!

Niebezpieczeństwo uduszenia się przez elementy drobne, materiały opakunkowe lub folie ochronne. Dzieci mogą połknąć drobne elementy, materiały opakowania i folie ochronne. Przechowywać urządzenie i jego opakowanie poza zasięgiem dzieci.

**Ostrzeżenie!**

Z urządzenia mogą korzystać dzieci w wieku od ośmiu lat, osoby z ograniczonymi zdolnościami fizycznymi, sensorycznymi lub mentalnymi lub niedysponujące doświadczeniem i/lub wiedzą, jeżeli są pod nadzorem lub zostały poinstruowane o bezpiecznym korzystaniu z urządzenia i rozumieją niebezpieczeństwa mogące wyniknąć wskutek użytkowania. Dzieciom nie wolno bawić się tym urządzeniem. Czyszczenia i konserwacji nie wolno przeprowadzać dzieciom bez nadzoru.

**Ostrożnie!**

Niebezpieczeństwo potknięcia się przez nieprawidłowo umieszczone kable sieciowe. Kable sieciowe urządzenia umieścić w taki sposób, aby nie mogło dojść do potknięcia się o nie. Uważać, aby nie doszło do uszkodzeń wtyczki i kabla sieciowego.

**Ważne!**

Możliwość szkód materialnych. Unikać wpływów środowiska naturalnego typu dym, pył, wstrząsy, materiały chemiczne, wilgoć, wysoka temperatura i bezpośrednie oddziaływanie promieni słonecznych.

Niszczarkę do dokumentów stosować jedynie w zamkniętych pomieszczeniach.

Przestrzegać poniższych wskazówek dla zapewnienia oczekiwanego działania niszczarki do dokumentów.



Przed uruchomieniem należy przeczytać instrukcję obsługi.



Długie włosy trzymać poza zasięgiem niszczarki do dokumentów.



Luźne elementy ubrania, biżuterię i inne luźne przedmioty należy trzymać poza zasięgiem niszczarki do dokumentów.



Nie zbliżać się do niszczarki do dokumentów z krawatem lub szalikiem.



Ogólna wskazówka dotyczące możliwych zagrożeń, wymagających szczególnej uwagi.



**Ostrzeżenie!** Niebezpieczeństwo doznania obrażeń ciała przez podajnik automatyczny! Proces wciągania rozpoczyna się w sposób automatyczny po wprowadzeniu materiału. Luźne elementy ubrania, krawaty, biżuterię, długie włosy i inne luźne przedmioty należy trzymać poza zasięgiem mechanizmu podajnika niszczarki do dokumentów.



Nigdy nie sięgać bezpośrednio do podajnika.



Odsunąć dzieci i zwierzęta domowe od niszczarki do dokumentów.



Nie rozpylać palnych gazów w kierunku niszczarki do dokumentów. Nigdy nie stosować rozpylaczy napędzanych sprężonym powietrzem.



Wprowadzić maksymalnie 8 kartek równocześnie do podajnika.



**Ostrożnie!** Niebezpieczeństwo doznania obrażeń ciała w wyniku ostrych krawędzi urządzenia tnącego!



Karty kredytowe wprowadzać jedynie pionowo.

## Sprawdzenie zawartości opakowania

Sprawdzić zawartość opakowania niszczarki do dokumentów przed jej uruchomieniem.

W razie braku lub uszkodzenia części nie należy uruchamiać niszczarki do dokumentów. Proszę zwrócić się do naszego działu serwisowego.

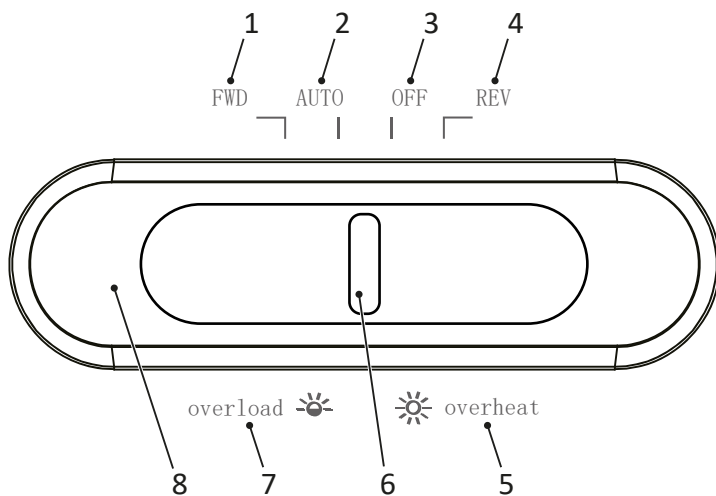
- Niszczarka do dokumentów OneShred 8CC z pojemnikiem zbiorczym dla ciętego materiału
- Instrukcja obsługi
- 1 arkusz papieru olejowego

## Widok detaliczny niszczarki do dokumentów

Następujący rysunek przedstawia detaliczny wygląd niszczarki do dokumentów.



1	Włącznik główny	5	Uchwyt
2	Wskaźnik stanu eksploatacyjnego	6	Wziernik
3	Podajnik	7	Pojemnik zbiorczy
4	Nasadka mechanizmu tnącego		



1	Eksploracja manualna	5	Przegrzanie
2	Eksploracja automatyczna	6	Włącznik główny
3	Wyłączenie urządzenia	7	Przeciążenie
4	Eksploracja wstecz	8	Wskaźnik stanu eksploatacyjnego

## Ustawianie i uruchamianie niszczarki do dokumentów

Niszczarka do dokumentów pracuje jedynie z pojemnikiem zbiorczym. Niszczarki do dokumentów nie ustawiać w pobliżu źródeł ciepła i zachować odstęp od ściany wynoszący przynajmniej 10 cm. W ten sposób niszczarka do dokumentów zostaje wystarczająco schładzana.

- 1 Ustawić pojemnik zbiorczy stabilnie na równej, poziomej powierzchni i w pobliżu wolno dostępnego gniazdka wtyczkowego.
- 2 Nasadzić nasadkę mechanizmu tnącego na pojemnik zbiorczy. Nasadka mechanizmu tnącego ząbkiem się w słyszalny sposób. Jeżeli nasadka mechanizmu tnącego nie zostanie poprawnie nałożona na pojemnik zbiorczy, wtedy nie uda się włączyć niszczarki do dokumentów.



### Ostrożnie!

Niebezpieczeństwo doznania obrażeń ciała w wyniku ostrych krawędzi urządzenia tnącego! Dolna strona mechanizmu tnącego wykazuje ostre naroża. Chwytać mechanizm tnący jedynie stosując uchwyty.

- 3 Przesunąć przełącznik główny do pozycji **OFF** i podłączyć wtyczkę sieciową do gniazdka wtyczkowego.
- 4 Przesunąć przełącznik główny do pozycji **AUTO**.
  - ➔ Niszczarka do dokumentów została uruchomiona. Wskaźnik stanu eksploatacyjnego pali się w kolorze niebieskim.

## Obsługa niszczarki do dokumentów

Niszczarka do dokumentów pracuje funkcją automatycznego cięcia. Niszczarka do dokumentów obsługiwana zostaje za pomocą przesuwania przełącznika głównego.

### Automatyczne cięcie materiału

Należy przestrzegać dopuszczalnej ilości niszczonej kartek i dalszych specyfikacji, podanych w treści parametrów technicznych.



#### Ostrzeżenie!

Niebezpieczeństwo zranienia poprzez podajnik automatyczny! Proces wciągania rozpoczyna się w sposób automatyczny po wprowadzeniu materiału. Luźne elementy ubrania, krawaty, biżuterię, długie włosy i inne luźne przedmioty należy trzymać poza zasięgiem mechanizmu podajnika niszczarki do dokumentów.

### Ważne!

Szkody rzeczowe w wyniku zatoru materiału! Przestrzegać dopuszczalnej ilości niszczonej kartek podajnika.

- 1 Wprowadzać materiał, który ma zostać pocięty, w pozycji środkowej do podajnika.
  - ➔ Podajnik wciąga materiał i zatrzymuje się, jeżeli dalszy materiał nie zostanie podawany.

### Ręczne nastawienie cięcia

W rzadkich przypadkach czujniki nie rozpoznają wprowadzanego materiału.

- 1 Przesunąć przełącznik główny do pozycji **FWD**.
  - ➔ Materiał wciągany i cięty jest manualnie.
- 2 Przesunąć przełącznik główny do pozycji **OFF**.

### Wyłączanie niszczarki do dokumentów

Niszczarkę do dokumentów należy wyłączyć, jeżeli nie jest już potrzebna.

- 1 Przesunąć przełącznik główny do pozycji **OFF**.
  - ➔ Niszczarka do dokumentów została wyłączona.
- 2 Odłączyć wtyczkę sieciową od gniazdka, jeżeli niszczarka do dokumentów nie będzie eksploatowana przez dłuższy okres czasu.

## Postępowanie w przypadku usterki

Poniższe wskazówki są pomocne w przypadku braku lub błędnych funkcji.

### Zabezpieczenie przed przegrzaniem

Niszczarka do dokumentów wyłącza się w sposób automatyczny w przypadku przegrzania. Wskaźnik stanu eksploatacyjnego pali się w kolorze czerwonym.

- 1 Odczekać przynajmniej 50 minut do czasu ochłodzenia niszczarki do dokumentów. Zachować minimalny odstęp od ściany i przestrzegać danych umieszczonych w parametrach technicznych odnośnie pracy ciągłej.
  - ➔ Po fazie schłodzenia wskaźnik stanu eksploatacyjnego świeci się w kolorze niebieskim i proces rozdrabniania zostaje kontynuowany.

### Zabezpieczenie przed przepełnieniem

Jeżeli wprowadzono więcej materiału, niż zostało to podane w parametrach technicznych, wtedy pulsuje wskaźnik stanu eksploatacyjnego w kolorze czerwonym i niszczarka do dokumentów przełącza się w sposób automatyczny do pracy wstecz na okres 5 sekund.

- 1 Wyciągnąć materiał z niszczarki do dokumentów.
  - ➔ Blokada zostaje w ten sposób rozwiązana.
- Po usunięciu materiału z niszczarki do dokumentów mechanizm tnący pracuje dalej przez okres 3 sekund w celu wyczyszczenia się. Należy odczekać stan bezruchu niszczarki do dokumentów i zapalenie się wskaźnika eksploatacyjnego w kolorze niebieskim.

### Smarowanie mechanizmu tnącego

W regularnych odstępach smarować noże tnące niszczarki do dokumentów, w celu wydłużenia jej żywotności.

Oferowany jest specjalny olej i kartki z olejem do niszczarek do dokumentów przez firmę HP.

#### Ważne!

Szkody rzeczowe w wyniku zastosowania błędnego oleju! Nie stosować smarów rozpylanych. Stosować wyłącznie oleje specjalne do niszczarek do dokumentów.

Istnieją różne możliwości nasmarowania mechanizmu tnącego.

#### Smarowanie za pomocą samodzielnie naoliwionego papieru:

- 1 Nanieść ten olej specjalny do niszczarek do dokumentów w kilku liniach poprzecznych na kartkę papieru.
- 2 Wprowadzić tą kartkę z olejem do podajnika.
  - ➔ Naoliwiona karta papieru zostaje wciągnięta i smaruje mechanizm tnący.

## Smarowanie za pomocą kartek olejowych

- 1 Wprowadzić kartkę olejową do podajnika.
  - ➔ Naoliwiona karta papieru zostaje wciągnięta i smaruje mechanizm tnący.

## Opróżnianie pojemnika zbiorczego

Należy regularnie sprawdzać poziom napełnienia pojemnika zbiorczego za pomocą wziernika i opróżnić ten pojemnik, jeżeli jego poziom osiągnął ok. 80 %. W ten sposób zapobiega się zatorom ciętego materiału i błędnemu działaniu.

- 1 Przesunąć przełącznik główny do pozycji **OFF**.
- 2 Odłączyć wtyczkę z gniazdka wtykowego.



### Ostrożnie!

Niebezpieczeństwo skaleczenia ostrymi krawędziami urządzenia tnącego! Dolna strona mechanizmu tnącego wykazuje ostre naroża. Chwytać mechanizm tnący jedynie stosując uchwyty.

- 3 Podnieść nasadkę mechanizmu tnącego i zdjąć z pojemnika zbiorczego.
- 4 Opróżnić pojemnik zbiorczy.



### Ostrożnie!

Niebezpieczeństwo doznania obrażeń ciała w wyniku ostrych krawędzi urządzenia tnącego! Dolna strona mechanizmu tnącego wykazuje ostre naroża. Chwytać mechanizm tnący jedynie stosując uchwyty.

- 5 Nasadzić nasadkę mechanizmu tnącego na pojemnik zbiorczy.
  - ➔ Pojemnik zbiorczy zazębia się w słyszalny sposób.

## Usuwanie pozostałości materiału

Jeżeli niszczarka do dokumentów nie spełnia oczekiwań odnośnie jakości cięcia materiału, usunąć pozostałe resztki materiału z urządzenia tnącego.

- 1 Przesunąć przełącznik główny do pozycji **REV**. Urządzenie tnące porusza się do tyłu i wydaje materiał pozostały w urządzeniu tnącym.
- 2 Przesunąć przełącznik główny do pozycji **OFF**.
- 3 Odłączyć wtyczkę z gniazdka wtykowego.
- 4 Podnieść nasadkę mechanizmu tnącego i zdjąć z pojemnika zbiorczego.



### Ostrożnie!

Niebezpieczeństwo skaleczenia ostrymi krawędziami urządzenia tnącego! Podczas usuwania resztek materiału należy zachować szczególną ostrożność.

- 5 Usunąć pozostałości materiału z urządzenia tnącego za pomocą odpowiedniego ostrego przedmiotu.
- 6 Nasadzić nasadkę mechanizmu tnącego na pojemnik zbiorczy.



## Czyszczenie niszczarki do dokumentów

Niszczarkę do dokumentów należy czyścić w regularnych odstępach czasu.



### Ostrożnie!

Zagrożenie doznania obrażeń w wyniku płomienia spiczastego! W przypadku zastosowania rozpylaczy napędzanych sprężonym powietrzem mogą powstawać płomienie spiczaste. Nigdy nie stosować rozpylaczy napędzanych sprężonym powietrzem.

- 1 Przesunąć przełącznik główny do pozycji **OFF**.
- 2 Odłączyć wtyczkę z gniazdka wtykowego.
- 3 Oczyszczyć powierzchnie korpusu za pomocą miękkiej, suchej, nie strzępiącej się ściereki. Nie stosować rozpylaczy na sprężone powietrze, środków czyszczących i rozpuszczalników.

## Parametry techniczne

Model	Wymiary (mm)	Poziom bezpieczeństwa według DIN 66399-2	Wielkość ciętego materiału (grubość × szerokość, mm)	maks. ilość niszczonego kartek (kartki / karty kredytowe)	Szerokość robocza (mm)	Zasilanie w prąd	Objętość pojemnika zbiorczego (l)	Masa (kg)	Nateżenie dźwięku (dB)	Eksploatacja stała (min) / okres schładzania (min)	Prędkość robocza (m/min)	Rodzaj cięcia
One-Shred 8CC	szer.: 320 dł.: 190 wys.: 416	P-4	5 × 18	8 / 1	220	220 - 240 V, 50 - 60 Hz, 1,2 A, 200 W	15	4,3	68	4 / 50	1,8	Cięcie na cząstki

## Utylizacja



Przedstawiony obok symbol oznacza, że należy usuwać wyeksploatowane urządzenia elektryczne i elektroniczne zgodnie z przepisami ustawowymi w sposób oddzielny od odpadów gospodarstwa domowego. Usuwanie odpadów jest nieodpłatne. Urządzenie



należy wyrzucić w miejscu zbiórki przedsiębiorstwa komunalnego zajmującego się usuwaniem odpadów. Materiały opakowania należy usuwać zgodnie z przepisami lokalnymi.

## Wskazówki dotyczące magazynowania

Po zakończeniu użytkowania niszczarki do dokumentów magazynować ją w odpowiednim miejscu. Zwrócić uwagę na następujące informacje:

Niszczarkę do dokumentów przechowywać

- jedynie w oryginalnym opakowaniu
- w suchym, czystym miejscu
- po schłodzeniu niszczarki

## Pytania i serwis

Drogi Kliencie,

dziękujemy za zakup tego produktu.

W przypadku działania niezgodnego z oczekiwaniami lub jego uszkodzenia prosimy zwrócić się do placówki handlowej, gdzie został ten produkt nabyty.

## Deklaracja zgodności

Potwierdza się zgodność według DIN 66399-2 ze stopniami bezpieczeństwa podanymi w specyfikacji produktu.



Znak CE na urządzeniu potwierdza zgodność.

Tekst deklaracji zgodności jest dostępny pod adresem [www.hp.com/officeequipment](http://www.hp.com/officeequipment)

## Producent

GO Europe GmbH  
Zum Kraftwerk 1  
D-45527 Hattingen  
Niemcy

## Leia o manual de instruções



Leia atentamente o manual de instruções e tenha-o em consideração ao manusear o seu destruidor de documentos. Guarde o manual de instruções para uma consulta posterior.

## Utilização conforme a finalidade

O seu destruidor de documentos é apropriado para destruir papel, cartões de crédito, cliques e agrafos. O destruidor de documentos destina-se exclusivamente para uso privado em recintos fechados.

Qualquer utilização diferente conta como não corrente. Não são permitidas alterações ou remoções por conta própria que levam a cessação da garantia.

## Observar os avisos de segurança

Leia e tenha em conta as advertências a proteger-se e a proteger o meio ambiente.



### Advertência!

Risco de lesão através do mecanismo de alimentação. Objetos soltos podem ficar presos no lado de entrada e causar lesões. Mantenha os dedos, o cabelo, os cachecóis, as gravatas, a joalheria, etc. afastados da alimentação.



### Advertência!

Risco de ferimento por eletrocussão. Uma utilização incorreta do destruidor de documentos pode provocar choques elétricos. Não são permitidas alterações ou remoções por conta própria no destruidor de documentos. Não operar o destruidor de documentos com um cabo elétrico danificado. Ao notar danificações deve desligar o destruidor de documentos imediatamente e retirar a ficha de rede.

Deixe apenas pessoal qualificado realizar as respetivas reparações. Instalar o destruidor de documentos a uma tomada de fácil acesso para permitir que o destruidor de documentos seja rapidamente desligado da rede elétrica em caso de emergência. Nunca tocar-lo com as mãos molhadas. Evitar qualquer contacto do aparelho com a água.



### Advertência!

Perigo de asfixia através de pequenas peças, materiais de embalagem ou películas de proteção. As crianças podem ingerir pequenas peças, materiais de embalagem ou películas de proteção. Mantenha as crianças afastadas do aparelho e das suas embalagens.



### Advertência!

Este aparelho pode ser usado por crianças a partir de oito anos de idade bem como por pessoas com deficiências físicas, sensoriais ou mentais ou com falta de experiência e/ou conhecimento, se forem supervisionadas ou instruídas quanto a utilização segura do aparelho e se compreenderem os perigos daí resultantes. Crianças não devem brincar com o aparelho. A limpeza e manutenção não devem ser executadas por crianças sem supervisão.

**Atenção!**

Perigo de tropeçar devido a cabos elétricos indevidamente montados. Instale o cabo elétrico de modo que ninguém possa tropeçar. Certifique-se que não possam ocorrer danos à ficha de rede e ao cabo elétrico.

**Importante!**

Possível dano material. Evite fumo, poeiras, vibrações, substâncias químicas, humidade, calor ou insolação direta.

Utilizar o destruidor de documentos só em espaços fechados.

Tenha em atenção os seguintes avisos para que o destruidor de documentos funcione sempre como desejado.



Antes de colocar o aparelho em funcionamento deve ler o manual de instruções.



Manter os cabelos compridos longe do seu destruidor de documentos.



Manter peças de roupa largas, jóias ou outros objetos soltos afastados do seu destruidor de documentos.



Manter as gravatas e os xailes longe do destruidor de documentos.



Aviso geral sobre perigos possíveis que podem requerer a sua atenção especial.



**Advertência!** Risco de ferimento devido à entrada automática! A entrada de alimentação inicia-se automaticamente ao alimentar o material. Manter cabelo comprido, gravatas, joalharia, peças de roupa largas ou outros objetos soltos afastados da entrada de alimentação do seu destruidor de documentos.



Nunca deve colocar as mãos na entrada.



Manter crianças e animais domésticos longe do seu destruidor de documentos.



Não dirigir gases inflamáveis contra o seu destruidor de documentos. Nunca utilize sprays de ar de pressão.



Inserir, no máximo, 8 folhas ao mesmo tempo na entrada.



**Atenção!** Perigo de ferimentos devido ao mecanismo de corte afiado!



Não inserir cartões de créditos na vertical.

## Verificar o conteúdo da embalagem

Verifique o conteúdo da embalagem do seu destruidor de documentos antes de colocar o seu destruidor de documentos em funcionamento.

Por favor, nunca colocar o aparelho em funcionamento caso falte algo ou algo esteja danificado. Entre em contacto com o nosso serviço.

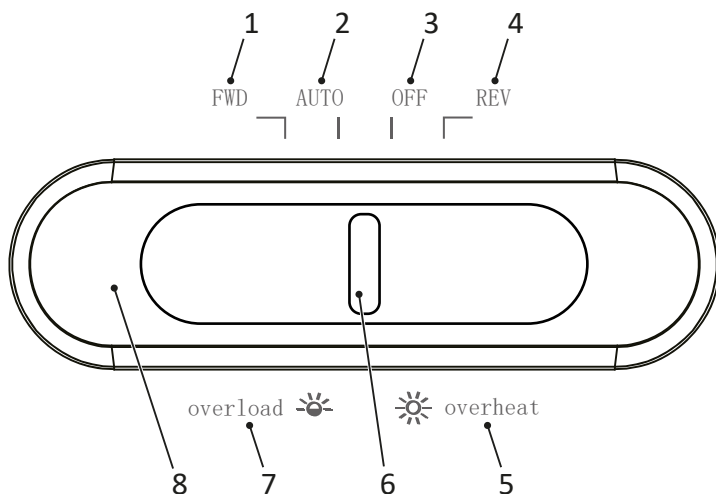
- Destruidor de documentos OneShred 8CC com recipiente de recolha para materiais cortados
- Manual de instruções
- 1 folha de papel oleado

## O seu destruidor de documentos em detalhe

As seguintes ilustrações mostram detalhadamente o seu destruidor de documentos.



1	Interruptor principal	5	Pega
2	Indicação do estado	6	Janela de controlo
3	Entrada	7	Recipiente de recolha
4	Dispositivo de corte		



1	Operação manual	5	Sobreaquecimento
2	Operação automática	6	Interruptor principal
3	Aparelho desligado	7	Sobrecarga
4	Operação inversa	8	Indicação do estado

## Ligar o destruidor de documentos e iniciar a utilização

O seu destruidor de documentos funciona apenas com o recipiente de recolha. Não instalar o destruidor de documentos perto de fontes de calor e manter uma distância de pelo menos 10 cm até à parede. Deste modo, o destruidor de documentos é arrefecido o suficiente.

- 1 Posicione o recipiente de recolha bem seguro numa superfície plana e horizontal, perto de uma tomada de bom acesso.
- 2 Monte o dispositivo de corte no recipiente de recolha. O dispositivo de corte engrena audivelmente. Caso o dispositivo de corte não estiver corretamente colocado no recipiente de recolha, o destruidor de documentos não pode ser ligado.



### Atenção!

Perigo de ferimentos devido ao mecanismo de corte afiado! A parte inferior do mecanismo de corte apresenta aristas cortantes. Tocar no dispositivo de corte apenas nas pegas.

- 3 Colocar o interruptor principal na posição **OFF** e ligar a ficha de rede à tomada.
- 4 Colocar o interruptor principal na posição **AUTO**.
  - ➔ Colocou o seu destruidor de documentos em funcionamento. A indicação do estado ascende-se com a cor azul.

## Operar o destruidor de documentos

O destruidor de documentos funciona com um mecanismo de triturar automático. O destruidor de documentos é controlado através do deslize do interruptor principal.

### Trituração automática de materiais

Tenha em atenção a máxima capacidade de corte permitida e as especificações indicadas nos dados técnicos.



#### Advertência!

Risco de ferimento devido à entrada automática! A entrada de alimentação inicia-se automaticamente ao alimentar o material. Manter cabelo comprido, gravatas, joalheria, peças de roupa largas ou outros objetos soltos afastados da entrada de alimentação do seu destruidor de documentos.

### Importante!

Danos materiais devido a obstrução de material! Tenha em atenção a capacidade máxima de corte da entrada.

**1** Insira o material a ser triturado no centro da entrada.

→ A entrada puxa o material e para se não haver mais material a ser alimentado.

### Trituração manual de materiais

É raro que os sensores não reconhecem o material a ser alimentado.

**1** Colocar o interruptor principal na posição **FWD**.

→ O material é puxado e destruído manualmente.

**2** Colocar o interruptor principal na posição **OFF**.

### Desligar o destruidor de documentos

Desligue o destruidor de documentos se já não esteja a utilizá-lo.

**1** Colocar o interruptor principal na posição **OFF**.

→ Desligou o destruidor de documentos.

**2** Tirar a ficha de rede da tomada se o destruidor de documentos não for utilizado durante um período prolongado.

## Caso algo não funcione

As seguintes sugestões ajudam se alguma coisa não esteja a funcionar como deseja.

### Proteção contra sobreaquecimento

Ao ser sobreaquecido o destruidor de documentos desliga-se automaticamente. A indicação do estado ascende-se com a cor vermelho.

**1** Aguardar pelo menos durante 50 minutos até que o destruidor de documentos fique arrefecido. Tenha em atenção a distância mínima até à parede e as indicações sobre o funcionamento permanente nos dados técnicos.

➔ Após a fase de arrefecimento, a indicação do estado ascende-se a azul e a trituração continua.

### Proteção contra sobrecarregamento

Ao inserir mais material do que indicado nos dados técnicos, a indicação do estado pisca a vermelho e o destruidor de documentos inicia a sua marcha inversa durante 5 segundos.

**1** Puxar o material para fora do destruidor de documentos.

➔ Resolveu a obstrução.

● Depois de ter tirado o material do destruidor de documentos, o dispositivo de corte continua a girar durante 3 segundos para realizar uma limpeza. Aguardar até que o destruidor de documentos fique novamente imóvel e a indicação do estado se acenda com a cor azul.

### Olear o dispositivo de corte

Para prolongar a vida útil do seu destruidor de documentos, lubrifique o mecanismo de corte do destruidor de documentos em intervalos regulares.

Estão disponíveis um óleo especial e folhas oleadas para o destruidor de documentos da marca HP.

### Importante!

Ao utilizar óleo errado pode causar danos materiais! Não utilize óleos de pulverização. Utilize exclusivamente óleo especial para destruidores de documentos.

Existem várias possibilidades de olear o dispositivo de corte.

### Olear com papel oleado por si:

**1** Aplique o óleo especial para destruidores de documentos em várias linhas transversais numa folha de papel.

**2** Insira a folha de papel oleada na entrada.

➔ O papel humedecido pelo óleo é puxado para dentro e lubrifica o mecanismo de corte.



## Olear com folhas oleadas

**1** Insira a folha de papel oleada na entrada.

→ O papel humedecido pelo óleo é puxado para dentro e lubrifica o mecanismo de corte.

## Esvaziar o recipiente de recolha

O nível de enchimento do recipiente de recolha deve ser controlado regularmente através do visor e deve ser esvaziado a partir de um enchimento de aprox. 80 %. Deste modo evitará a acumulação do material triturado, o que causará falhas.

**1** Colocar o interruptor principal na posição **OFF**.

**2** Tire a ficha de rede da tomada.



### Atenção!

Perigo de ferimentos devido ao mecanismo de corte afiado! A parte inferior do mecanismo de corte apresenta aristas cortantes. Tocar no dispositivo de corte apenas nas pegas.

**3** Levantar o dispositivo de corte do recipiente de recolha.

**4** Esvaziar o recipiente de recolha.



### Atenção!

Perigo de ferimentos devido ao mecanismo de corte afiado! A parte inferior do mecanismo de corte apresenta aristas cortantes. Tocar no dispositivo de corte apenas nas pegas.

**5** Monte o dispositivo de corte no recipiente de recolha.

→ O recipiente de recolha engrena audivelmente.

## Retirar restos de material

Caso o seu destruidor de documentos não triture o material como esperado, remova eventuais restos de material ainda existentes no mecanismo de corte.

**1** Colocar o interruptor principal na posição **REV**. O mecanismo de corte anda na marcha inversa e liberta eventuais materiais restantes no mecanismo de corte.

**2** Colocar o interruptor principal na posição **OFF**.

**3** Tire a ficha de rede da tomada.

**4** Levantar o dispositivo de corte do recipiente de recolha.



### Atenção!

Perigo de ferimentos devido ao mecanismo de corte afiado! Tenha especial cuidado ao remover os restos de material.

**5** Retire com cuidado os restos de material com um objeto afiado e adequado do mecanismo de corte.

**6** Monte o dispositivo de corte no recipiente de recolha.

## Limpar o destruidor de documentos

Limpe o destruidor de documentos em intervalos regulares.



### Atenção!


Risco de ferimento por chama alta! A utilização de sprays de ar comprimido pode causar chamas grandes. Nunca utilize sprays de ar de pressão.

- 1 Colocar o interruptor principal na posição **OFF**.
- 2 Tire a ficha de rede da tomada.
- 3 Limpar as superfícies da caixa com um pano macio, seco e sem soltar fiapos. Não deve utilizar qualquer spray de ar comprimido, detergente ou solvente.

## Dados técnicos

Modelo	Dimensões (mm)	Classe de proteção conforme DIN 66399-2	Tamanho do material de corte (espessura × largura, mm)	Capacidade de corte máx. (folhas / cartões de crédito)	Largura operacional (mm)	Alimentação elétrica	Capacidade volumétrica Recipiente de recolha (l)	Peso (kg)	Nível sonoro (dB)	Funcionamento contínuo (min) / tempo de arrefecimento (min)	Velocidade operacional (m/min)	Tipo de corte
OneShred 8CC	L: 320 C: 190 A: 416	P-4	5 × 18	8 / 1	220	220 - 240 V, 50 - 60 Hz, 1,2 A, 200 W	15	4,3	68	4 / 50	1,8	Corte em partículas

## Eliminação

 O símbolo que segue significa que os aparelhos elétricos e eletrónicos antigos devem ser eliminados separadamente dos resíduos domésticos em conformidade com as normas legais. A eliminação é gratuita. Elimine o seu aparelho num centro de recolha da sua entidade de reciclagem comunal. Eliminar os materiais de embalagem conforme as disposições locais.



## Avisos para a armazenagem

Após o uso o destruidor de documentos deve ser guardado em segurança. Observar os seguintes avisos:

Guardar o destruidor de documentos

- apenas na embalagem original
- num local seco e limpo
- e só no estado arrefecido

## Perguntas e serviço

Prezada/o cliente,

muito obrigado para optar por este produto.

Se não funcionar como esperado e se for defeituoso, entre em contacto com o distribuidor onde comprou este produto.

## Declaração de conformidade

Confirmamos a conformidade conforme DIN 66399-2 com os níveis de segurança indicados na especificação do produto.

 A marcação CE no aparelho confirma a conformidade.

A declaração de conformidade pode ser lida em [www.hp.com/officeequipment](http://www.hp.com/officeequipment).

## Fabricante

GO Europe GmbH  
Zum Kraftwerk 1  
D-45527 Hattingen  
Alemanha

## Citirea manualului de utilizare



Citiți cu atenție manualul de utilizare și respectați indicațiile în timpul operării distrugătorului de documente. Păstrați manualul de utilizare pentru o utilizare ulterioară.

## Utilizarea conform dispoziției

Distrugătorul dvs. de hârtie este potrivit pentru mărunțirea hârtiei, cardurilor de credit, agrafelor și capselor de birou. Distrugătorul de documente este conceput exclusiv utilizării private în spații închise.

Orice altă utilizare este considerată ca fiind neconformă. Sunt interzise modificările sau transformările arbitrare și duc la pierderea garanției.

## Respectarea instrucțiunilor de siguranță

Citiți și respectați indicațiile de avertizare pentru protecția proprie și protejarea mediului.



### Avertisment!

Pericol de rănire prin mecanismul de prindere. Obiectele slăbite pot fi prinse în fantă și pot provoca vătămări. Țineți-vă departe degetele, părul, șalul, cravata, bijuteriile etc. de fantă.



### Avertisment!

Pericol de rănire prin electrocutare. Manipularea incorectă a distrugătorului de documente poate duce la electrocutare. Sunt interzise modificările sau transformările arbitrare la distrugătorul de documente. Nu operați distrugătorul de documente cu un cablu de rețea deteriorat. Dacă distrugătorul de documente este deteriorat sau nu funcționează corect, opriți-l imediat și scoateți fișa de rețea.

Reparațiile trebuie efectuate numai de către un personal de specialitate. Amplasați distrugătorul de documente lângă o priză ușor accesibilă, astfel încât distrugătorul de documente să poată fi deconectat rapid de la sursa de alimentare în caz de urgență. Nu apucați aparatul niciodată cu mâini umede. Evitați contactul cu apă.



### Avertisment!

Pericol de sufocare din cauza pieselor mici, materialelor de ambalare sau foliilor de protecție. Copiii pot înghiți piesele mici, foliile de împachetare sau de protecție. Țineți departe copiii de aparat și de ambalajul acestuia.

**Avertisment!**

Acest aparat poate fi utilizat de copiii începând cu vârsta de 8 ani, precum și persoane cu dizabilități fizice, tactile sau mentale sau persoane fără experiență și/sau cunoștință, dacă aceste persoane sunt supravegheate sau au fost instruite cu privire la utilizarea în siguranță a aparatului și înțeleg pericolele rezultate din utilizarea aparatului. Este interzis copiilor să se joace cu aparatul. Curățarea și întreținerea nu pot fi efectuate de către copii fără supraveghere.

**Precauție!**

Pericol de împiedicare din cauza cablului de alimentare amplasat necorespunzător. Amplasați cablul de alimentare astfel, încât să nu împiedice nimeni de el. Asigurați-vă că fișa de rețea și cablul de rețea nu sunt deteriorate.

**Important!**

Pot apărea daune materiale. Evitați influențele de mediu precum fumul, praful, vibrațiile, substanțele chimice, umezeala, căldura sau lumina directă a soarelui.

Utilizați distrugătorul de documente numai în spații închise.

Respectați următoarele indicații pentru ca distrugătorul de documente să funcționeze mereu conform așteptărilor dvs.



Înainte de punerea în funcțiune, citiți manualul de utilizare.



Țineți-vă departe părul lung de distrugătorul de documente.



Țineți departe piesele largi de îmbrăcăminte, bijuteria sau alte obiecte nefixate de distrugătorul de documente.



Țineți departe cravatele și șalurile de distrugătorul de documente.



Informații generale despre pericolele posibile care necesită o atenție specială.



**Avertisment!** Pericol de rănire din cauza prinderii automate! Fanta pornește automat după alimentarea cu material. Țineți departe de fanta distrugătorului de documente părul lung, cravata, bijuteriile, piesele largi de îmbrăcăminte și alte obiecte nefixate.



Nu introduceți niciodată mâna în fantă.



Țineți departe copiii și animalele de casă de distrugătorul de documente.



Nu pulverizați gaze inflamabile în direcția distrugătorului de documente. Nu utilizați niciodată spray-uri cu aer comprimat.



Simultan introduceți maxim 8 coli în fantă.



**Precauție!** Pericol de rănire din cauza dispozitivului de tăiere ascuțit!



Introduceți numai vertical cardurile de credit.

## Verificați conținutul ambalajului

Înainte de punerea în funcțiune a distrugătorului de documente verificați conținutul pachetului.

Dacă lipsește vreo piesă sau este deteriorată, nu puneți în funcțiune distrugătorul de documente. Adresați-vă serviciului nostru.

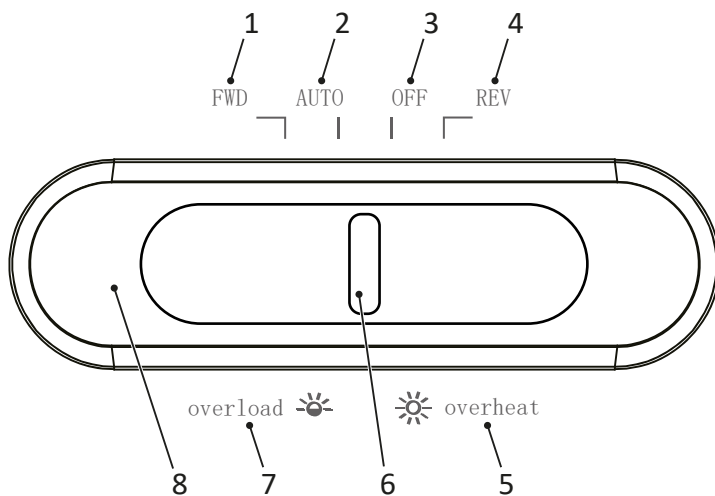
- Distrugătorul de documente OneShred 8CC cu coș de colectare pentru reziduuri
- Manual de utilizare
- 1 coală de hârtie cerată

## Prezentarea detaliată a distrugătorului de documente

Ilustrația următoare vă prezintă detaliile distrugătorului de documente.



1	Comutator principal	5	Mâner
2	Afișarea stării	6	Fereastră-vizor
3	Fantă	7	Coșul de colectare
4	Atașament de tăiere		



1	Regim manual	5	Supraîncărcare
2	Regim automat	6	Comutator principal
3	Aparatul oprit	7	Supraîncărcare
4	operare inversă	8	Afișarea stării

## Amplasarea distrugătorului de documente și punerea în funcțiune

Distrugătorul de documente funcționează numai împreună cu coșul de colectare. Nu amplasați distrugătorul de documente în apropierea surselor de căldură și păstrați o distanță minimă de 10 cm față de perete. Astfel distrugătorul de documente se va răci suficient.

- 1 Așezați coșul de colectare în siguranță pe o suprafață netedă, orizontală în apropierea unei prize ușor accesibile.
- 2 Așezați atașamentul de tăiere pe coșul de colectare. Atașamentul de tăiere se fixează cu un declic. În cazul în care atașamentul de tăiere nu este fixat corespunzător pe coșul de colectare, distrugătorul de documente nu poate fi pornit.



### Precauție!

Pericol de rănire din cauza dispozitivului de tăiere ascuțit! Partea inferioară a dispozitivului de tăiere conține colțuri ascuțite. Apucați dispozitivul de tăiere numai de mână.

- 3 Glisați comutatorul principal în poziția **OFF** și conectați fișa de rețea în priză.
- 4 Glisați comutatorul principal în poziția **AUTO**.  
→ Ați pus în funcțiune distrugătorul de documente. Afișarea stării luminează albastru.

## Operarea distrugătorului de documente

Distrugătorul de documente lucrează cu mărunțire automată. Distrugătorul de documente va fi operat prin glisarea comutatorului principal.

### Mărunțirea automată a materialului

Respectați capacitatea de tăiere admisă și celelalte specificații indicate în datele tehnice.



#### Avertisment!

Pericol de rănire din cauza prinderii automate! Fanta pornește automat după alimentarea cu material. Țineți departe de fanta distrugătorului de documente părul lung, cravata, bijuteriile, piesele largi de îmbrăcăminte și alte obiecte nefixate.

### Important!

Daune materiale din cauza blocajului de material! Respectați capacitatea maximă de tăiere a fantei.

**1** Introduceți materialul de mărunțit central în fantă.

➔ Fanta trage materialul și se oprește, când nu se mai introduce material.

### Mărunțirea manuală a materialului

În cazuri rare senzorii nu identifică materialul introdus.

**1** Glisați comutatorul principal în poziția **FWD**.

➔ Materialul va fi tras manual și va fi mărunțit.

**2** Glisați comutatorul principal în poziția **OFF**.

### Oprirea distrugătorului de documente

Oprți distrugătorul de documente, dacă nu mai aveți nevoie de acesta.

**1** Glisați comutatorul principal în poziția **OFF**.

➔ Ați oprit distrugătorul de documente.

**2** Scoateți fișa de rețea din priză, dacă distrugătorul de documente nu va fi utilizat pentru o perioadă mai lungă.



## Dacă ceva nu funcționează

Următoarele indicații vă oferă asistență în cazul în care ceva nu funcționează conform așteptărilor.

### Protecție de supraîncălzire

În caz de supraîncălzire distrugătorul de documente se oprește automat. Afișarea stării luminează roșu.

- 1 Așteptați cel puțin 50 de minute până când distrugătorul de documente se răcește. Respectați distanța minimă față de perete și indicațiile privind funcționarea continuă din datele tehnice.

➔ După faza de răcire afișarea stării luminează albastru și se continuă mărunțirea.

### Protecția la supraîncărcare

Dacă ați introdus mai mult material, decât cantitatea indicată în datele tehnice, afișarea stării clipește roșu, iar distrugătorul de documente pentru 5 secunde pornește operarea inversă automată.

- 1 Scoateți materialul din distrugătorul de documente.

➔ Ați declanșat blocarea.

- După îndepărtarea materialului din distrugătorul de documente, dispozitivul de tăiere continuă să funcționeze pentru 3 secunde pentru a se curăța. Așteptați până când distrugătorul de documente se oprește din nou și afișarea stării luminează albastru.

### Lubrifierea dispozitivului de tăiere

Ungeți cu ulei dispozitivul de tăiere al distrugătorului de documente la intervale regulate pentru prelungirea duratei de viață a distrugătorului de documente.

Sunt disponibile uleiuri speciale și coli de hârtie uleioase pentru distrugătorul de documente de la HP.

### Important!

Daune materiale din cauza utilizării unor uleiuri incorecte! Nu utilizați uleiuri de pulverizare. Utilizați exclusiv ulei special pentru distrugătorul de documente.

Aveți diferite posibilități de ungere a dispozitivului de tăiere.

### Ungerea cu hârtia lubrifiată de dvs.:

- 1 Aplicați ulei special pentru distrugătorul de documente în mai multe rânduri transversale pe o coală de hârtie.

- 2 Introduceți coala de hârtie unsă în fantă.

➔ Hârtia unsă cu ulei va fi trasă și va unge dispozitivul de tăiere.

## Ungerea cu hârtie uleioasă

- 1 Introduceți coala de hârtie uleioasă în fantă.  
→ Hârtia unsă cu ulei va fi trasă și va unge dispozitivul de tăiere.

## Golirea recipientului de colectare

Nivelul de umplere al coșului de colectare trebuie verificat regulat prin fereastra-visor și la nivelul de cca. 80 % trebuie golit. Astfel împiedicați acumularea materialului mărunțit, ceea ce ar duce la funcționare defectuoasă.

- 1 Glisați comutatorul principal în poziția **OFF**.
- 2 Scoateți fișa de rețea din priză.



### Precauție!

Pericol de rănire din cauza dispozitivului de tăiere ascuțit! Partea inferioară a dispozitivului de tăiere conține colțuri ascuțite. Apucați dispozitivul de tăiere numai de mână.

- 3 Ridicați atașamentul de tăiere de pe coșul de colectare.
- 4 Goliți coșul de colectare.



### Precauție!

Pericol de rănire din cauza dispozitivului de tăiere ascuțit! Partea inferioară a dispozitivului de tăiere conține colțuri ascuțite. Apucați dispozitivul de tăiere numai de mână.

- 5 Așezați atașamentul de tăiere pe coșul de colectare.  
→ Coșul de colectare se fixează cu un declic.

## Îndepărtarea resturilor de material

În cazul în care distrugătorul de documente nu mai mărunțește materialul conform așteptărilor dvs., îndepărtați resturile de material rămase în dispozitivul de tăiere.

- 1 Glisați comutatorul principal în poziția **REV**. Dispozitivul de tăiere rulează invers și eliberează materialul rămas în dispozitivul de tăiere.
- 2 Glisați comutatorul principal în poziția **OFF**.
- 3 Scoateți fișa de rețea din priză.
- 4 Ridicați atașamentul de tăiere de pe coșul de colectare.



### Precauție!

Pericol de rănire din cauza dispozitivului de tăiere ascuțit! Fiți foarte precaut la îndepărtarea resturilor de material.

- 5 Îndepărtați resturile de material rămase în dispozitivul de tăiere cu un obiect ascuțit adecvat.
- 6 Așezați atașamentul de tăiere pe coșul de colectare.

## Curățarea distrugătorului de documente

Curățați distrugătorul de documente la intervale regulate.




**Precauție!** Pericol de rănire din cauza sclipirii de flăcări! În cazul utilizării unor spray-uri cu aer comprimat se pot forma sclipiri de flăcări. Nu utilizați niciodată spray-uri cu aer comprimat.

- 1 Glisați comutatorul principal în poziția **OFF**.
- 2 Scoateți fișa de rețea din priză.
- 3 Curățați suprafața carcasei cu o lavetă moale, uscată, care nu lasă scame. Nu utilizați spray-uri cu aer comprimat, soluții de curățare sau dizolvanți.

## Date tehnice

Model	Dimensiuni (mm)	Nivelul de securitate conform DIN 66399-2	Dimensiunea materialului de tăiat (grosime × lățime, mm)	Capacitatea de tăiere max. (coli/carduri de credit)	Lățimea de lucru (mm)	Alimentarea cu tensiune	Capacitatea coșului de colectare (l)	Greutate (kg)	Volumul sonor (dB)	Funcționare continuă (min) / durata de răcire (min)	Viteza de lucru (m/min)	Tip de tăiere
One Shred 8CC	B: 320 L: 190 H: 416	P-4	5 × 18	8 / 1	220	220 - 240 V, 50 - 60 Hz, 1,2 A, 200 W	15	4,3	68	4 / 50	1,8	Tăiere în cruce

## Eliminarea

 Simbolul alăturat indică faptul că echipamentele electrice și electronice uzate fac obiectul unei colectări separate față de gunoiul menajer. Eliminarea este gratuită. Pentru eliminare duceți aparatul la punctul dumneavoastră local de colectare al entității responsabile cu deșeurile. Eliminați materialele de ambalare conform prevederilor locale.



## Indicații privind depozitarea

După utilizare distrugătorul de documente trebuie depozitat în siguranță. Respectați următoarele indicații:

Depozitați distrugătorul de documente

- numai în ambalajul original
- într-un loc uscat, curat
- numai în stare răcită

## Întrebări și service


Stimate Client,

Vă mulțumim că ați ales acest produs.

În cazul în care n-ar funcționa conform așteptărilor sau este defect, adresați-vă dealerului, de la care ați achiziționat acest produs.

## Declarație de conformitate

Confirmăm conformitatea cu standardul DIN 66399-2 cu nivelurile de securitate listate în specificațiile produsului.

 Marcajul CE de pe aparat atestă conformitatea.

Declarația de conformitate se găsește la [www.hp.com/officeequipment](http://www.hp.com/officeequipment)

## Producătorul

GO Europe GmbH  
Zum Kraftwerk 1  
D-45527 Hattingen  
Germania

## Чтение руководства по эксплуатации



Внимательно прочитайте руководство по эксплуатации и следуйте при работе с шредером. Сохранить руководство по эксплуатации для последующего использования.

## Использование по назначению

Ваш шредер подходит для измельчения бумаги, кредитных карт, скрепок и скоб. Шредер предназначен исключительно для частного использования в закрытых помещениях.

Любое иное применение считается использованием не по назначению. Самовольные изменения или реконструкция недопустимы и ведут к утрате гарантии.

## Соблюдение указаний по технике безопасности

Прочсть и соблюдать предупреждения для защиты себя и окружающей среды.



### Предупреждение!

Опасность получения травм от втягивающего механизма. Незакрепленные предметы могут попасть во втягивающий механизм и стать причиной травм. Пальцы, волосы, шарфы, галстуки, украшения и т.п. не подносить к втягивающему механизму.



### Предупреждение!

Опасность получения травм из-за удара электрическим током. Неправильное обращение с шредером может привести к удару электрическим током. Самовольные изменения или реконструкция шредера не допустимы. Не использовать шредер с поврежденным кабелем питания. В случае повреждений или ненадлежащей работы немедленно отключить шредер и вытащить штекер питания из розетки.

Поручать выполнение ремонта только квалифицированному специализированному персоналу. Ставить шредер рядом с легко доступной розеткой, чтобы можно было быстро отключить шредер в аварийном случае от электросети. Никогда не влажными руками. Избегать любого контакта с водой.



### Предупреждение!

Опасность душения из-за мелких деталей, упаковочных материалов или защитных пленок. Дети могут проглотить маленькие детали, упаковочные материалы или защитную пленку. Хранить прибор и его упаковку в недоступном для детей месте.



### Предупреждение!

Данный прибор может использоваться детьми в возрасте старше восьми лет и лицами с ограниченными физическими, сенсорными или умственными способностями или недостаточным опытом и/или знаниями, если они находятся под присмотром или прошли инструктаж по безопасному использованию прибора и поняли возникающие при использовании опасности. Детям запрещается играть с прибором. Детям запрещается выполнять чистку и пользовательское техническое обслуживание без присмотра.

**Осторожно!**

Опасность споткнуться из-за проложенного ненадлежащим образом кабеля питания. Прокладывать кабель питания так, чтобы никто не мог споткнуться о него. Следить за тем, чтобы на сетевом штекере или кабеле питания не могли возникнуть повреждения.

**Важно!**

Возможен имущественный ущерб. Избегать влияний окружающей среды, например, таких как дым, пыль, вибрации, химикалии, влага, жара или прямые солнечные лучи.

Использовать шредер только в закрытых помещениях.

Соблюдать следующие указания, чтобы шредер всегда работал в соответствии вашим ожиданиям.



Перед вводом в эксплуатацию прочесть руководство по эксплуатации.



Не допускать нахождения длинных волос рядом с шредером.



Не допускать нахождения свободных предметов одежды, украшений или иных незакрепленных предметов рядом с шредером.



Не допускать нахождения галстуков и шарфов рядом с шредером.



Общее указание на возможные опасности, требующие вашего особого внимания.



**Предупреждение!** Опасность получения травм из-за автоматического втягивания! Втягивающий механизм запускается автоматически, как только будет подан материал. Не допускать попадания длинных волос, галстуков, украшений, свободных предметов одежды и иных незакрепленных предметов во втягивающий механизм шредера.



Никогда не протягивать конически непосредственно во втягивающий механизм.



Не допускать нахождения детей и домашних животных рядом с шредером.



Не распылять легковоспламеняющиеся газы в направлении шредера. Никогда не использовать спреи со сжатым воздухом.



Одновременно подавать во втягивающий механизм максимум 8 листов.



**Осторожно!** Опасность получения травм из-за острых кромок режущего механизма!



Вводить кредитные карты только вертикально.

## Проверить содержимое упаковки

Проверить содержимое упаковки вашего shreddера перед тем, как вводить его в эксплуатацию.

Если что-то отсутствует или повреждено, ни в коем случае не начинать эксплуатацию shreddера. Обратиться в нашу сервисную службу.

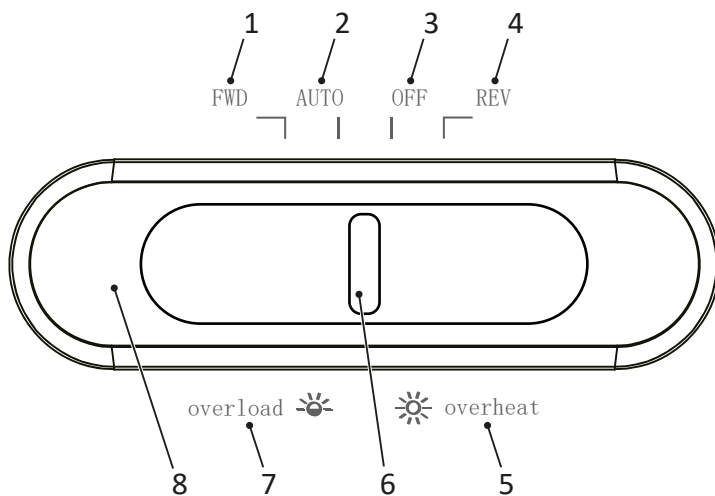
- Шредер OneShred 8CC с приемной корзиной для измельченного продукта
- Руководство по эксплуатации
- 1 лист промасленной бумаги

## Детальное представление shreddера

Следующий рисунок детально представляет shreddер.



1	Главный выключатель	5	Ручка
2	Индикация состояния	6	Смотровое окно
3	Втягивающий механизм	7	Приемная корзина
4	Насадка режущего механизма		



1	Ручной режим	5	Перегрев
2	Автоматический режим	6	Главный выключатель
3	Прибор выкл.	7	Перегрузка
4	Режим работы в обратном направлении	8	Индикация состояния

## Установка и ввод шредера в эксплуатацию

Ваш шредер работает только с приемной корзиной. Не устанавливайте шредер рядом с источниками тепла и соблюдать расстояние как минимум в 10 см относительно стены. Так обеспечивается достаточное охлаждение шредера.

- 1 Устойчиво установить приемную корзину на ровную, горизонтальную поверхность и рядом с легко доступной розеткой.
- 2 Установить насадку режущего механизма на приемную корзину. Насадка режущего механизма с щелчком зафиксируется. Если насадка режущего механизма ненадлежащим образом установлена на приемную корзину, то шредер включить невозможно.



### Осторожно!

Опасность получения травм из-за острых кромок режущего механизма! Нижняя сторона режущего механизма имеет углы с острыми кромками. Брать режущий механизм только за ручки.

- 3 Переключить главный выключатель в положение **OFF** и вставить сетевой штекер в розетку.
- 4 Переключить главный выключатель в положение **AUTO**.

➔ Ввод шредера в эксплуатацию выполнен. Индикация состояния горит синим цветом.



## Управление шредером

Ваш шредер работает с автоматическим измельчением. Управление шредером осуществляется за счет переключений главного выключателя.

### Автоматическое измельчение материала

Соблюдать максимально допустимую режущую способность и другие спецификации, указанные в технических данных.



#### Предупреждение!

Опасность получения травм из-за автоматического втягивания! Втягивающий механизм запускается автоматически, как только будет подан материал. Не допускать попадания длинных волос, галстуков, украшений, свободных предметов одежды и иных незакрепленных предметов во втягивающий механизм шредера.

### Важно!

Имущественный ущерб из-за затора материала! Учитывать максимальную режущую способность втягивающего механизма.

- 1 Подавать измельчаемый материал во втягивающий механизм по центру.
  - ➔ Втягивающий механизм втягивает материал и останавливается, если материал больше не подается.

### Ручное измельчение материала

В редких случаях датчики не распознают поданный материал.

- 1 Переключить главный выключатель в положение **FWD**.
  - ➔ Материал втягивается вручную и измельчается.
- 2 Переключить главный выключатель в положение **OFF**.

### Выключение шредера

Выключить шредер, если он больше не требуется.

- 1 Переключить главный выключатель в положение **OFF**.
  - ➔ Шредер выключен.
- 2 Вытащить сетевой штекер из розетки, если шредер в течение длительного времени использоваться не будет.

## Если что-то не работает

Следующие указания помогут вам, если что-то работает не так, как ожидалось.

### Защита от перегрева

При перегреве шредер автоматически отключается. Индикация состояния горит красным цветом.

- 1 Выждать как минимум 50 минут, пока шредер не остынет. Соблюдать минимальное расстояние до стены и указания по длительной работе в технических характеристиках.
  - ➔ После фазы охлаждения индикация состояния горит синим цветом, и продолжается измельчение.

### Защита от перегрузки

Если подано больше материала, чем указано в технических данных, индикация состояния мигает красным цветом и шредер запускает на 5 секунд автоматический обратный ход.

- 1 Вытащить материал из шредера.
  - ➔ Блокировка снята.
- После удаления материала из шредера режущий механизм работает еще в течение 3 секунд для очистки. Выждать, пока шредер снова не остановится и индикация состояния не загорится синим цветом.

### Смазка режущего механизма

Регулярно смазывать режущий механизм шредера, чтобы продлить срок службы шредера.

В продаже имеются специальное масло и промасленная бумага для шредеров от HP.

#### Важно!

Имущественный ущерб при использовании неподходящих масел! Не использовать распыляемые масла. Использовать исключительно специальное масло для шредера.

Есть различные возможности для смазки режущего механизма.

#### Смазка с помощью самостоятельно промасленной бумаги:

- 1 Нанести специальное масло для шредера несколькими поперечными линиями на лист бумаги.
- 2 Подать лист промасленной бумаги во втягивающий механизм.
  - ➔ Промасленная бумага втягивается и смазывает режущий механизм.

#### Смазка с помощью промасленной бумаги

- 1 Подать лист промасленной бумаги во втягивающий механизм.
  - ➔ Промасленная бумага втягивается и смазывает режущий механизм.

## Опорожнение приемной корзины

Уровень заполнения приемной корзины необходимо регулярно проверять через смотровое окно и опорожнять начиная с уровня заполнения прим. 80 %. Так предотвращается застревание измельчаемого материала и неправильная работа.

**1** Переключить главный выключатель в положение **OFF**.

**2** Вытащить сетевой штекер из розетки.



### Осторожно!

Опасность получения травм из-за острых кромок режущего механизма! Нижняя сторона режущего механизма имеет углы с острыми кромками. Брать режущий механизм только за ручки.

**3** Поднять насадку режущего механизма с приемной корзины.

**4** Опорожнить приемную корзину.



### Осторожно!

Опасность получения травм из-за острых кромок режущего механизма! Нижняя сторона режущего механизма имеет углы с острыми кромками. Брать режущий механизм только за ручки.

**5** Установить насадку режущего механизма на приемную корзину.

→ Приемная корзина с щелчком зафиксирована.

## Удаление остатков материала

Если ваш шредер больше не измельчает материал так, как вы того ожидаете, удалить имеющиеся остатки материала из режущего механизма.

**1** Переключить главный выключатель в положение **REV**. Режущий механизм работает в обратном направлении и высвобождает оставшийся в режущем механизме материал.

**2** Переключить главный выключатель в положение **OFF**.

**3** Вытащить сетевой штекер из розетки.

**4** Поднять насадку режущего механизма с приемной корзины.



### Осторожно!

Опасность получения травм из-за острых кромок режущего механизма! При удалении остатков материала проявлять особую осторожность.

**5** Осторожно удалить имеющиеся остатки материала подходящим острым предметом из режущего механизма.

**6** Установить насадку режущего механизма на приемную корзину.

## Чистка шредера

Регулярно очищать шредер.



### Осторожно!


Опасность получения травм из-за вспышек пламени! При использовании спреев со сжатым воздухом возможны вспышки пламени. Никогда не использовать спреи со сжатым воздухом.


- 1 Переключить главный выключатель в положение **OFF**.
- 2 Вытащить сетевой штекер из розетки.
- 3 Очистить поверхности прибора мягкой, сухой тряпкой без ворса. Не использовать пневматические спреи, чистящие средства или растворители.

## Технические данные

Модель	Габариты (мм)	Уровень секретности согласно DIN 66399-2	Размер фрагмента (толщина × ширина, мм)	Макс. режущая способность (листы / кредитные карты)	Рабочая ширина (мм)	Электропитание	Емкость приемной корзины (л)	Вес (кг)	Громкость (дБ)	Непрерывная работа (мин.) / время остывания (мин.)	Рабочая скорость (м/мин.)	Тип резки
OneShred 8CC	Ш: 320 Д: 190 В: 416	P-4	5 × 18	8 / 1	220	220 - 240 В, 50 - 60 Гц, 1,2 А, 200 Вт	15	4,3	68	4 / 50	1,8	пере- крест- ный

## Утилизация

 Стоящий рядом символ означает, что старое электрическое и электронное оборудование должно утилизироваться отдельно от бытовых отходов в соответствии с требованиями законодательства. Утилизация производится бесплатно. Утилизировать прибор в пункты сбора мусора коммунального предприятия по ликвидации отходов.

 Утилизировать упаковочные материалы в соответствии с местными предписаниями.

## Указания по хранению

После использования необходимо обеспечить безопасное хранение shreddera. Соблюдать следующие указания:

Хранить shredder

- только в оригинальной упаковке
- в сухом, чистом месте
- только в охлажденном состоянии

## Вопросы и сервисное обслуживание


Уважаемый клиент,

большое спасибо, что выбрали этот продукт.

Если он работает не так, как ожидалось, или неисправен, обратитесь к дилеру, у которого вы приобрели этот продукт.

## Сертификат соответствия

Мы подтверждаем соответствие согласно DIN 66399-2 с перечисленными в спецификации продукта уровнями безопасности.

 Соответствие подтверждается знаком "CE" на изделии.  
Сертификат соответствия приведен на сайте [www.hp.com/officeequipment](http://www.hp.com/officeequipment)

## Изготовитель

GO Europe GmbH  
Цум Крафтверк 1  
D-45527 Хаттинген  
Германия

## Prečítajte si návod na obsluhu



Pozorne si prečítajte návod na obsluhu a pri manipulácii so skartovačkou dodržiavajte bezpečnostné pokyny. Návod na obsluhu si uschovajte na neskoršie použitie.

## Použitie podľa určenia

Vaša skartovačka je určená na skartovanie papiera, platobných kariet, kancelárskych spôn a svoriek. Skartovačka je určená výhradne na súkromné použitie v uzavretých miestnostiach.

Akékoľvek iné použitie sa považuje za použitie nezodpovedajúce účelu. Neautorizované zmeny alebo prestavby nie sú povolené a záruka stráca platnosť.

## Dodržiavajte bezpečnostné pokyny

Prečítajte si a dodržujte varovné pokyny, aby ste chránili seba a životné prostredie.



### Varovanie!

Nebezpečenstvo poranenia v dôsledku podávacieho mechanizmu. Uvoľnené predmety sa môžu zachytiť v podávači a spôsobiť zranenia. Držte prsty, vlasy, šatky, kravaty, šperky atď. v dostatočnej vzdialenosti od podávača.



### Varovanie!

Nebezpečenstvo úrazu elektrickým prúdom. Nesprávna manipulácia so skartovačkou môže viesť k úrazu elektrickým prúdom. Neautorizované zmeny alebo úpravy skartovačky nie sú povolené. Skartovačku neprevádzkujte s poškodeným sieťovým káblom. Skartovačku v prípade poškodenia alebo neprimeraného fungovania ihneď vypnite a sieťovú vidlicu vyťahnite zo zásuvky.

Nechajte vykonávať opravy iba kvalifikovanému personálu. Skartovačku umiestnite v blízkosti ľahko prístupnej zásuvky, aby bolo možné skartovačku v núdzovom prípade rýchlo odpojiť od elektrickej siete. Nikdy sa nedotýkajte skartovačky mokrými rukami. Zabráňte kontaktu s vodou.



### Varovanie!

Nebezpečenstvo zadusenía spôsobeného malými časťami, obalovými materiálmi alebo ochrannými fóliami. Deti môžu prehltnúť malé časti, obalový materiál alebo ochranné fólie. Udržujte zariadenie a jeho obal mimo dosahu detí.

**Varovanie!**

Toto zariadenie môžu používať deti staršie ako osem rokov a osoby s obmedzenými fyzickými, zmyslovými alebo mentálnymi schopnosťami alebo nedostatkom skúseností a/alebo vedomostí, keď sú pod dozorom alebo poučenými o bezpečnom používaní zariadenia a výsledného zariadenia a pochopili vzniknuté nebezpečenstvá. Deti sa so zariadením nesmú hrať. Čistenie a údržbu užívateľa nesmú vykonávať deti bez dozoru.

**Upozornenie!**

Nebezpečenstvo zakopnutia o nesprávne položené káble. Sieťový kábel uložte tak, aby oň nemohol nikto zakopnúť. Uistite sa, že zástrčka ani sieťová šnúra nie sú poškodené.

**Dôležité!**

Možné škody na majetku. Zabráňte pôsobeniu vplyvov okolitého prostredia, ako je napríklad dym, prach, otrasy, chemikálie, vlhkosť, teplo alebo priame slnečné žiarenie.

Skartovačku používajte len v uzavretých miestnostiach.

Dbajte na dodržiavanie pokynov uvedených v ďalšom texte, aby Vaša skartovačka vždy fungovala tak, ako to očakávate.



Pred uvedením do prevádzky si prečítajte návod na obsluhu.



Dlhé vlasy držte ďalej od Vašej skartovačky.



Voľné časti odevu, šperky alebo iné voľne sa pohybujúce predmety držte ďalej od Vašej skartovačky.



Kravaty a šály držte ďalej od Vašej skartovačky.



Všeobecne platné upozornenie na možné nebezpečenstvá, ktoré si vyžadujú Vašu osobitnú pozornosť.



**Varovanie!** Nebezpečenstvo poranenia v dôsledku automatického podávania! Zavádzanie sa automaticky spustí, akonáhle je vložený materiál. Voľné časti odevu, kravaty, šperky, dlhé vlasy alebo iné voľné predmety udržiavajte v dostatočnej vzdialenosti od podávača vašej skartovačky.



Nikdy nesaiahajte priamo do podávača.



Skartovačku udržiajte mimo dosahu detí a domácich zvierat.



V smere umiestnenia Vašej skartovačky nestriekajte horľavé plyny. Tlakové spreje nikdy nepoužívajte.



Do vstupného otvoru zasuňte maximálne 8 listov súčasne.



**Upozornenie!** Nebezpečenstvo poranenia o rezací mechanizmus s ostrými hranami.



Platobné karty vkladajte len vo vertikálnej polohe.

## Skontrolujte obsah obalu

Pred uvedením skartovačky do prevádzky skontrolujte obsah balenia vašej skartovačky.

Ak niečo chýba alebo je poškodené, skartovačku nepoužívajte. Kontaktujte náš servis.

- Skartovačka OneShred 8CC so záchytnou nádobou na skartovaný odpad
- Návod na obsluhu
- 1 list olejového papiera

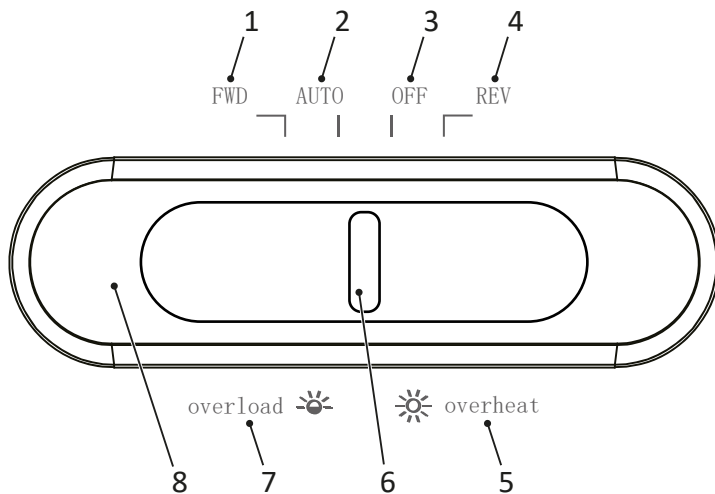
## Podrobné zobrazenie Vašej skartovačky

Nasledovný obrázok predstavuje podrobné zobrazenie skartovačky.



1	Hlavný vypínač	5	Rukoväť
2	Indikácie stavu	6	priehľadné okienko
3	Podávač	7	Zberná nádoba
4	Nástavec rezacieho mechanizmu		





1	Manuálna prevádzka	5	Prehriatie
2	Automatická prevádzka	6	Hlavný vypínač
3	prístroj vypnutý	7	zahltienie
4	Spätný chod	8	Indikácie stavu

## Postavenie a uvedenie skartovačky do prevádzky

Vaša skartovačka funguje iba so zbernou nádobou. Skartovačku neumiestňujte v blízkosti tepelných zdrojov a zachovajte minimálnu vzdialenosť v rozsahu 10 cm od steny. Tým sa zabezpečí dostatočné chladenie skartovačky.

- 1 Skartovačku stabilne postavte na rovný, vodorovný povrch a do blízkosti dobre prístupnej zásuvky.
- 2 Nástavec rezacieho mechanizmu správne nasadte na zbernú nádobu. Nástavec rezacieho mechanizmu počutelne zaskočí. Ak nástavec rezacieho mechanizmu nie je na zbernej nádobe správne umiestnený, nedá sa skartovačka zapnúť.



### Upozornenie!

Nebezpečenstvo poranenia o rezací mechanizmus s ostrými hranami. Spodná strana rezacieho mechanizmu má rohy s ostrými hranami. Rezací mechanizmus uchopte len za rukoväť.

- 3 Hlavný vypínač presuňte do polohy **OFF (VYPNUTÉ)** a sieťovú vidlicu zasuňte do zásuvky.
- 4 Posuňte hlavný vypínač do polohy **AUTO**.  
→ Tým ste Vašu skartovačku uviedli do prevádzky. Indikátor stavu svieti namodro.

## Obsluha skartovačky

Vaša skartovačka pracuje v režime automatického rezania a skartovania. Obsluha skartovačky prebieha prostredníctvom posunu hlavného vypínača.

### Automatické skartovanie materiálu

Dbajte na maximálne prípustný rezný výkon a ďalšie špecifikácie, ktoré sú uvedené v technických údajoch.



#### Varovanie!

Nebezpečenstvo poranenia v dôsledku automatického podávania! Zavádzanie sa automaticky spustí, akonáhle je vložený materiál. Voľné časti odevu, kravaty, šperky, dlhé vlasy alebo iné voľné predmety udržiavajte v dostatočnej vzdialenosti od podávača vašej skartovačky.

### Dôležité!

Možné vecné škody kvôli vzpričeniu materiálu! Dbajte na maximálny rezací výkon podávača.

- 1 Materiál, ktorý je určený na skartovanie, zasunúť stredom do vstupného otvoru.
  - ➔ Vo vstupnom otvore sa materiál vtiahne a chod sa zastaví, keď sa nezasunie žiaden ďalší materiál.

### Manuálne skartovanie materiálu

V zriedkavo sa vyskytujúcich prípadoch senzory nezistia zasunutý materiál.

- 1 Posuňte hlavný vypínač do polohy **FWD**.
  - ➔ Materiál sa vtiahne a skartuje manuálne.
- 2 Posuňte hlavný vypínač do polohy **OFF**.

### Vypnutie skartovačky

Skartovačku vypnite, ak ho už nebudete potrebovať.

- 1 Posuňte hlavný vypínač do polohy **OFF**.
  - ➔ Skartovačku ste vyplí.
- 2 Ak skartovačku dlhšie nepoužívate, vytiahnite sieťovú vidlicu zo zásuvky.

## Ak niečo nefunguje

Nasledujúce pokyny vám pomôžu, ak nebude niečo fungovať tak, ako očakávate.

### Ochranný systém proti prehriatiu

Skartovačka sa pri prehriatí automaticky vypne. Indikácia stavu svieti červenou farbou.

- 1 Vyčkajte najmenej 50 minút, kým skartovačka nevychladne. Dbajte na dodržanie minimálnej vzdialenosti od steny a na informácie ohľadne trvalého chodu, ktoré sú uvedené v technických údajoch.

→ Po fáze chladenia sa indikátor stavu rozsvieti na modro a v skartovaní sa pokračuje.

### Ochrana proti preťaženiu

Ak ste zasunuli viac materiálu ako je uvedené v technických údajoch, indikácia stavu bliká červenou farbou a skartovačka spustí automatický spätný chod v trvaní piatich sekúnd.

- 1 Materiál vytiahnite zo skartovačky.

→ Uvoľnili ste zablokovanie.

- Po odstránení materiálu zo skartovačky sa rezací mechanizmus ďalej pohybuje počas troch sekúnd, aby sa vyčistil. Vyčkajte, až kým sa skartovačka opäť nezastaví a indikácia stavu nesvieti modrou farbou.

### Naolejovanie rezacieho mechanizmu

Rezací mechanizmus skartovačky v pravidelných intervaloch namažte olejom, aby sa predĺžila životnosť skartovačky.

K dostaniu je špeciálny olej a olejové listy na údržbu skartovačky od HP.

#### Dôležité!

Pri použití nesprávnych olejov môže dôjsť k vecným škodám! Nepoužívajte sprejové oleje. Používajte len špeciálny olej určený pre skartovačky.

K dispozícii máte rôzne možnosti namazania rezacieho mechanizmu olejom.

#### Namazanie olejom pomocou vlastnoručne naolejovaného papiera:

- 1 Špeciálny olej pre skartovačky naneste v niekoľkých pruhoch priečne na list papiera.

- 2 Zavedte naolejovaný list papiera do podávača.

→ Papier postriekaný olejom sa vtiahne a namaže rezaciu jednotku.

#### Namazanie olejom pomocou olejových listov

- 1 Olejový list papiera zasuňte do vstupného otvoru.

→ Papier postriekaný olejom sa vtiahne a namaže rezaciu jednotku.

## Vyprázdenie zbernej nádoby

Stav naplnenia záchytnej nádoby sa musí pravidelne kontrolovať prostredníctvom priehľadného okienka a záchytná nádoba sa musí vyprázdiť, ak naplnenie dosiahne hodnotu cca. 80 %. Tým zabránite hromadeniu skartovaného materiálu, čo by mohlo viesť k chybným funkciám.

**1** Posuňte hlavný vypínač do polohy **OFF**.

**2** Vytiahnite sieťovú zástrčku zo zásuvky.



### Upozornenie!

Nebezpečenstvo poranenia o rezací mechanizmus s ostrými hranami. Spodná strana rezacieho mechanizmu má rohy s ostrými hranami. Rezací mechanizmus uchopte len za rukoväť.

**3** Nástavec rezacieho mechanizmu vytiahnite zo záchytnej nádoby.

**4** Záchytnú nádobu vyprázdnite.



### Upozornenie!

Nebezpečenstvo poranenia o rezací mechanizmus s ostrými hranami. Spodná strana rezacieho mechanizmu má rohy s ostrými hranami. Rezací mechanizmus uchopte len za rukoväť.

**5** Nástavec rezacieho mechanizmu správne nasadíte na zbernú nádobu.

→ Záchytná nádoba počuteľne zaklapne.

## Odstránenie zvyšku materiálu

Ak Vaša skartovačka už materiál neskartuje tak, ako to očakávate, z rezacieho mechanizmu odstráňte zvyšky materiálu, ktoré v ňom zostali.

**1** Posuňte hlavný vypínač do polohy **REV**. Rezací mechanizmus spustí spätný chod a uvoľní materiál, ktorý v ňom zostal.

**2** Posuňte hlavný vypínač do polohy **OFF**.

**3** Vytiahnite sieťovú zástrčku zo zásuvky.

**4** Nástavec rezacieho mechanizmu vytiahnite zo záchytnej nádoby.



### Upozornenie!

Nebezpečenstvo poranenia o rezací mechanizmus s ostrými hranami. Nebezpečenstvo poranenia v dôsledku rezacieho mechanizmu s ostrými hranami.

**5** Zvyšky materiálu, ktoré zostali v skartovačke, opatrne odstráňte z rezacieho mechanizmu pomocou vhodného ostrého predmetu.

**6** Nástavec rezacieho mechanizmu správne nasadíte na zbernú nádobu.

## Čistenie skartovačky

Skartovačku čistite v pravidelných intervaloch.



### Upozornenie!


Nebezpečenstvo poranenia ostrým plameňom! Pri použití tlakových sprejov môže dôjsť k výskytu ostrého plameňa. Tlakové spreje nikdy nepoužívajte.

- 1 Posuňte hlavný vypínač do polohy **OFF**.
- 2 Vytiahnite sieťovú zástrčku zo zásuvky.
- 3 Povrch prístroja čistite mäkkou, suchou handričkou, ktoré nemá chlpy. Nepoužívajte tlakové spreje, čistiace prostriedky alebo rozpúšťadlá.

## Technické údaje

Model	Rozmery (mm)	Stupeň bezpečnosti podľa normy DIN 66399-2	Veľkosť rezaného materiálu (hrúbka × šírka, mm)	Max. rezný výkon (listy / platobná karta)	Pracovná šírka (mm)	Napájanie prúdom	Objem záchytnej nádoby (l)	Hmotnosť (kg)	Hlasitosť (dB)	Nepretržitá prevádzka (min.) / doba chladenia (min)	Pracovná rýchlosť (m/min.)	Druh rezania
One-Shred 8CC	Š: 320 D: 190 H: 416	P-4	5 × 18	8 / 1	220	220 - 240 V, 50 - 60 Hz, 1,2 A, 200 W	15	4,3	68	4 / 50	1,8	Spôsob rezania = častice

## Likvidácia

 Symbol vľavo znamená, že staré elektrické a elektronické zariadenia sa musia z dôvodu zákonných predpisov likvidovať oddelene od domového odpadu. Likvidácia je bezplatná. Zlikvidujte prístroj na zbernom mieste na likvidáciu komunálneho odpadu. Obalový materiál zlikvidujte podľa lokálnych predpisov.



## Pokyny na uskladnenie

Skartovačka sa musí po použití bezpečne uskladniť. Dbajte na nasledovné pokyny:

Skartovačku skladujte

- len v originálnom obale
- na suchom, čistom mieste
- len po vychladnutí

## Otázky a služby


Vážený zákazník,

ďakujeme, že ste si vybrali tento produkt.

Ak skartovačka nefunguje podľa Vášho očakávania alebo ak je chybná, obráťte sa na predajcu, u ktorého ste tento produkt zakúpili.

## Vyhlásenie o zhode

Potvrdzujeme zhodu podľa DIN 66399-2 so stupňami bezpečnosti, ktoré sú uvedené v produktovej špecifikácii.

 Značka CE na prístroji potvrdzuje zhodu. Vyhlásenie o zhode nájdete na [www.hp.com/officeequipment](http://www.hp.com/officeequipment)

## Výrobca

GO Europe GmbH  
Zum Kraftwerk 1  
D-45527 Hattingen  
Nemecko

## Pročitati uputstvo za upotrebu



Pažljivo pročitate ovo uputstvo i sledite uputstva za rukovanje Vašim šrederom. Sačuvajte Uputstvo za upotrebu za kasniju upotrebu.

## Pravilna upotreba

Vaš šreder je pogodan za usitnjavanje papira, kreditnih kartica, spajalica. Šreder je namenjen isključivo za privatnu upotrebu u zatvorenim prostorijama.

Svaka druga upotreba se smatra nenamenskom. Svojevoljne promene ili nadogradnje nisu dozvoljene i dovode do gubitka garancije.

## Poštovati sigurnosne napomene

Pročitajte i sledite upozorenja kako biste zaštitili sebe i okolinu.



### Upozorenje!

Opasnost od povređivanja usled mehanizma uvlačenja. Slobodni predmeti se mogu zahvatiti prilikom uvlačenja i izazvati povrede. Prste, kosu, šalove, kravate, nakit itd. držite dalje od uvlačenja.



### Upozorenje!

Opasnost od povređivanja usled strujnog udara. Pogrešno rukovanje šrederom može dovesti do strujnog udara. Svojevoljne promene ili nadogradnje na šrederu nisu dozvoljene. Nemojte koristiti šreder sa oštećenim kablom. U slučaju oštećenja ili nepravilnog funkcionisanja odmah isključite šreder i izvucite utikač.

Popravke treba da izvodi samo kvalifikovano osoblje. Postavite šreder u blizini pristupačne utičnice tako da se u hitnom slučaju utikač može brzo izvući iz utičnice. Nikada ne hvatajte mokrim rukama. Izbegavajte svaki kontakt sa vodom.



### Upozorenje!

Opasnost od gušenja malim delovima, materijalom pakovanja ili zaštitnom folijom. Deca mogu da progutaju male delove, materijal pakovanja ili zaštitnu foliju. Držati decu dalje od uređaja i njegovog pakovanja.

**Upozorenje!**

Ovaj uređaj mogu da koriste deca starosti od osam godina kao i osobe sa ograničenim fizičkim, senzornim ili mentalnim sposobnostima ili nedostatkom iskustva ili znanja ako su pod nadzorom ili ako su obučeni za sigurnu upotrebu uređaja i ako razumeju opasnosti koje iz toga proizilaze. Deca se ne smeju igrati uređajem. Čišćenje i održavanje od strane korisnika ne smeju vršiti deca bez nadzora.

**Oprez!**

Opasnost od spoticanja usled nepravilno postavljenog mrežnog kabla. Postavite kabl tako da se niko ne može o njega spotaći. Vodite računa o tome da na utikaču ili mrežnom kablju ne mogu da nastanu oštećenja.

**Važno!**

Moguće su materijalne štete. Izbegavati uticaj okoline kao što su npr. dim, prašina, potrešaji, hemikalije, vlaga, vrućina ili direktno sunčevo zračenje.

Šreder koristiti samo u zatvorenim prostorijama.

Sledite sledeće napomene da bi šreder uvek funkcionisao kako očekujete.



Pre puštanja u rad pročitajte ovo Uputstvo za upotrebu.



Vašu dugu kosu držite daleko od šredera.



Slobodne delove odeće, nakit ili druge slobodne delove držite daleko od Vašeg šredera.



Kravate i šalove držite daleko od šredera.



Opšta napomena o mogućim opasnostima koje zahtevaju Vašu posebnu pažnju.



**Upozorenje!** Opasnost od povreda usled automatskog uvlačenja! Uvlačenje startuje automatski čim se unese materijal. Dugu kosu, kravate, nakit, slobodne delove odeće i druge slobodne predmete držite daleko od mesta uvlačenja na Vašem šrederu.



Nikada nemojte direktno hvatati za mesto uvlačenja.



Decu i kućne ljubimce držite daleko od šredera.



Nemojte prskati zapaljive gasove u smeru Vašeg šredera. Nikada ne koristite sprejeve pod vazдушnim pritiskom.



U mesto za uvlačenje istovremeno stavljajte maksimalno 8 listova.



**Oprez!** Opasnost od povreda usled oštrih ivica jedinice za sečenje!



Kreditne kartice postavljajte samo vertikalno.



## Proveriti sadržaj pakovanja

Proverite sadržaj pakovanja Vašeg šredera, pre nego što pustite šreder u rad.

Ukoliko nešto nedostaje ili je oštećeno, ni u kom slučaju nemojte puštati šreder u rad. Obratite se našem servisu.

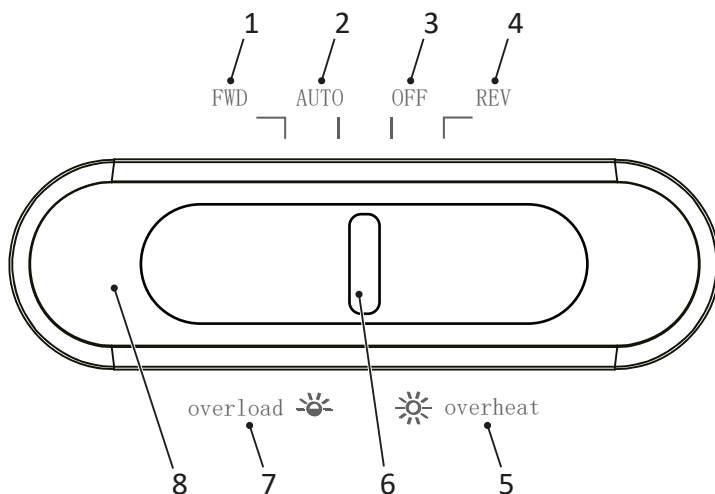
- Šreder OneShred 8CC sa posudom za isečeni
- Uputstvo za upotrebu
- 1 list voštani papir

## Vaš šreder detaljno

Sledeća slika detaljno predstavlja šreder.



1	Glavni prekidač	5	Ručka
2	Prikaz statusa	6	Okno
3	Uvlačenje	7	Prihvatna posuda
4	Nastavak jedinice za sečenje		



1	Manuelni pogon	5	Pregrevanje
2	Automatski pogon	6	Glavni prekidač
3	Uređaj isklj.	7	Preopterećenje
4	Pogon unazad	8	Prikaz statusa

## Postaviti šreder i pustiti ga u rad

Vaš šreder radi samo sa posudom za prihvrat. Nemojte postavljati šreder u blizini izvora toplote i držite udaljenost od zida od najmanje 10 cm. Tako se šreder optimalno hladi.

- 1 Postavite posudu za prihvrat na ravnu vodoravnu površinu i u blizini lako pristupačne utičnice.
- 2 Postavite nastavak jedinice za sečenje na posudu za prihvrat. Nastavak jedinice za sečenje se zvučno fiksira. Ukoliko nastavak jedinice za sečenje nije pravilno postavljen na posudi za prihvrat, šreder se ne može uključiti.



### Oprez!

Opasnost od povreda usled oštih ivica jedinice za sečenje! Donja strana jedinice za sečenje sadrži oštre uglove. Jedinicu za sečenje hvatajte samo za ručice.

- 3 Gurnite glavni prekidač u poziciju **OFF** i uključite utikač u utičnicu.
- 4 Gurnite glavni prekidač u poziciju **AUTO**.  
→ Pustili ste Vaš šreder u pogon. Prikaz statusa svetli plavo.

## Upotreba šredera

Vaš šreder radi sa automatskim usitnjavanjem. Šrederom se upravlja pomeranjem glavnog prekidača.

### Automatsko usitnjavanje materijala

Poštujte maksimalni dozvoljeni učinak sečenja i druge specifikacije koje su navedene u tehničkim podacima.



#### Upozorenje!

Opasnost od povreda usled automatskog uvlačenja! Uvlačenje startuje automatski čim se unese materijal. Dugu kosu, kravate, nakit, slobodne delove odeće i druge slobodne predmete držite daleko od mesta uvlačenja na Vašem šrederu.

### Važno!

Materijalna šteta kroz zastoj materijala! Sledite maksimalni učinak sečenja mesta uvlačenja.

- 1 U mesto za uvlačenje stavljajte materijal za usitnjavanje po sredini.
  - ➔ Mesto uvlačenja uvlači materijal i zaustavlja se kada se ne dodaje dalji materijal.

### Manuelno usitnjavanje materijala

U retkim slučajevima senzori ne prepoznaju ubačeni materijal.

- 1 Gurnite glavni prekidač u poziciju **FWD**.
  - ➔ Materijal se manuelno uvlači i usitjava.
- 2 Gurnite glavni prekidač u poziciju **OFF**.

### Isključiti šreder

Isključite šreder kada Vam više nije potreban.

- 1 Gurnite glavni prekidač u poziciju **OFF**.
  - ➔ Isključili ste šreder.
- 2 Izvucite utikač iz utičnice, ako se šreder ne koristi duži vremenski period.

## Ako nešto ne funkcioniše

Sledeće napomene će Vam pomoći, ako nešto ne funkcioniše, na način na koji očekujete.

### Zaštita od pregrevanja

Šreder se u slučaju pregrevanja automatski isključuje. Prikaz statusa svetli crveno.

- 1 Sačekajte najmanje 50 minuta dok se šreder ne ohladi. Poštujte minimalno odstojanje od zida i podatke o trajnom pogonu u tehničkim podacima.

→ Nakon faze hlađenja prikaz statusa svetli u plavoj boji i sečenje se nastavlja.

### Zaštita od pregrevanja

Ako ste stavili više materijala nego što je navedeno u tehničkim podacima, statusni prikaz svetli crveno i šreder počinje na 5 sekundi automatski hod unazad.

- 1 Izvucite materijal iz šredera.

→ Uklonili ste blokadu.

- Nakon što je materijal uklonjen iz šredera, jedinica za sečenje se naredne 3 sekunde dalje pokreće da bi se očistila. Sačekajte da se šreder ponovo zaustavi i da prikaz statusa svetli plavo.

### Podmazati jedinicu za sečenje

Jedinicu za sečenje podmazivati u pravilnim vremenskim razmacima, da bi ste produžili vek trajanja šredera.

Kod HP-a se mogu nabaviti specijalna ulja i voštani listovi za šredere.

#### Važno!

Materijalne štete usled upotrebe pogrešnih ulja! Ne upotrebljavati ulja za prskanje. Upotrebljavati isključivo specijalna ulja za šredere.

Imate različite mogućnosti za podmazivanje jedinice za sečenje.

#### Podmazivanje samostalno nauljanim papirom.

- 1 Na list papira nanosite specijalno ulje za šredere u više poprečnih linija.

- 2 U mesto za uvlačenje stavite nauljani list papira.

→ Nauljani papir se uvlači i podmazuje jedinicu za sečenje.

#### Podmazivanje voštanim listovima

- 1 U mesto za uvlačenje stavite voštani list papira.

→ Nauljani papir se uvlači i podmazuje jedinicu za sečenje.

## Isprazniti posudu za prihvat

Nivo napunjenosti posude za prihvat mora se redovno proveravati kroz vizir i prazniti od nivoa napunjenosti oko 80 %. Tako sprečavate da se usitnjeni materijal zaglavljuje i da dovede do kvarova.

**1** Gurnite glavni prekidač u poziciju **OFF**.

**2** Izvucite prekidač iz utičnice.



### Oprez!

Opasnost od povreda usled oštih ivica jedinice za sečenje! Donja strana jedinice za sečenje sadrži oštre uglove. Jedinicu za sečenje hvatajte samo za ručice.

**3** Podignite nastavak jedinice za sečenje sa posude za prihvat.

**4** Ispraznite posudu za prihvat.



### Oprez!

Opasnost od povreda usled oštih ivica jedinice za sečenje! Donja strana jedinice za sečenje sadrži oštre uglove. Jedinicu za sečenje hvatajte samo za ručice.

**5** Postavite nastavak jedinice za sečenje na posudu za prihvat.

➔ Posuda za sakupljanje se zvučno fiksira.

## Ukloniti ostatke materijala

Ako Vaš šreder više ne usitnjava materijal, kao što ste očekivali, uklonite ostatke materijala iz jedinice za sečenje.

**1** Gurnite glavni prekidač u poziciju **REV**. Jedinica za sečenje radi unazad i oslobađa materijal koji je zaostao u jedinici za sečenje.

**2** Gurnite glavni prekidač u poziciju **OFF**.

**3** Izvucite prekidač iz utičnice.

**4** Podignite nastavak jedinice za sečenje sa posude za prihvat.



### Oprez!

Opasnost od povreda usled oštih ivica jedinice za sečenje! Budite posebno pažljivi kada uklanjate ostatke materijala.

**5** Pažljivo uklonite ostatke materijala odgovarajućim ostrim predmetom iz jedinice za sečenje.

**6** Postavite nastavak jedinice za sečenje na posudu za prihvat.

## Čišćenje šredera

Redovno čistite šreder .



### Oprez!



Opasnost od povređivanja usled mlaznog plamena. Pri primeni spreja pod vazдушnim pritiskom može doći do mlaznog plamena. Nikada ne koristite sprejeve pod vazдушnim pritiskom.

- 1 Gurnite glavni prekidač u poziciju **OFF**.
- 2 Izvucite prekidač iz utičnice.
- 3 Površinu kućišta čistite mekom, suvom i glatkom krpom. Ne upotrebljavati sprejeve pod vazдушnim pritiskom, sredstva za čišćenje i rastvarače.

## Tehnički podaci

Model	Dimenzije (mm)	Nivo bezbednosti prema DIN 66399-2	Veličina isečenih komada (debljina × širina, mm)	Maks. učinak sečenja (listovi / kreditne kartice)	Radna širina (mm)	Snabdevanje strujom	Kapacitet posude za prihvatanje (l)	Težina (kg)	Jačina zvuka (dB)	Trajni pogon (min) / vreme hlađenja (min)	Radna brzina (m/min)	Vrsta sečenja
One-Shred 8CC	Š: 320 D: 190 V: 416	P-4	5 × 18	8 / 1	220	220 - 240 V, 50 - 60 Hz, 1,2 A, 200 W	15	4,3	68	4 / 50	1,8	Usitnjavaње

## Zbrinjavanje

-  Simbol koji se nalazi pored označava da električne i elektronske uređaje na osnovu zakon-skih odredbi treba odlagati odvojeno od kućnog smeća. Zbrinjavanje je besplatno.
-  Odložite Vaš uređaj na mestima za sakupljanje Vašeg komunalnog preduzeća za odlaganje otpada. Materijal pakovanja odložite u skladu s lokalnim propisima.



## Napomene o skladištenju

Nakon upotrebe šreder se mora skladištiti na sigurnom mestu. Sledite sledeće napomene:

Skladištite šreder

- samo u originalnom pakovanju
- na suvom i čistom mestu
- samo u ohlađenom stanju

## Pitanja i servis


Poštovani kupče,

raduje nas što ste se odlučili za ovaj proizvod.

Ukoliko on ne funkcioniše kao što ste očekivali ili je defektan, obratite se prodavcu od koga se kupili ovaj proizvod.

## Izjava o konformnosti

Potvrđujemo usaglašenost u skladu sa DIN 66399-2 sa sigurnosnim nivoom koji je naveden u specifikaciji proizvoda.

 CE oznaka na uređaju potvrđuje usaglašenost.  
Izjavu o usaglašenosti možete na [www.hp.com/officeequipment](http://www.hp.com/officeequipment)

## Proizvođač

GO Europe GmbH  
Zum Kraftwerk 1  
D-45527 Hattingen  
Deutschland

## Läs bruksanvisningen



Läs igenom bruksanvisningen noga och beakta anvisningarna vid hanteringen av din dokumentförstörare. Spara bruksanvisningen för senare bruk.

## Ändamålsenlig användning

Din dokumentförstörare är lämplig för sönderdelning av papper, plastkort, gem och häftklamrar. Dokumentförstöraren är uteslutande avsedd för privat användning inomhus.

All annan användning är ej ändamålsenlig. Egenmäktiga förändringar eller ombyggnader är inte tillåtna och leder till att garantin slutar gälla.

## Beakta säkerhetsanvisningarna

Läs och beakta varningarna för att skydda dig och miljön.



### Varning!

Risk för personskador på grund av indragningsmekanismen. Lösa föremål kan fastna i indraget och leda till skador. Håll fingrar, hår, halsdukar, slipsar, smycken etc. borta från indraget.



### Varning!

Risk för personskador på grund av elektrisk stöt. En felaktig hantering av dokumentförstöraren kan leda till en elektrisk stöt. Egenmäktiga förändringar eller ombyggnader av dokumentförstöraren är inte tillåtna. Använd inte dokumentförstöraren med en skadad nätkabel. Stäng omedelbart av dokumentförstöraren vid skador eller felfunktion och dra ut nätstickkontakten.

Låt endast kvalificerad fackpersonal utföra reparationer. Placera dokumentförstöraren i närheten av ett lättillgängligt eluttag så att den snabbt kan skiljas från elförsörjningen i nödfall. Rör den aldrig med våta händer. Undvik all kontakt med vatten.



### Varning!

Risk för kvävning på grund av smådelar, förpackningsmaterial eller skyddsfolier. Barn kan förtära smådelar, förpackningsmaterial eller skyddsfolier. Håll barn borta från enheten och dess förpackning.



**Varning!**

Denna enhet kan användas av barn från åtta års ålder och av personer med begränsade fysiska, sensoriska eller mentala förmågor eller brist på erfarenhet och/eller kunskaper om de står under uppsikt eller instruerats i en säker användning av enheten och har förstått de risker detta innebär. Barn får inte leka med enheten. Rengöring och användarunderhåll får inte göras av barn utan uppsikt.

**Försiktigt!**

Risk för att snubbla på grund av felaktigt dragen nätkabel. Dra nätkabeln på ett sådant sätt att ingen kan snubbla över den. Se till att nätstickkontakten och nätkabeln inte skadas.

**Viktigt!**

Risk för materiella skador. Undvik inverkan från miljön i form av rök, damm, vibrationer, kemikalier, fukt, värme eller direkt solstrålning.

Använd endast dokumentförstöraren inomhus.

Beakta följande anvisningar så att din dokumentförstörare alltid fungerar på förväntat sätt.



Läs igenom bruksanvisningen innan idrifttagning.



Håll långt hår borta från dokumentförstöraren.



Håll löst sittande kläder, smycken eller andra lösa föremål borta från dokumentförstöraren.



Håll slipsar och halsdukar borta från dokumentförstöraren.



Allmän information om möjliga faror som kräver din speciella uppmärksamhet.



**Varning!** Risk för personskador på grund av automatiskt indrag! Indragningen startar automatiskt så snart material tillförs. Håll långt hår, slipsar, smycken, lösa delar till kläder och andra lösa föremål borta från dokumentförstöraren.



Stick aldrig in händerna i indraget.



Håll långt hår borta från dokumentförstöraren.



Spruta inga brännbara gaser i riktning mot dokumentförstöraren. Använd aldrig tryckluftssprayer.



För maximalt in 8 blad åt gången i indraget.



**Försiktigt!** Risk för personskador på grund av vasst skärverktyg!



För endast in plastkort vertikalt.

## Kontrollera förpackningsinnehållet

Kontrollera dokumentförstörarens förpackningsinnehåll innan du tar den i drift.

Om något skulle saknas eller vara skadat så får dokumentförstöraren inte tas i drift. Vänd dig i så fall till vår service.

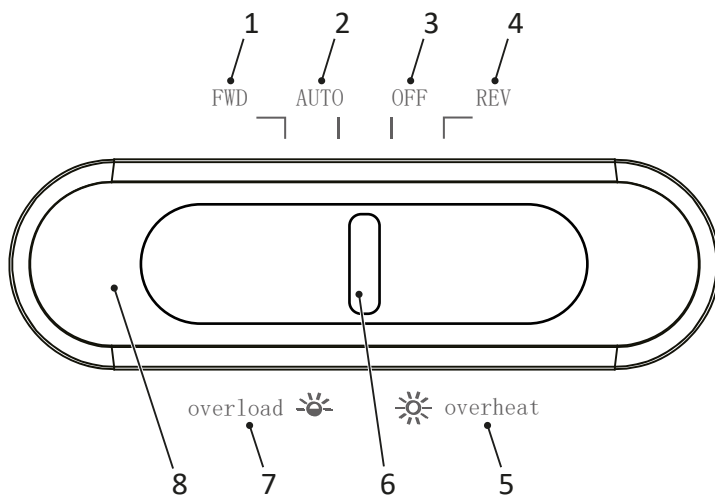
- Dokumentförstöraren OneShred 8CC med uppfångningsbehållare för skuret gods
- Bruksanvisning
- 1 blad oljepapper

## Dokumentförstöraren i detalj

Följande bild visar dokumentförstöraren i detalj.



1	Huvudströmbrytare	5	Handtag
2	Statusvisning	6	Synfönster
3	Indrag	7	Uppfångningsbehållare
4	Skärverkspåsat		



1	Manuell drift	5	Överhettning
2	Automatisk drift	6	Huvudströmbrytare
3	Enhet Av	7	Överbelastning
4	Backning	8	Statusvisning

## Ställa upp dokumentförstöraren och ta den i drift

Dokumentförstöraren fungerar bara med uppfångningsbehållaren. Placera inte dokumentförstöraren i närheten av värmekällor och håll ett avstånd på minst 10 cm från väggen. Så här kyls dokumentförstöraren tillräckligt.

- 1 Placera uppfångningsbehållaren stabilt på en jämn och vågrät yta och i närheten av dokumentförstöraren i närheten av ett lättillgängligt eluttag.
- 2 Sätt på skärverkspåsetsatsen på uppfångningsbehållaren. Skärverkspåsetsatsen hakar i hörbart. Om skärverkspåsetsatsen inte sitter korrekt på uppfångningsbehållaren så kan dokumentförstöraren inte startas.



### Försiktigt!

Risk för personskador på grund av vasst skärverktyg! Skärverkets undersida innehåller vasskantade hörn. Fatta endast tag i skärverket i handtagen.

- 3 Skjut huvudströmbrytaren till positionen **OFF** och anslut nätstickkontakten till uttaget.
- 4 Skjut huvudströmbrytaren till positionen **AUTO**.

➔ Du har tagit din dokumentförstörare i drift. Statusvisningen lyser blått.

## Hantering av dokumentförstörare

Din dokumentförstörare arbetar med en automatisk nedmalning. Dokumentförstöraren betjänas genom att skjuta huvudströmbrytaren fram och tillbaka.

### Mala ned material automatiskt

Beakta de maximalt tillåtna nedmalningsmängderna och andra specifikationer, som anges i de tekniska data.



#### Varning!

Risk för personskador på grund av automatiskt indrag! Indragningen startar automatiskt så snart material tillförs. Håll långt hår, slipsar, smycken, lösa delar till kläder och andra lösa föremål borta från dokumentförstöraren.

### Viktigt!

Materiella skador på grund av materialstockning! Beakta indragningens maximala malningsprestanda.

- 1 För in det material som skall sönderdelas centrerat i indraget.
  - Indraget drar in materialet och stoppar när inget material förs in mer.

### Mala ner material manuellt

I sällsynta fall identifierar inte sensorerna infört material.

- 1 Skjut huvudströmbrytaren till positionen **FWD**.
  - Materialet dras in manuellt och mals ner.
- 2 Skjut huvudströmbrytaren till positionen **OFF**.

### Stänga av dokumentförstöraren

Stäng av dokumentförstöraren när du inte längre behöver den.

- 1 Skjut huvudströmbrytaren till positionen **OFF**.
  - Du har stängt av dokumentförstöraren.
- 2 Om dokumentförstöraren inte används under längre tid så skall nätstickkontakten dras ut ur vägguttaget.

## Om något inte fungerar

Följande anvisningar hjälper dig när något inte fungerar på förväntat sätt.

### Överhettningsskydd

Dokumentförstöraren stänger av sig automatiskt vid överhettning. Statusvisningen lyser rött.

- 1 Vänta minst 50 minuter tills dokumentförstöraren har svalnat. Beakta minimiavståndet till väggen och uppgifterna om kontinuerlig drift i de tekniska data.

→ Efter avkylningsfasen lyser statusvisningen blått och sönderdelningen fortsätter.

### Överbelastningsskydd

Om du har matat in mer material än vad som anges i de tekniska data blinkar statusvisningen rött och dokumentförstöraren börjar backa automatiskt i 5 sekunder.

- 1 Dra ut materialet ur dokumentförstöraren.

→ Du har lossat blockeringen.

- Efter att materialet avlägsnats ur dokumentförstöraren fortsätter skärverket att röra sig i 3 sekunder för rengöring. Vänta tills dokumentförstöraren står stilla igen och statusvisningen lyser blått.

### Olja skärverket

Olja skärverket till dokumentförstöraren regelbundet för att förlänga dokumentförstörarens livslängd.

Det finns speciell olja och oljeblad för dokumentförstörare från HP.

### Viktigt!

Materiella skador vid användningen av felaktiga oljor! Använd inga sprutoljor. Använd endast specialolja för dokumentförstörare.

Du har olika möjligheter att olja skärverket.

#### Olja med egeninoljat papper:

- 1 Applicera specialolja för dokumentförstörare i form av flera diagonala linjer på ett pappersark.

- 2 För in det inoljade papperet i indraget.

→ Det oljefuktade bladet dras in och oljar skärverket.

#### Olja med oljepapper

- 1 För in oljebladet i indraget.

→ Det oljefuktade bladet dras in och oljar skärverket.

## Tömma uppfångningsbehållaren

Uppfångningsbehållarens nivå skall regelbundet kontrolleras genom kontrollfönstret och den skall tömmas när nivån är över 80%. På så sätt förhindrar du att nedmalet material stockar sig och att felfunktioner uppkommer.

- 1 Skjut huvudströmbrytaren till positionen **OFF**.
- 2 Dra ut nätstickkontakten ur vägguttaget.



### Försiktigt!

Risk för personskador på grund av vasst skärverktyg! Skärverkets undersida innehåller vasskantade hörn. Fatta endast tag i skärverket i handtagen.

- 3 Lyft av skärverkspåsatsen från uppfångningsbehållaren.
- 4 Töm uppfångningsbehållaren



### Försiktigt!

Risk för personskador på grund av vasst skärverktyg! Skärverkets undersida innehåller vasskantade hörn. Fatta endast tag i skärverket i handtagen.

- 5 Sätt på skärverkspåsatsen på uppfångningsbehållaren.
  - ➔ Uppfångningsbehållaren hakar i hörbart.

## Ta bort materialrester

Om dokumentförstöraren inte sönderdelar materialet på det förväntade sättet tar du bort fastnade materialrester ur skärverket.

- 1 Skjut huvudströmbrytaren till positionen **REV**. Skärverket backar och matar ut kvarvarande material i skärverket.
- 2 Skjut huvudströmbrytaren till positionen **OFF**.
- 3 Dra ut nätstickkontakten ur vägguttaget.
- 4 Lyft av skärverkspåsatsen från uppfångningsbehållaren.



### Försiktigt!

Risk för personskador på grund av vasst skärverktyg! Var speciellt försiktig vid borttagningen av materialrester.

- 5 Ta försiktigt bort materialrester ur skärverket med ett lämpligt vasst föremål.
- 6 Sätt på skärverkspåsatsen på uppfångningsbehållaren.

## Rengöring av dokumentförstöraren

Rengör dokumentförstöraren med jämna mellanrum.



### Försiktigt!


Risk för personskador på grund av plötsligt uppflammande låga. Vid användning av tryckluftssprayer kan det plötsligt flamma upp en låga. Använd aldrig tryckluftssprayer.

- 1 Skjut huvudströmbrytaren till positionen **OFF**.
- 2 Dra ut nätstickkontakten ur vägguttaget.
- 3 Rengör kåpans yta med en mjuk, torr och luddfri duk. Använd inga tryckluftssprayer, rengörings- eller lösningsmedel.

## Tekniska data

Modell	Mått (mm)	Säkerhetssteg enligt DIN 66399-2	Malningsgodsets storlek (tjocklek × bredd, mm)	max. malningsprestanda (blad/plastkort)	Arbetsbredd (mm)	Strömförsörjning	Volym uppfångningsbehållare (l)	Vikt (kg)	Ljudstyrka (dB)	Kontinuerlig drift (min)/avkylningsstid (min)	Matningshastighet (m/min)	Typ av malning
One Shred 8CC	B: 320 L: 190 H: 416	P-4	5 × 18	8/1	220	220-240 V, 50-60 Hz, 1,2 A, 200 W	15	4,3	68	4/ 50	1,8	Parti- kel- mal- ning

## Avfallshantering

 Den vidstående symbolen betyder att förbrukade elektriska och elektroniska apparaten på grund av lagstadgade bestämmelser inte får avfallshandteras som hushållsavfall. Avfallshandlingen är gratis. Avfallshandtera enheten på din kommunala återvinningsstation. Avfallshandtera förpackningsmaterial enligt de lokala föreskrifterna.



## Förvaringsanvisningar

Efter användningen skall dokumentförstöraren förvaras säkert. Beakta följande anvisningar:

Förvara dokumentförstöraren

- endast i originalförpackningen
- på ett torrt och rent ställe
- endast i svalt tillstånd

## Frågor och service


Bäste kund,

Tack för att du bestämt dig för denna produkt.

Om den inte skulle fungera så som du förväntade dig så vänder du dig till den återförsäljare där du köpte produkten.

## Försäkran om överensstämmelse

Vi bekräftar konformiteten enligt DIN 66399-2 med de säkerhetssteg, som anges i produktspecifikationerna.

 CE-märkningen bekräftar konformiteten.

Förklaringen om överensstämmelse finns under [www.hp.com/officeequipment](http://www.hp.com/officeequipment)

## Tillverkare

GO Europe GmbH  
Zum Kraftwerk 1  
D-45527 Hattingen  
Tyskland



## Kullanma kılavuzunu okuyunuz



Kullanma kılavuzunu okuyunuz ve evrak imha makinesini kullanırken mevcut bilgilere dikkate ediniz. Daha sonra kullanmak için kullanma kılavuzunu saklayınız.

## Amacına uygun kullanım

Evrak imha makineniz; kağıt, kredi kartları, ataşlar, zimbaları parçalamak için uygundur. Evrak imha makinesi, sadece kapalı mekanlarda kişisel kullanım için uygundur.

Bunun dışındaki her türlü kullanım şekli, amacına aykırı kullanım olarak kabul edilir. Kendi başına değişiklikler veya tadilatlar yapılmasına izin verilmez ve bu, garanti haklarının kaybedilmesine neden olur.

## Güvenlik uyarılarına dikkat ediniz

Kendinizi ve çevreyi korumak için uyarı bilgilerini okuyunuz ve dikkate alınız.



### Uyarı!

Doldurma mekanizması nedeniyle yaralanma tehlikesi. Gevşek nesnelere, doldurma ünitesinde sıkışabilir ve yaralanmalara neden olabilir. Parmaklarınızı, saçlarınızı, atkı, kravat, takı, vb. gibi nesnelere doldurma ünitesinden uzak tutunuz.



### Uyarı!

Elektrik çarpması nedeniyle yaralanma tehlikesi. Evrak imha makinesinin hatalı şekilde kullanılması, elektrik çarpmasına neden olabilir. Evrak imha makinesinde kendi başına değişiklikler veya tadilatlar yapılmasına izin verilmez. Elektrik kablosu hasarlıysa evrak imha makinesini çalıştırmayınız. Hasarlı olması veya düzgün çalışmaması durumunda evrak imha makinesini kapatınız ve elektrik fişini çekiniz.

Onarımları sadece kalifiye uzman personele yaptırınız. Evrak imha makinesinin acil durumda elektrik şebekesinden hızlı şekilde ayrılabilmesi için, evrak imha makinesini kolayca ulaşılabilen bir prizinin yakınına yerleştiriniz. Elleriniz ıslakken cihazı kesinlikle tutmayınız. Suyu her türlü temastan kaçınınız.



### Uyarı!

Küçük parçalar, ambalaj malzemeleri veya koruyucu folyolar nedeniyle boğulma tehlikesi. Çocuklar; küçük parçaları, ambalaj malzemelerini veya koruyucu folyoları yutabilir. Çocukları cihazdan ve ambalajından uzak tutunuz.



### Uyarı!

Bu cihaz, gözetim altında tutulmaları ya da cihazın güvenli şekilde kullanılması konusunda bilgilendirilmiş ve bu nedenle oluşan tehlikeleri anlamış olmaları durumunda sekiz yaşından büyük çocuklar ile sınırlı fiziksel, duyuşsal veya ruhsal becerilere sahip kişiler ya da deneyimi ve/veya bilgisi eksik kişiler tarafından kullanılabilir. Çocuklar cihazla oynamamalıdır. Çocuklar, cihazı gözetim altında olmadan temizlememeli ve bakıma tâbi tutmamalıdır.



### Dikkat!

Hatalı döşenen elektrik kablosu nedeniyle tökezlenme tehlikesi. Elektrik kablosunu hiç kimse tökezlenmeyecek şekilde döşeyiniz. Elektrik fişinde ve elektrik kablosunda hasarlar oluşmamasına dikkat ediniz.



### Önemli!

Maddi hasarlar oluşabilir. Örn. duman, toz, titreşim, kimyasal maddeler, nem, ısı veya direkt güneş ışınları gibi çevre etkilerini önleyiniz.

Evrak imha makinesini sadece kapalı mekanlarda kullanınız.

Evrak imha makinenizin her zaman beklediğiniz gibi çalışması için aşağıdaki uyarılara dikkat ediniz.



Cihazı devreye almadan önce kullanma kılavuzunu okuyunuz.



Uzun saçları, evrak imha makinesinden uzak tutunuz.



Giyisilerin, takıların gevşek parçalarını veya diğer gevşek nesnelere evrak imha makinesinden uzak tutunuz.



Kravatları ve atkıları, evrak imha makinesinden uzak tutunuz.



Özel dikkat gerektiren olası tehlikeler hakkında genel bilgi.



**Uyarı!** Otomatik doldurma ünitesi nedeniyle yaralanma tehlikesi! Doldurma ünitesi, malzeme beslenince otomatik olarak çalışmaya başlar. Uzun saçları, kravatları, gevşek giysi parçalarını ve diğer gevşek cisimleri evrak imha makinesinin doldurma ünitesinden uzak tutunuz.



Doldurma ünitesine kesinlikle elinizi sokmayınız.



Çocukları ve ev hayvanlarını, evrak imha makinesinden uzak tutunuz.



Evrak imha makinesine doğru yanıcı gazlar püskürtmeyiniz. Basıncı hava spreyleyini kesinlikle kullanmayınız.



Doldurma ünitesine aynı anda en fazla 8 yaprak sokunuz.



**Dikkat!** Keskin kenarlı kesme düzeneği nedeniyle yaralanma tehlikesi!



Kredi kartlarını sadece dik olarak içeri sokunuz.

## Ambalaj içeriğinin kontrol edilmesi

Evrak imha makinesini çalıştırmadan önce evrak imha makinesinin ambalaj içeriğini kontrol ediniz.

Eksiklik veya hasar durumunda evrak imha makinesini kesinlikle çalıştırmayınız. Servis bölümümüze başvurunuz.

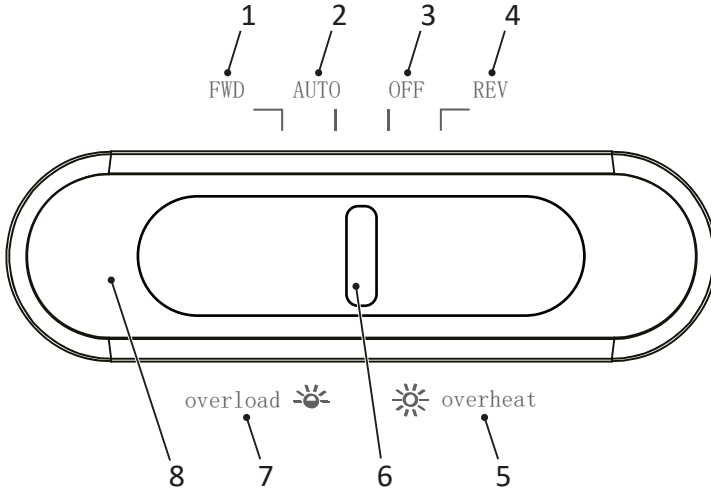
- Kesilen ürün atık kutulu OneShred 8CC evrak imha makinesi
- Kullanma kılavuzu
- 1 yaprak yağlı kağıt

## Evrak imha makinesinin ayrıntıları

Aşağıdaki şekil, evrak imha makinesinin ayrıntılarını göstermektedir.



1	Ana şalter	5	Tutamak
2	Durum göstergesi	6	Kontrol camı
3	Doldurma ünitesi	7	Atık kutusu
4	Kesme düzeneği adaptörü		



1	manüel çalışma	5	Aşırı ısınma
2	otomatik çalışma	6	Ana şalter
3	Cihaz Kapalı	7	Aşırı yüklenme
4	geriye doğru çalışma	8	Durum göstergesi

## Evrak imha makinesinin yerleştirilmesi ve çalıştırılması

Evrak imha makinesi, sadece atık kutusuyla birlikte çalışır. Evrak imha makinesini ısı kaynaklarının yakınına yerleştirmeyiniz ve duvara en az 10 cm'lik bir mesafe bırakınız. Bu sayede evrak imha makinesi yeterli düzeyde soğutulur.

- 1 Atık kutusunu, durma güvenliği sağlanmış şekilde düz, yatay bir yüzeye ve kolay ulaşılabilen bir prize yakınına yerleştiriniz.
- 2 Kesme düzeneği adaptörünü atık kutusunun üzerine oturtunuz. Kesme düzeneği adaptörü duyulur şekilde yerine oturur. Kesme düzeneği adaptörü atık kutusunun üzerine doğru şekilde oturmazsa, evrak imha makinesi çalıştıramaz.



### Dikkat!

Keskin kenarlı kesme düzeneği nedeniyle yaralanma tehlikesi! Kesme düzeneğinin alt kenarı keskin kenarlı köşeler içerir. Kesme düzeneğini sadece tutamaklarından tutunuz.

- 3 Ana şalteri **OFF** (KAPALI) konumuna itiniz ve elektrik fişini prize takınız.
- 4 Ana şalteri **AUTO** (OTOMATİK) konumuna itiniz.
  - ➔ Evrak imha makinesini devreye aldınız. Durum göstergesi mavi renkte yanar.

## Evrak imha makinesinin kullanılması

Evrak imha makinesi, otomatik bir parçalama sistemiyle çalışır. Evrak imha makinesi, ana şalter kaydırılarak kullanılır.

### Malzemenin otomatik olarak parçalanması

İzin verilen maksimum kesme kapasitesine ve teknik verilerde belirtilen diğer özelliklere dikkat ediniz.



#### Uyarı!

Otomatik doldurma ünitesi nedeniyle yaralanma tehlikesi! Doldurma ünitesi, malzeme beslenince otomatik olarak çalışmaya başlar. Uzun saçları, kravatları, gevşek giysi parçalarını ve diğer gevşek cisimleri evrak imha makinesinin doldurma ünitesinden uzak tutunuz.

### Önemli!

Malzeme birikmesi nedeniyle maddi hasar! Doldurma ünitesinin maksimum kesme kapasitesine dikkat ediniz.

**1** Parçalanacak malzemeyi doldurma ünitesinin ortasından içeri sokunuz.

→ Doldurma ünitesi malzemeyi içeri çeker ve başka malzeme içeri sokulmadığında durur.

### Malzemenin elle parçalanması

Nadir durumlarda, sensörler içeri sokulan malzemeyi algılamaz.

**1** Ana şalteri **FWD** (İLERİ) konumuna itiniz.

→ Malzeme elle doldurulur ve parçalanır.

**2** Ana şalteri **OFF** (KAPALI) konumuna itiniz.

### Evrak imha makinesinin kapatılması

Evrak imha makinesine artık ihtiyaç duymadığınızda evrak imha makinesini kapatınız.

**1** Ana şalteri **OFF** (KAPALI) konumuna itiniz.

→ Evrak imha makinesini kapattınız.

**2** Evrak imha makinesi uzun bir süre kullanılmayacaksa elektrik fişini prizden çekiniz.

## Bir şeyler çalışmazsa

Bir şeylerin beklediğiniz gibi çalışmaması durumunda aşağıdaki bilgiler size yardımcı olur.

### Aşırı ısınma koruması

Evrak imha makinesi, aşırı ısınma durumunda otomatik olarak kapanır. Durum göstergesi kırmızı renkte yanar.

**1** Evrak imha makinesi soğuyana kadar en az 50 dakika bekleyiniz. Duvarla aradaki asgari mesafeye ve sürekli çalışma hakkında teknik verilerde belirtilen bilgilere dikkat ediniz.

→ Soğuma aşamasından sonra durum göstergesi mavi renkte yanar ve parçalama işlemi devam ettirilir.

### Aşırı yüklenme koruması

Teknik verilerde belirtilenden farklı bir malzeme beslediyseniz, durum göstergesi kırmızı renkte yanıp söner ve evrak imha makinesi 5 saniye süreyle otomatik geri hareketi başlatır.

**1** Malzemeyi evrak imha makinesinden çekiniz.

→ Blokajı çözdünüz.

● Malzeme evrak imha makinesinden çıkartıldıktan sonra, kesme düzeneği, kendini temizlemek için 3 saniye süreyle çalışmaya devam eder. Evrak imha makinesinin durmasını ve durum göstergesinin mavi renkte yanmasını bekleyiniz.

### Kesme düzeneğinin yağlanması

Evrak imha makinesinin kullanım ömrünü uzatmak için evrak imha makinesinin kesme düzeneğini düzenli olarak yağlayınız.

Evrak imha makinesi için HP'den özel ve yağlı kağıtlar temin edilebilir.

**Önemli!** Yanlış yağların kullanılması nedeniyle maddi hasar! Püskürtme yağları kullanmayınız. Sadece evrak imha makinelerine özel yağ kullanınız.

Kesme düzeneğini farklı yöntemlerle yağlayabilirsiniz.

### Yağlanmış kağıtla yağlama:

**1** Evrak imha makinesine özel yağ birden çok enine çizgi şeklinde bir yaprak kağıda sürünüz.

**2** Yağlanmış kağıdı doldurma ünitesine sokunuz.

→ Yağlanmış kağıt içeri çekilir ve kesme düzeneğini yağlar.

### Yağlı kağıtlarla yağlama

**1** Yağlı kağıdı doldurma ünitesine sokunuz.

→ Yağlanmış kağıt içeri çekilir ve kesme düzeneğini yağlar.

## Atık kutusunun boşaltılması

Atık kutusunun doluluk seviyesi, kontrol camından düzenli olarak kontrol edilmeli ve yaklaşık % 80'lik bir doluluk seviyesinden itibaren boşaltılmalıdır. Bu sayede, parçalanmış malzemenin birikmesini ve hatalı fonksiyonlara neden olmasını önleyebilirsiniz.

- 1 Ana şalteri **OFF** (KAPALI) konumuna itiniz.
- 2 Elektrik fişini prizden çekiniz.



### Dikkat!

Keskin kenarlı kesme düzeneği nedeniyle yaralanma tehlikesi! Kesme düzeneğinin alt kenarı keskin kenarlı köşeler içerir. Kesme düzeneğini sadece tutamaklarından tutunuz.

- 3 Kesme düzeneği adaptörünü atık kutusundan kaldırınız.
- 4 Atık kutusunu boşaltınız.



### Dikkat!

Keskin kenarlı kesme düzeneği nedeniyle yaralanma tehlikesi! Kesme düzeneğinin alt kenarı keskin kenarlı köşeler içerir. Kesme düzeneğini sadece tutamaklarından tutunuz.

- 5 Kesme düzeneği adaptörünü atık kutusunun üzerine oturtunuz.  
→ Atık kutusu duyulur şekilde yerine oturur.

## Malzeme artıklarının temizlenmesi

Evrak imha makinesi malzemeyi beklediğiniz şekilde parçalamazsa, kalan malzeme artıklarını kesme düzeneğinden temizleyiniz.

- 1 Ana şalteri **REV** konumuna itiniz. Kesme düzeneği geriye doğru çalışır ve kesme düzeneğinde kalan malzemeyi serbest bırakır.
- 2 Ana şalteri **OFF** (KAPALI) konumuna itiniz.
- 3 Elektrik fişini prizden çekiniz.
- 4 Kesme düzeneği adaptörünü atık kutusundan kaldırınız.



### Dikkat!

Keskin kenarlı kesme düzeneği nedeniyle yaralanma tehlikesi! Malzeme artıklarını temizlerken çok dikkatli olunuz.

- 5 Kalan malzeme artıklarını, uygun bir sivri cisimle dikkatlice kesme düzeneğinden temizleyiniz.
- 6 Kesme düzeneği adaptörünü atık kutusunun üzerine oturtunuz.

## Evrak imha makinesinin temizlenmesi

Evrak imha makinesini düzenli olarak temizleyiniz.



### Dikkat!

Parlama nedeniyle yaralanma tehlikesi! Basınçlı hava spreyleyinin kullanılması durumunda parlama durumları oluşabilir. Basınçlı hava spreyleyini kesinlikle kullanmayınız.

- 1 Ana şalteri **OFF** (KAPALI) konumuna itiniz.
- 2 Elektrik fişini prizden çekiniz.
- 3 Gövde yüzeylerini yumuşak, kuru, havsız bir bezle temizleyiniz. Basınçlı hava spreyi, temizlik maddesi veya solvent kullanmayınız.

## Teknik veriler

Model	Boyutlar (mm)	DIN 66399-2 uyarınca güvenlik seviyesi	Kesilecek malzeme boyutu (Kalınlık × Genişlik, mm)	maks. kesme performansı (yaprak / kredi kartı)	Çalışma genişliği (mm)	Güç kaynağı	Atık kutusu kapasitesi (l)	Ağırlık (kg)	Ses şiddeti (dB)	Sürekli çalışma (dak) / Soğuma süresi (dak)	Çalışma hızı (m/dak)	Kesim şekli
One Shred 8CC	G: 320 U: 190 Y: 416	P-4	5 × 18	8 / 1	220	220 - 240 V, 50 - 60 Hz, 1,2 A, 200 W	15	4,3	68	4 / 50	1,8	Çapraz kesim

## Tasfiye



Yandaki sembol, elektrikli ve elektronik eski cihazları yasal düzenlemeler temelinde evsel atıklardan ayrı olarak tasfiye edilmesi gerektiği anlamına gelir. Tasfiye işlemi ücretsizdir.

Cihazınızı, belediye tasfiye yüklenicisinin toplama merkezinde tasfiye ediniz. Ambalaj malzemelerini yerel yönetmeliklere uygun şekilde tasfiye ediniz.





## Depolama bilgileri

Kullanımdan sonra evrak imha makinesi güvenli şekilde depolanmalıdır. Aşağıdaki uyarılara dikkat ediniz:

Evrak imha makinesini;

- sadece orijinal ambalajında
- kuru, temiz bir yerde
- sadece serin durumda depolayınız

## Sorular ve servis

Değerli müşterimiz,

Bu ürünü satın almaya karar verdiğiniz için çok teşekkür ederiz.

Cihazın beklediğiniz şekilde çalışmaması veya arızalı olması durumunda, bu ürünü satın aldığınız yetkili satıcıya başvurunuz.

## Uygunluk beyanı

İşbu beyanla, DIN 66399-2 uyarınca, ürün özelliklerinde belirtilen güvenlik kademelerine uygunluğu beyan ederiz.



Cihazın üzerindeki CE işareti, uygunluğu teyit eder.

Uygunluk beyanını, [www.hp.com/officeequipment](http://www.hp.com/officeequipment) adresinde bulabilirsiniz

## Üretici

GO Europe GmbH  
Zum Kraftwerk 1  
D-45527 Hattingen  
Almanya

## الأسئلة والخدمة

عزيزي العميل،

شكرًا لك على اختيارك لهذا المنتج

إذا لم يعمل المنتج بالشكل الذي تتوقعه أو إذا كان به عيب، فالرجاء الاتصال بالتاجر الذي اشتريته منه هذا المنتج.

## إعلان المطابقة

تؤكد المطابقة وفقًا للمعيار DIN ۲-۶۶۳۹۹ مع مستويات الأمان المدرجة في مواصفات المنتج.

تؤكد علامة CE على المطابقة مع المعايير الأوروبية.

ستجد إعلان المطابقة على الرابط [www.hp.com/officeequipment](http://www.hp.com/officeequipment)



## الجهة المُصنعة

شركة GO Europe ش.ذ.م.م.

۱ Zum Kraftwerk

۴۵۵۲۷-ID هاتينغن

ألمانيا

## المواصفات الفنية

الموديل	الأبعاد (مم)	فئة الصداية بحسب المعيار DIN ٦٦٣٩٩-٢	القطع الكبير (السمك × العرض، مم)	الحد الأقصى لقدرة القطع (الأوراق / بطاقة الاضمان)	عرض مساحة العمل (مم)	الإمداد بالطاقة	سعة وعاء تجميع (لتر)	الوزن (كجم)	شدة الصوت (ديسيبل)	مدة التشغيل (دقيقة) / مدة التبريد (دقيقة)	سرعة العمل (م/دقيقة)	نوع القطع
One Shred ACC	العرض: ٣٢٠ الطول: ١٩٠ الارتفاع: ٤١٦	٤-P	١٨ × ٥	١ / ٨	٢٢٠	٢٢٠ - ٢٤٠ فولط، ٥٠ - ٦٠ هرتز، ١,٢ أمبير، ٢٠٠ واط	١٥	٤,٣	٦٨	٤ / ٥٠	١,٨	قطع الجزيئات

## التخلص من النفايات

الرمز المتواجد على اليسار يعني أنه يجب التخلص من الأجهزة الكهربائية والإلكترونية القديمة بشكل منفصل عن النفايات المنزلية وفقاً للوائح القانونية السارية. التخلص من المنتج مجاني. التخلص من جهازك في مركز تجميع النفايات التابعة للهيئة البلدية للتخلص من النفايات. التخلص من مواد التعبئة وفقاً للوائح المحلية.



## تعليمات التخزين

بعد الاستخدام، يجب حفظ آلة تمزيق الورق بصورة آمنة. يُرجى مراعاة التعليمات التالية:

قم بتخزين آلة تمزيق الورق

- فقط في عبوتها الأصلية
- وفي مكانٍ جافٍ ونظيف
- وبعد أن تبرد فقط

## تفريغ وعاء التجميع

يجب فحص مستوى ماء وعاء التجميع بانتظام من خلال نافذة العرض وتفريغه عند وصوله لمستوى ملء يبلغ حوالي ٨٠٪. فذلك سيمنع المواد الممزقة من التراكم والتسبب في حدوث أعطال وظيفية.

1 حرك المفتاح الرئيسي إلى وضع إيقاف التشغيل OFF.

2 اسحب قابس الطاقة من المقبس.

⚠ احتس! خطر الإصابة من شفرات وحدة التقطيع ذات الحواف الحادة! يحتوي الجانب السفلي من مرفق وحدة التقطيع على زوايا حادة الحواف. لا تمسك مرفق وحدة التقطيع من إلا من المقابض.

3 ارفع مرفق وحدة التقطيع من وعاء التجميع.

4 قم بتفريغ وعاء التجميع.

⚠ احتس! خطر الإصابة من شفرات وحدة التقطيع ذات الحواف الحادة! يحتوي الجانب السفلي من مرفق وحدة التقطيع على زوايا حادة الحواف. لا تمسك مرفق وحدة التقطيع من إلا من المقابض.

5 ضع مرفق وحدة التقطيع على وعاء التجميع.

← يتم تعشيق وعاء التجميع بصوت مسموع.

## قم بإزالة المواد المتبقية

إذا لم تعد آلة تمزيق الورق قادرة على تمزيق المواد كما تتوقع، فقم بإزالة أي مواد متبقية في وحدة التقطيع.

1 حرك المفتاح الرئيسي إلى وضع REV. تعمل وحدة التقطيع بشكل عكسي وتحرر أي مواد متبقية في وحدة التقطيع.

2 حرك المفتاح الرئيسي إلى وضع إيقاف التشغيل OFF.

3 اسحب قابس الطاقة من المقبس.

4 ارفع مرفق وحدة التقطيع من وعاء التجميع.

⚠ احتس! خطر الإصابة من شفرات وحدة التقطيع ذات الحواف الحادة! توخى الحذر عند إزالة المواد المتبقية.

5 قم بإزالة أي مواد متبقية من وحدة التقطيع بجسم مدبب مناسب.

6 ضع مرفق وحدة التقطيع على وعاء التجميع.

## تنظيف آلة تمزيق الورق

قم بتنظيف آلة تمزيق الورق على فترات بينية منتظمة.

⚠ احتس! خطر الإصابة بسبب اللهب المتطاير! يمكن أن يتسبب استخدام رذاذ الهواء المضغوط في حدوث شرارات لهب. لا تستخدم رذاذ الهواء المضغوط.

1 حرك المفتاح الرئيسي إلى وضع إيقاف التشغيل OFF.

2 اسحب قابس الطاقة من المقبس.

3 نظف سطح المبيت بقطعة قماش ناعمة وجافة وخالية من الوبر. لا تستخدم رذاذ الهواء المضغوط، أو سوائل التنظيف أو المحاليل.

## الحماية من فرط التحميل

إذا قمت بإدخال مواد أكثر مما هو منصوص عليه في البيانات الفنية، فسيومض بيان الحالة باللون الأحمر وتبدأ آلة تمزيق الورق بالدوران العكسي التلقائي لمدة ٥ ثوانٍ.

1 انزع المواد من آلة تمزيق الورق.

← لقد قمت بحل الانسداد.

بعد إزالة المواد من آلة تمزيق الورق، ستستمر وحدة التقطيع في التحرك لمدة ٣ ثوانٍ لتنظيف نفسها. انتظر حتى تتوقف آلة تمزيق الورق ويضيء بيان الحالة باللون الأزرق.

## قم بتزيت وحدة التقطيع

قم بتزيت وحدة التقطيع في آلة تمزيق الورق على فترات منتظمة لإطالة العمر الافتراضي لآلة تمزيق الورق.

يتوفر زيت خاص وأوراق زيت من HP لآلة تمزيق الورق.

هام! أضرار مادية بسبب استخدام زيوت خاطئة! لا تستخدم زيوت متطايرة. لا تستخدم سوى الزيوت المخصصة لآلة تمزيق الورق.

لديك خيارات مختلفة لتزيت وحدة التقطيع.

التزيت بالورق ذاتي التزيت:

1 ضع زيتًا خاصًا لآلة تمزيق الورق على ورقة في عدة خطوط أفقية.

2 ضع الورقة التي تم تزييتها في وحدة السحب.

← يتم سحب الورقة المبللة بالزيت، ومن ثم تزييت وحدة التقطيع.

التزيت باستخدام أوراق الزيت

1 أدخل ورقة الزيت في وحدة السحب.

← يتم سحب الورقة المبللة بالزيت، ومن ثم تزييت وحدة التقطيع.

## استخدام آلة تمزيق الورق

تعمل آلة تمزيق الورق الخاصة بك باستخدام خاصية التمزيق التلقائي. يتم تشغيل آلة تمزيق المستندات عن طريق تحريك المفتاح الرئيسي.

### تمزيق المواد تلقائيًا

قم بمراعاة الحد الأقصى لأداء القطع المسموح به والمواصفات الأخرى الواردة في البيانات الفنية.

تحذير! خطر الإصابة من السحب التلقائي! يبدأ السحب تلقائيًا بمجرد التغذية بالمواد. ابقِ الشعر الطويل وربطات العنق والمجوهرات والملابس الفضفاضة والأشياء الفضفاضة الأخرى بعيدًا عن وحدة سحب آلة تمزيق الورق.



هام! أضرار مادية بسبب انحسار المواد! قم بمراعاة قدرة القطع القصوى لوحدة السحب.

1 قم بتغذية المادة المراد تقطيعها في منتصف وحدة السحب.

← وحدة السحب من شأنها أن تسحب المواد وتتوقف عند توقف التغذية بالمزيد من المواد.

### تمزيق المواد يدويًا

في بعض الحالات النادرة، تفشل المستشعرات في رصد المواد التي تم إدخالها.

1 حرك المفتاح الرئيسي إلى الوضع FWD.

← يتم سحب المواد وتقطيعها يدويًا.

2 حرك المفتاح الرئيسي إلى وضع إيقاف التشغيل OFF.

### قم بإيقاف تشغيل آلة تمزيق الورق

قم بإيقاف تشغيل آلة تمزيق الورق إذا لم تعد بحاجة إليها.

1 حرك المفتاح الرئيسي إلى وضع إيقاف التشغيل OFF.

← لقد قمت بإيقاف تشغيل آلة تمزيق الورق.

2 اسحب قابس الطاقة من المقبس إذا لم تستخدم آلة تمزيق الورق لفترة طويلة من الوقت.

## إذا كان أحد المكونات لا يعمل

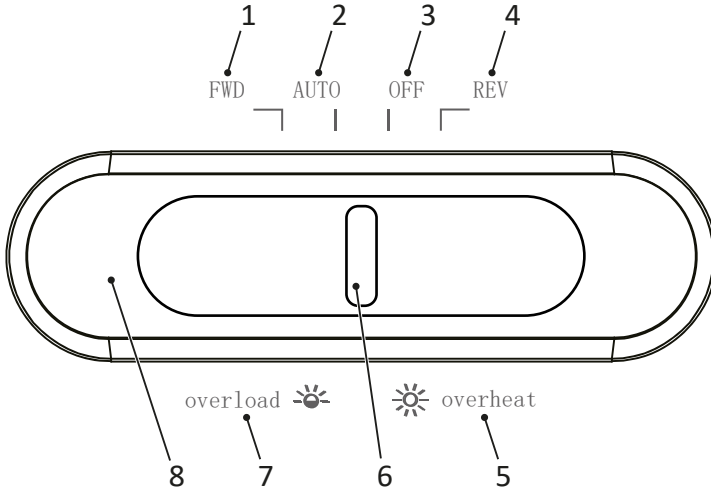
ستساعدك الإرشادات التالية إذا لم يعمل أحد المكونات بالشكل الذي تتوقعه.

### الحماية من فرط السخونة

تغلق آلة تمزيق الورق نفسها تلقائيًا في حالة ارتفاع درجة حرارتها. يضيء بيان الحالة باللون الأحمر.

1 انتظر 50 دقيقة على الأقل حتى تبرد آلة تمزيق الورق. برجاء مراعاة وجود مسافة بينية من الجدار، ومراعاة التعليمات الخاصة بمدة التشغيل الواردة في البيانات الفنية.

← بعد مرحلة التبريد، سيضيء بيان الحالة باللون الأزرق، وسيتم مواصلة عملية التمزيق.



1	التشغيل اليدوي	5	فرط التسخين
2	التشغيل التلقائي	6	المفتاح الرئيسي
3	إيقاف تشغيل الجهاز	7	فرط التحميل
4	التشغيل العكسي	8	بيان الحالة

### نصب آلة تمزيق الورق وتشغيلها

لا تعمل آلة تمزيق الورق إلا مع وعاء التجميع. لا تقم بنصب آلة تمزيق الورق بالقرب من مصادر الحرارة وابقها على بعد ١٠ سم على الأقل من الحائط. فذلك يضمن أن آلة تمزيق الورق مبردة بشكل مناسب.

**1** ضع وعاء التجميع في وضع ثابت على سطح أفقي مسطح وبالقرب من مقبس يسهل الوصول إليه.

**2** ضع مرفق وحدة التقطيع على وعاء التجميع. يتم تعشيق مرفق وحدة التقطيع بصوت مسموع. لا يمكن تشغيل آلة تمزيق الورق إذا لم يكن مرفق وحدة التقطيع مثبتاً بشكل صحيح على وعاء التجميع.

**⚠** احترس! خطر الإصابة من شفرات وحدة التقطيع ذات الحواف الحادة! يحتوي الجانب السفلي من مرفق وحدة التقطيع على زوايا حادة الحواف. لا تمسك مرفق وحدة التقطيع من إلا من المقابض.

**3** حرك المفتاح الرئيسي إلى وضع الإغلاق OFF وقم بتوصيل قابس التيار الكهربائي بالمقبس.

**4** حرك المفتاح الرئيسي إلى الوضع التلقائي AUTO.

← لقد بدأت تشغيل آلة تمزيق الورق الخاصة بك. يضيء بيان الحالة باللون الأزرق.

## أفحص محتوى العبوة

تحقق من محتويات العبوة المرسلة الخاصة بألة تمزيق الأوراق قبل استخدام آلة تمزيق الأوراق. إذا كان هناك شيء مفقود أو تالف، فلا نقم مطلقاً بتشغيل آلة تمزيق الورق. اتصل بالخدمة الخاصة بنا.

- آلة تمزيق الورق ACC OneShred مع حاوية تجميع للقصاصات
- دليل الاستعمال
- ورقة، ورقة تزييت

## آلة تمزيق الأوراق الخاصة بك بالتفصيل

يوضح الشكل التالي آلة تمزيق الورق بالتفصيل.



المقبض اليدوي	5	المفتاح الرئيسي	1
نافذة العرض	6	بيان الحالة	2
وعاء التجميع	7	السحب	3
		مرفق وحدة التقطيع	4



تحذير!

يمكن استخدام هذه الآلة من قبل الأطفال بدءاً من سن الثامنة والأشخاص ذوي القدرات الجسدية أو الحسية أو العقلية المحدودة أو الذين يفتقرون إلى الخبرة و/أو المعرفة إذا كانوا تحت إشراف من شخص بالغ، أو عندما يتلقوا تعليمات حول كيفية استخدام الجهاز بأمان لضمان فهم الأخطار ذات الصلة. لا يُسمح للأطفال باللعب بالجهاز. لا يُسمح بإجراء أعمال التنظيف والصيانة الخاصة بالمستخدم من قبل الأطفال دون الإشراف عليهم.



احترس!

خطر التعثر بسبب كابل الطاقة الممدد بشكل غير صحيح. قم بتمديد كابل الطاقة بطريقة لا تتسبب في تعثر أي شخص به. تأكد من عدم تلف قابس الطاقة وكابل الطاقة.



هام!

قد تتع أضرار مادية. تجنب التأثيرات البيئية مثل الدخان والغبار والاهتزازات والمواد الكيميائية والرطوبة والحرارة وأشعة الشمس المباشرة.



لا تستخدم آلة تمزيق الورق سوى في الغرف المغلقة.

يرجى ملاحظة الإرشادات التالية حتى تعمل آلة تمزيق الورق دائماً على النحو الذي تتوقعه.

لا تمد يدك أبداً بصورة مباشرة في مكان السحب.



الرجاء قراءة تعليمات التشغيل قبل بدء التشغيل.



أبقِ الأطفال والحيوانات الأليفة بعيداً عن آلة تمزيق الورق.



ابقِ الشعر الطويل بعيداً عن آلة تمزيق الورق.



لا ترش الغازات القابلة للاشتعال باتجاه آلة تمزيق الورق. لا تستخدم رذاذ الهواء المضغوط.



ابقِ الملابس أو المجوهرات الفضفاضة أو أي أشياء أخرى فضفاضة بعيداً عن آلة تمزيق الورق.



لا تقم بإدخال أكثر من ٨ ورقات في وحدة السحب في المرة الواحدة.



ابقِ ربطات العنق والأوشحة بعيداً عن آلة تمزيق الورق.



احترس! خطر الإصابة من شفرات وحدة التقطيع ذات الحواف الحادة!



معلومات عامة عن الأخطار المحتملة التي تتطلب إيلاء اهتماماً خاصاً.



لا تُدخل بطاقات الائتمان إلا عمودياً.



تحذير! خطر الإصابة من السحب التلقائي! يبدأ السحب تلقائياً بمجرد التغذية بالمواد. ابقِ الشعر الطويل وربطات العنق والمجوهرات والملابس الفضفاضة والأشياء الفضفاضة الأخرى بعيداً عن وحدة سحب آلة تمزيق الورق.



## اقرأ دليل الاستعمال

الرجاء قراءة دليل الاستعمال بعناية، ومراعاة كافة الإرشادات الواردة به عند التعامل مع آلة تمزيق الورق الخاصة بك. احفظ دليل الاستعمال هذا للاستخدامات اللاحقة.



## الاستخدام المطابق للتعليمات

آلة تمزيق الورق الخاصة بك مُخصصة لتمزيق الأوراق وبطاقات الائتمان ومشابك الأوراق والدبابيس. وجديرٌ بالذكر أن آلة تمزيق الأوراق مناسبة حصريًا للاستخدام الخاص وفي الغرف المغلقة.

ويعد أي استخدام آخر استخدامًا غير مطابقٍ للتعليمات. لا يُسمح بإجراء تغييرات أو تعديلات غير مصرح بها، ومثل هذه السلوكيات ستؤدي إلى فقدان الضمان.

## مراعاة تعليمات السلامة

برجاء قراءة ومراعاة التعليمات التحذيرية لحماية نفسك وحماية البيئة.

تحذير!

خطر الإصابة بسبب ميكانيكية السحب. يمكن أن تعلق الأشياء الفضفاضة في منطقة السحب ومن ثم تتسبب في وقوع إصابات. ابقِ أصابعك وشعرك والأوشحة وربطات العنق والمجوهرات وما إلى ذلك بعيدًا عن منطقة السحب.



تحذير!

خطر الإصابة بسبب الصدمة الكهربائية. قد يؤدي التعامل غير الصحيح مع آلة تمزيق الورق إلى وقوع صدمة كهربائية. لا يُسمح بإجراء تغييرات أو تعديلات غير مصرح بها على آلة تمزيق الورق. لا تقم بتشغيل آلة تمزيق الورق باستخدام كابل طاقة تالف. في حالة تلف آلة تمزيق الورق، أو إذا كانت لا تعمل بشكل صحيح، قم بإيقاف تشغيلها على الفور واسحب قابس الطاقة.



لا تُجري الإصلاحات إلا من قبل موظفين مؤهلين فحسب. قم بصبب آلة تمزيق الورق بالقرب من مقبس يسهل الوصول إليه بحيث يمكن فصل آلة تمزيق الورق بسرعة عن مصدر الطاقة في حالات الطوارئ. لا تلمس الآلة أبدًا بأيدي مبللة. تجنب أي تلامس مع المياه.

تحذير!

خطر الاختناق بسبب المكونات الصغيرة أو مواد التعبئة أو رقائق الحماية. يمكن للأطفال ابتلاع الأجزاء الصغيرة أو مواد التغليف أو رقائق الحماية. ابقِ الأطفال بعيدًا عن الآلة وعن العبوة.



## שאלות ושירות

לקוח יקר,

תודה רבה על הבחירה במוצר זה.

אם הוא פגום או אינו פועל כמצופה, פנה למשווק שממנו רכשת את המוצר.

## הצהרת תאימות

אנו מאשרים את התאימות לפי DIN 66399-2 לסיווגי הבטיחות המצוינים במפרט המוצר.

סימון ה-CE על המכשיר הוא אישור לתאימות.

ניתן למצוא את הצהרת התאימות בכתובת [www.hp.com/officeequipment](http://www.hp.com/officeequipment)

## היצרן

GO Europe GmbH  
 Zum Kraftwerk 1  
 D-45527 Hattingen  
 Deutschland

דגם	מידות (מ"מ)	סיווג בטיחות לפי 2-DIN 66399	גודל הפריטים לחיתוך (עובי × רוחב, מ"מ)	הספק חיתוך מרבי (דפים / כרטיסי אשראי)	רוחב פעולה (מ"מ)	אספקת השמל	נפח מכל החומרים הגרוסים (ל')	משקל (ק"ג)	רמת רעש (דציבל)	פעולה רציפה (דק') / משך קירור (דק')	מהירות פעולה (מ'/דק')	סוג חיתוך
One Shred 8CC	ר': 320 א': 190 ג': 416	P-4	18 × 5	1 / 8	220	240-220 וולט, 60-50 הרץ, 1.2 אמפר, 200 ואט	15	4,3	68	/ 4 50	1.8	חיתוך חלקיקים

## סילוק

המשמעות של סמל זה היא שבכפוף לתקנות החוק יש לסלק מכשירים חשמליים ואלקטרוניים ישנים בנפרד מהאשפה הביתית. הסילוק אינו כרוך בחיוב. יש להעביר את המכשיר לנקודת איסוף של הרשות האחראית המקומית. יש לסלק את חומרי האריזה בהתאם לתקנות המקומיות.



## הנחיות אחסון

לאחר השימוש, יש לאחסן את המגרסה בצורה בטוחה. הקפד לקיים את ההנחיות הבאות:

אחסן את המגרסה


- רק באריזה המקורית
- במקום יבש ונקי
- רק לאחר קירורה

## ריקון של מכל החומרים הגרוסים

יש לבדוק באופן שגרתי את מפלס המילוי של מכל החומרים הגרוסים דרך חלונת הביקורת, ולרוקן אותו החל ממפלס מילוי של כ-80%. באופן זה תמנע חסימה על ידי החומר הגרוס, שתוביל לכשל.


1 הזז את המפסק הראשי למצב OFF.

2 נתק את תקע החשמל משקע החשמל.

זהירות! סכנת פציעה עקב מנגנון חיתוך בעל שפה חדה! הצד התחתון של מנגנון החיתוך כולל שפות חדות. החזק את מנגנון החיתוך רק מהידיות. 

3 הרם את מכלל מנגנון החיתוך ממכל החומרים הגרוסים.

4 רוקן את מכל החומרים הגרוסים.

זהירות! סכנת פציעה עקב מנגנון חיתוך בעל שפה חדה! הצד התחתון של מנגנון החיתוך כולל שפות חדות. החזק את מנגנון החיתוך רק מהידיות. 

5 התקן את מכלל מנגנון החיתוך על מכל החומרים הגרוסים.

← מכל החומרים הגרוסים יינעל למקומו בנקישה.

## הסרת שאריות חומר

אם המגרסה מפסיקה לגרוס את החומר כמצופה, הסר את שאריות החומר הנותרות ממנגנון החיתוך.

1 הזז את המפסק הראשי למצב REV. מנגנון החיתוך יפעל בתנועה לאחור, והחומר שנותר ישתחרר.

2 הזז את המפסק הראשי למצב OFF.

3 נתק את תקע החשמל משקע החשמל.

4 הרם את מכלל מנגנון החיתוך ממכל החומרים הגרוסים.


זהירות! סכנת פציעה עקב מנגנון חיתוך בעל שפה חדה! נקוט זהירות מיוחדת במסגרת הסרת שאריות החומר. 

5 הסר בזהירות את שאריות החומר הנותרות ממנגנון החיתוך, בעזרת חפץ חד מתאים.

6 התקן את מכלל מנגנון החיתוך על מכל החומרים הגרוסים.

## ניקוי המגרסה

נקה את המגרסה במרווחי זמן קבועים.

זהירות! סכנת פציעה עקב להבה פתאומית! במקרה של שימוש בתרסיסי אוויר דחוס עלולות להיווצר להבות פתאומיות. אל תשתמש בשום אופן בתרסיסי אוויר דחוס. 

1 הזז את המפסק הראשי למצב OFF.

2 נתק את תקע החשמל משקע החשמל.

3 נקה את משטחי המארז במטלית רכה ויבשה ללא מוך. אל תשתמש בתרסיסי אוויר דחוס, בחומרי ניקוי או בממסים.

ההנחיות הבאות יעזרו לך כאשר משהו אינו פועל כמצופה.

הגנת חימום-יתר

המגרסה תכבה באופן אוטומטי במקרה של חימום-יתר. נורית הסטטוס תידלק באדום.

- 1 המתן לפחות 50 דקות, עד לקירור המגרסה. שים לב למרחק המינימלי מהקיר ולנתוני ההפעלה הרציפה במפרט הטכני.
- ← בסיום שלב הקירור, נורית הסטטוס תואר בכחול והגריסה תמשוך.

הגנת טעינת-יתר

אם תזין יותר חומר מהמצוין במפרט הטכני, נורית הסטטוס תהבהב באדום והפעולה לאחור תופעל במגרסה באופן אוטומטי למשך 5 שניות.

- 1 משוך את החומר החוצה מהמגרסה.

← טיפלת בחסימה.

● אחרי הסרת החומר מהמגרסה, מנגנון החיתוך ימשיך לפעול למשך 3 שניות לצורך ניקוי עצמי. המתן עד שהמגרסה תפסיק שוב לפעול, ונורית הסטטוס תואר בכחול.

שימון מנגנון החיתוך

שמן את מנגנון החיתוך של המגרסה במרווחי זמן קבועים, כדי להגדיל את אורך החיים של המגרסה.

ניתן להשיג שמנים דפי שינון ייעודיים למגרסות של HP.

חשוב! נזק לרכוש עקב שימוש בשמנים לא נכונים! אל תשתמש בתרסיסי שמן. השתמש רק בשמן מיוחד למגרסות.

קיימות דרכים שונות לשימוש במנגנון החיתוך.

שימון בעזרת דפים ששימנת בעצמך:

- 1 מרח על דף נייר מספר קווים רוחביים של שמן מיוחד למגרסות.

- 2 הזן למנגנון המשיכה את דף הנייר ששימנת.

← הדף ששימנת יימשך וישמן את מנגנון החיתוך.

שימון באמצעות דפי שימון

- 1 הזן למנגנון המשיכה את דף השימון.

← דף השימון יימשך וישמן את מנגנון החיתוך.

## שימוש במגרסה

המגרסה מבצעת גריסה אוטומטית. המגרסה מופעלת באמצעות הזזה של המפסק הראשי.

## גריסת חומר אוטומטית

שים לב להספק החיתוך המרבי המותר, ולנתונים הנוספים הנקובים במפרט הטכני.

אזהרה! סכנת פציעה עקב מנגנון המשיכה האוטומטי! מנגנון המשיכה מופעל באופן אוטומטי ברגע שמוזן חומר. הרחק ממנגנון המשיכה של המגרסה שיער ארוך, עניבות, תכשיטים, חלקי ביגוד משוחררים ועצמים חופשיים אחרים.



חשוב! נזק לרכוש עקב חסימה בחומר גרוס! שים לב להספק החיתוך המרבי של מנגנון המשיכה.

**1** הכנס את החומר המיועד לגריסה אל מרכז מנגנון המשיכה.

← מנגנון המשיכה ימשוך פנימה את החומר ויעצר כאשר הזנת החומר תיפסק.

## גריסת חומר ידנית

במקרים נדירים, החיישנים אינם מזהים את החומר המוזן.

**1** הזז את המפסק הראשי למצב FWD.

← החומר יימשך וייגרס באופן ידני.

**2** הזז את המפסק הראשי למצב OFF.

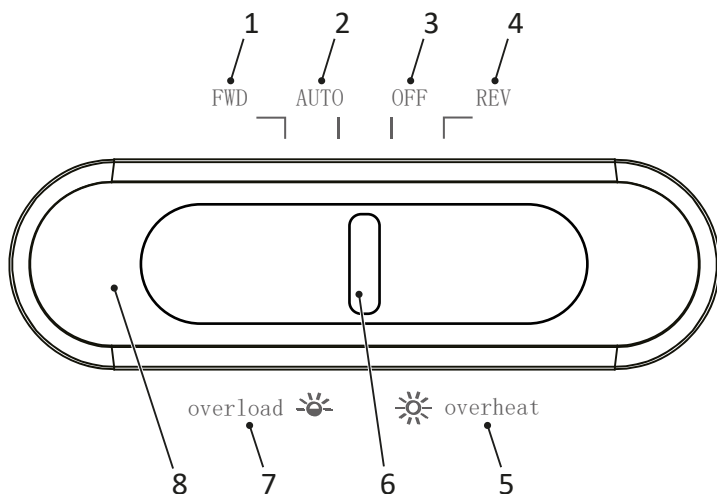
## כיבוי המגרסה

כבה את המגרסה כאשר אין יותר צורך בשימוש בה.

**1** הזז את המפסק הראשי למצב OFF.

← כיבית את המגרסה.

**2** נתק את תקע החשמל משקע החשמל כאשר אינך מתכנן להשתמש במגרסה לפרק-זמן ארוך.




1	הפעלה ידנית	5	חימום-יתר
2	הפעלה אוטומטית	6	מפסק ראשי
3	כיבוי המכשיר	7	טעינת-יתר
4	הפעלה לאחור	8	נורית סטטוס

### הצבת המגרסה והתחלת שימוש

המגרסה פועלת רק יחד עם מכל החומרים הגרוסים. אל תציב את המגרסה בקרבת מקורות חום, ושמור על מרחק של 10 ס"מ לפחות מהקיר. כך יושג קירור מספיק של המגרסה.

**1** הצב את מכל החומרים הגרוסים בצורה יציבה על משטח אופקי ומפולס, ליד שקע חשמל שניתן לגשת אליו בקלות.

**2** התקן את מכלל מנגנון החיתוך על מכל החומרים הגרוסים. מכלל מנגנון החיתוך יתחבר תוך השמעת צליל נקישה. כאשר מכלל מנגנון החיתוך אינו ממוקם כנדרש על מכל החומרים הגרוסים, אין אפשרות להפעיל את המגרסה.

זהירות! סכנת פציעה עקב מנגנון חיתוך בעל שפה חדה! הצד התחתון של מנגנון החיתוך כולל שפות חדות. החזק את מנגנון החיתוך רק מהידיות. 

**3** הזז את המפסק הראשי למצב OFF וחבר את תקע החשמל לשקע החשמל.

**4** הזז את המפסק הראשי למצב AUTO.

← הכנסת את המגרסה לפעולה. נורית הסטטוס תואר בכחול.



## פירוט חלקי המגרסה

באיור הבא מוצג פירוט של חלקי המגרסה.



מפסק ראשי	1	ידית	5
נורית סטטוס	2	חלונית ביקורת	6
מנגנון משיכה	3	מכל חומרים גרוסים	7
מכלל מנגנון החיתוך	4		

הקפד לקיים את ההנחיות הבאות, כדי שהמגרסה תפעל תמיד כמצופה.

<p>אסור בשום אופן להכניס יד ישירות לתוך מנגנון המשיכה.</p>		<p>קרא עד הסוף את הוראות ההפעלה לפני התחלת השימוש.</p>	
<p>אל תאפשר לילדים וחיות מחמד להתקרב למגרסה.</p>		<p>אל תקרב את השיער למגרסה.</p>	
<p>אל תרסס גזים בעירים בכיוון המגרסה. אל תשתמש בשום אופן בתרסיסי אוויר דחוס.</p>		<p>הרחק מהמגרסה חלקי ביגוד משוחררים, תכשיטים או עצמים חופשיים אחרים.</p>	
<p>הכנס למנגנון המשיכה 8 דפים לכל היותר בו-זמנית.</p>		<p>הרחק מהמגרסה עניבות וצעפים.</p>	
<p>זהירות! סכנת פציעה עקב מנגנון חיתוך בעל שפה חדה!</p>		<p>הנחיה כללית לגבי סכנות אפשריות המצריכות תשומת לב מיוחדת.</p>	
<p>הכנס כרטיסי אשראי רק במאונך.</p>		<p>אזהרה! סכנת פציעה עקב מנגנון המשיכה האוטומטי! מנגנון המשיכה מופעל באופן אוטומטי ברגע שמוזן חומה. הרחק ממנגנון המשיכה של המגרסה שיער ארוך, עניבות, תכשיטים, חלקי ביגוד משוחררים ועצמים חופשיים אחרים.</p>	

## בדיקת תכולת האריזה

בדוק את תכולת האריזה של המגרסה לפני התחלת השימוש בה.

במקרה של חוסר או נזק, אסור בשום אופן להתחיל להשתמש במגרסה. פנה לשירות שלנו.

- המגרסה OneShred 8CC, כולל מכל חומרים גרוסים
- הוראות ההפעלה
- דף שימון

## קרא את הוראות ההפעלה

קרא את הוראות ההפעלה בעיון עד הסוף, ושים לב להנחיות במגרת השימוש במגרסה. שמור את הוראות ההפעלה למקרה שתצטרך להשתמש בהן בעתיד.



## שימוש בהתאם לייעוד

המגרסה מתאימה לגריסה של נייר, כרטיסי אשראי, אטבים משרדיים וסיכות מהדק. המגרסה מתאימה רק לשימוש פרטי בחללים סגורים.

כל שימוש אחר נחשב כשימוש המנוגד לייעוד. אסור לבצע שינויים או הסבות ללא אישור, והם יוביל לאובדן האחריות.

## יש להישמע להנחיות הבטיחות

קרא את האזהרות והישמע להן כדי להגן על עצמך ועל הסביבה.

אזהרה!

סכנת פציעה עקב מנגנון משיכת הנייר. עצמים חופשיים עשויים להילכד במנגנון המשיכה ולגרום לפציעות. הרחק מנגנון המשיכה אצבעות, שיער, צעיפים, עניבות, תכשיטים וכו'.



אזהרה!

סכנת פציעה עקב התחשמלות. שימוש לקוי במגרסה עלול לגרום להתחשמלות. אסור לבצע במגרסה שינויים או הסבות ללא אישור. אל תשתמש בכבל ניזוק לצורך הפעלת המגרסה. כבה מיד את המגרסה במקרה של נזקים או תפקוד לקוי, ונתק את תקע החשמל.



הקפד על ביצוע תיקונים רק בידי אנשי מקצוע מוסמכים. הצב את המגרסה ליד שקע חשמל שניתן לגשת אליו בקלות, כדי לאפשר את ניתוק המגרסה מרשת החשמל במקרה חירום. אסור בשום אופן לגעת במכשיר בידיים רטובות. יש להימנע מכל מגע עם מים.

אזהרה!

סכנת חנק כתוצאה מחלקים קטנים, חומרי אריזה או רדידי הגנה. ילדים עלולים לבלוע חלקים קטנים, חומרי אריזה או רדידי הגנה. יש למנוע מילדים מלהתקרב למכשיר ולאריזה שלו.



אזהרה!

לילדים בני שמונה ומעלה, לאנשים בעלי יכולות פיזיות, חושיות או מנטליות מוגבלות ולאנשים חסרי ניסיון ו/או ידע מותר להשתמש במכשיר אם הם נמצאים תחת השגחה או לאחר שהם הודרכו לגבי השימוש בטוח במכשיר והבינו את הסכנות הכרוכות בו. אסור לילדים לשחק עם המכשיר. לילדים אסור לנקות את המכשיר או לבצע את תחזוקת המשתמש שלו ללא השגחה.



זהירות!

סכנת מעידה במקרה של ניתוב בלתי-הולם של כבל החשמל. העבר את כבל החשמל באופן שימנע את הסיכון למעידה עליו. מנע את האפשרות לפגיעה בתקע החשמל ובכבל החשמל.



חשוב!

סיכוי לנזק לרכוש. מנע השפעות סביבתיות כגון עשן, אבק, רעידות, חומרים כימיים, לחות, חום או אור שמש ישיר. השתמש במגרסה רק בחללים סגורים.



All your office needs under one brand



HP is a trademark of HP Inc. or its affiliates, used by GO Europe GmbH under license from HP Inc.

GO Europe GmbH

Zum Kraftwerk 1, 45527 Hattingen (Germany)

[www.hp.com/officeequipment](http://www.hp.com/officeequipment)



The company reserves the right to change the content of this manual, and subsequent changes to the product without prior notice. We are not responsible for any direct, indirect, intentional or unintentional damage and hidden dangers caused by installation, misuse or use beyond the specifications provided by the manufacturer. Before placing your order, please check with the dealer to see if the product performance meets your needs. HP is a registered trademark of HP Inc. The ownership of other trademarks involved in this manual is owned by the corresponding product manufacturer. ©2020 All rights reserved. Unauthorized reproduction is not allowed in any way.

