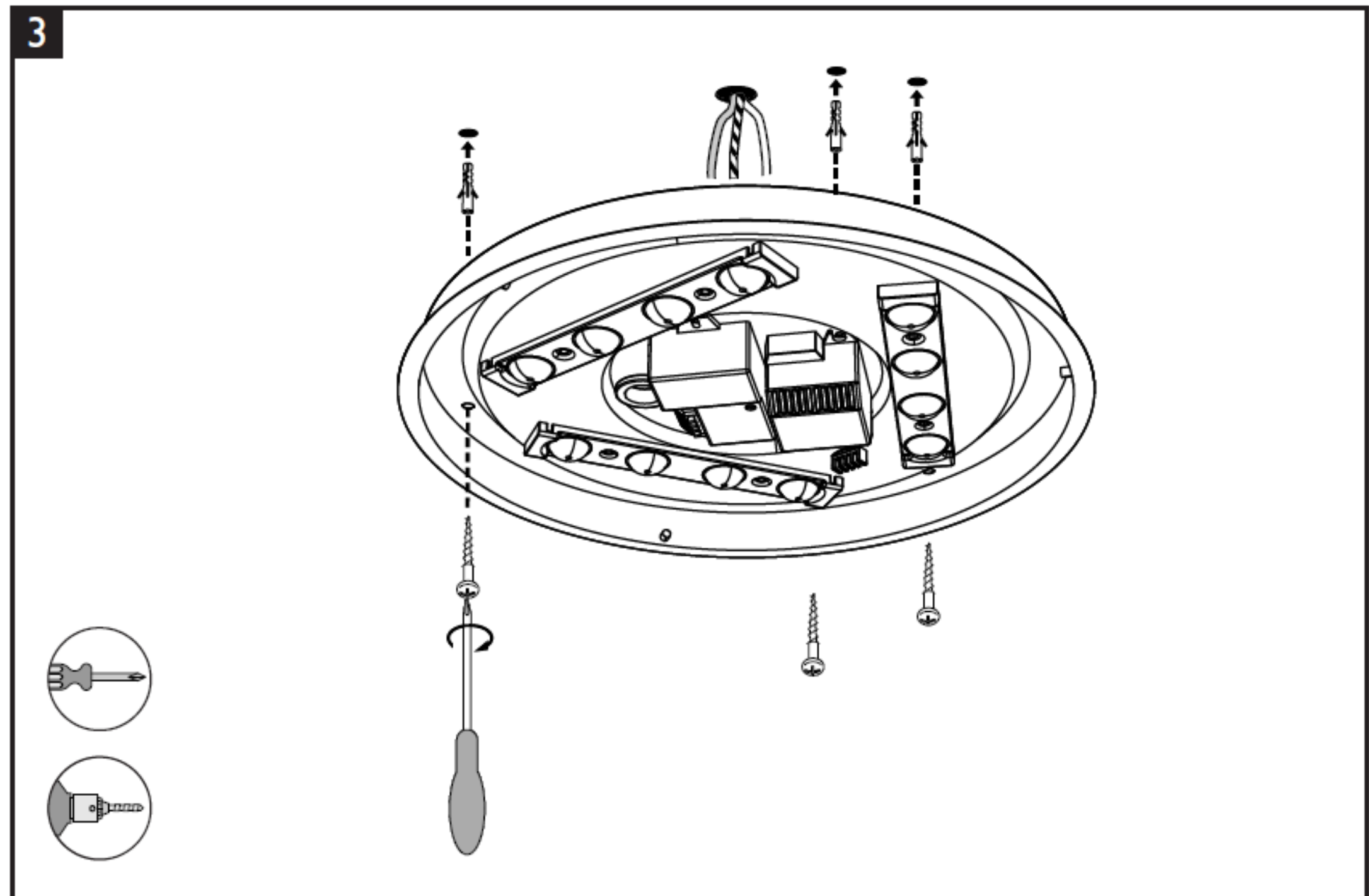
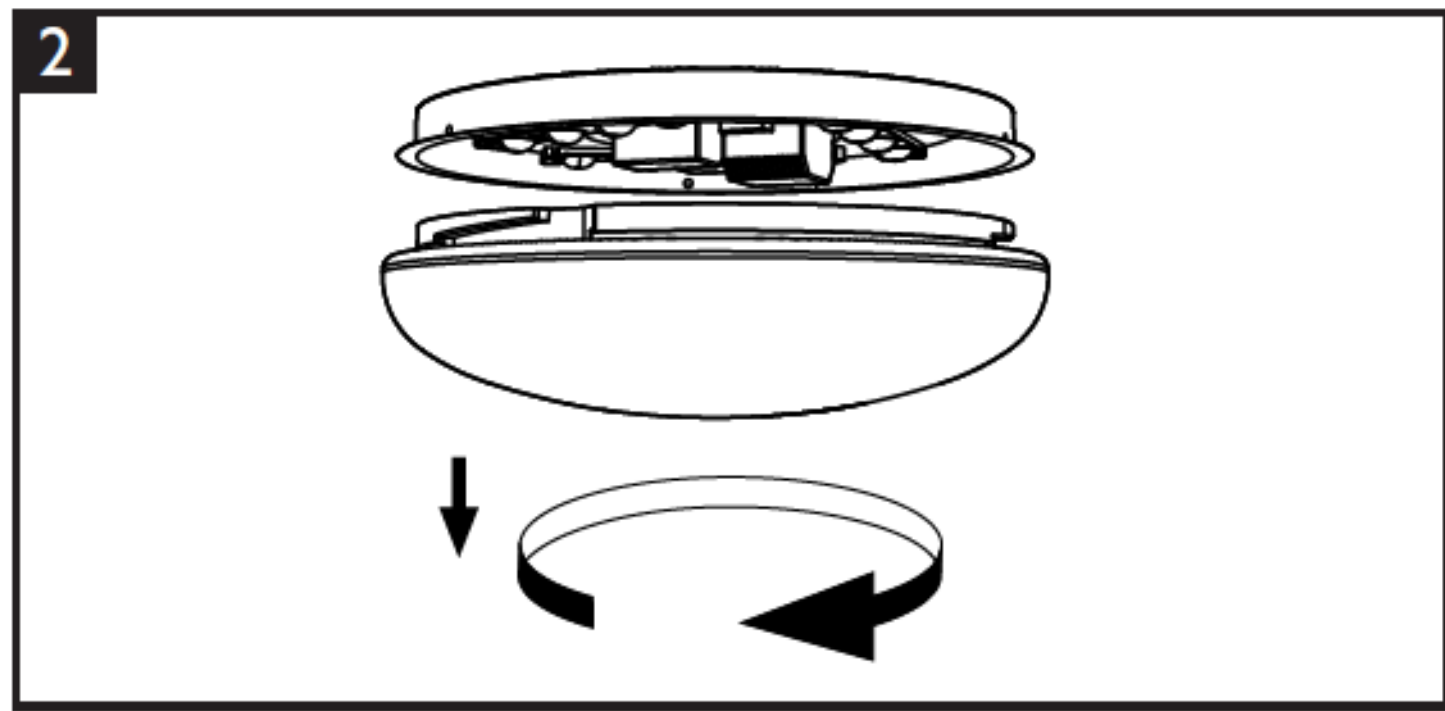
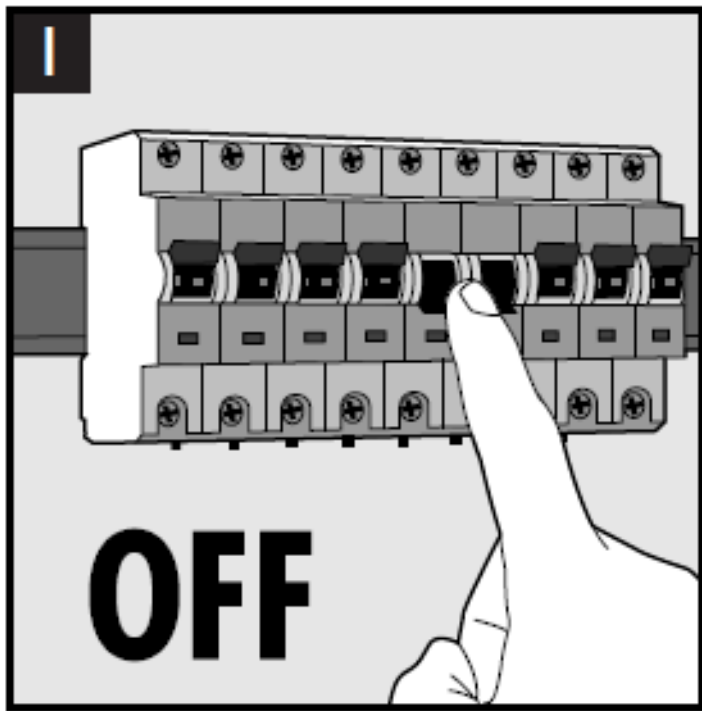


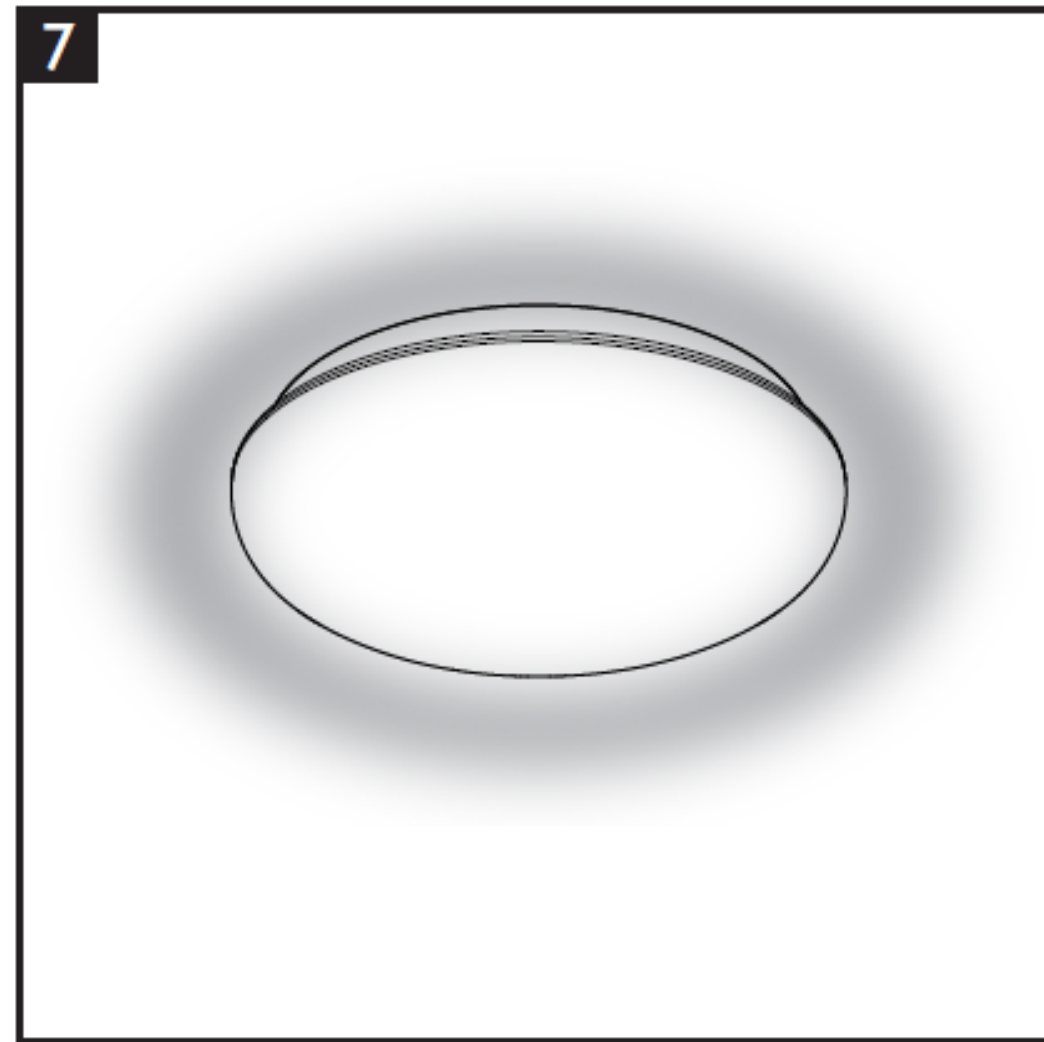
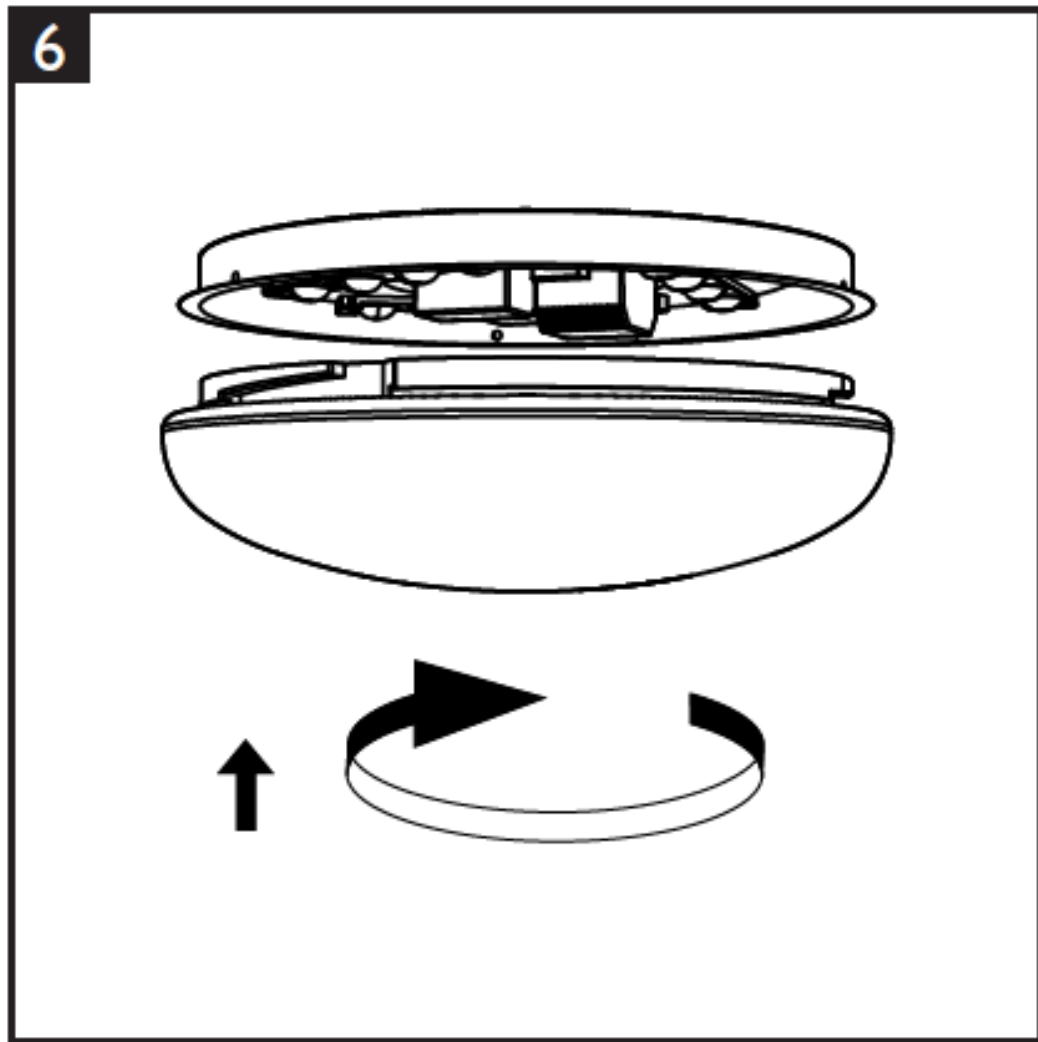
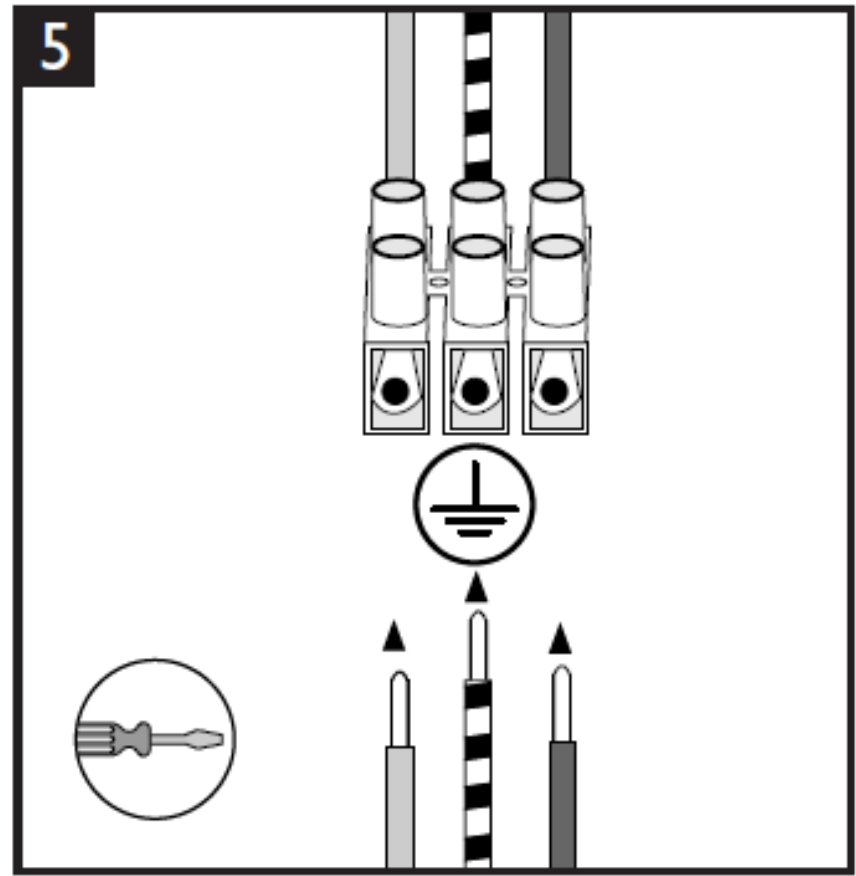
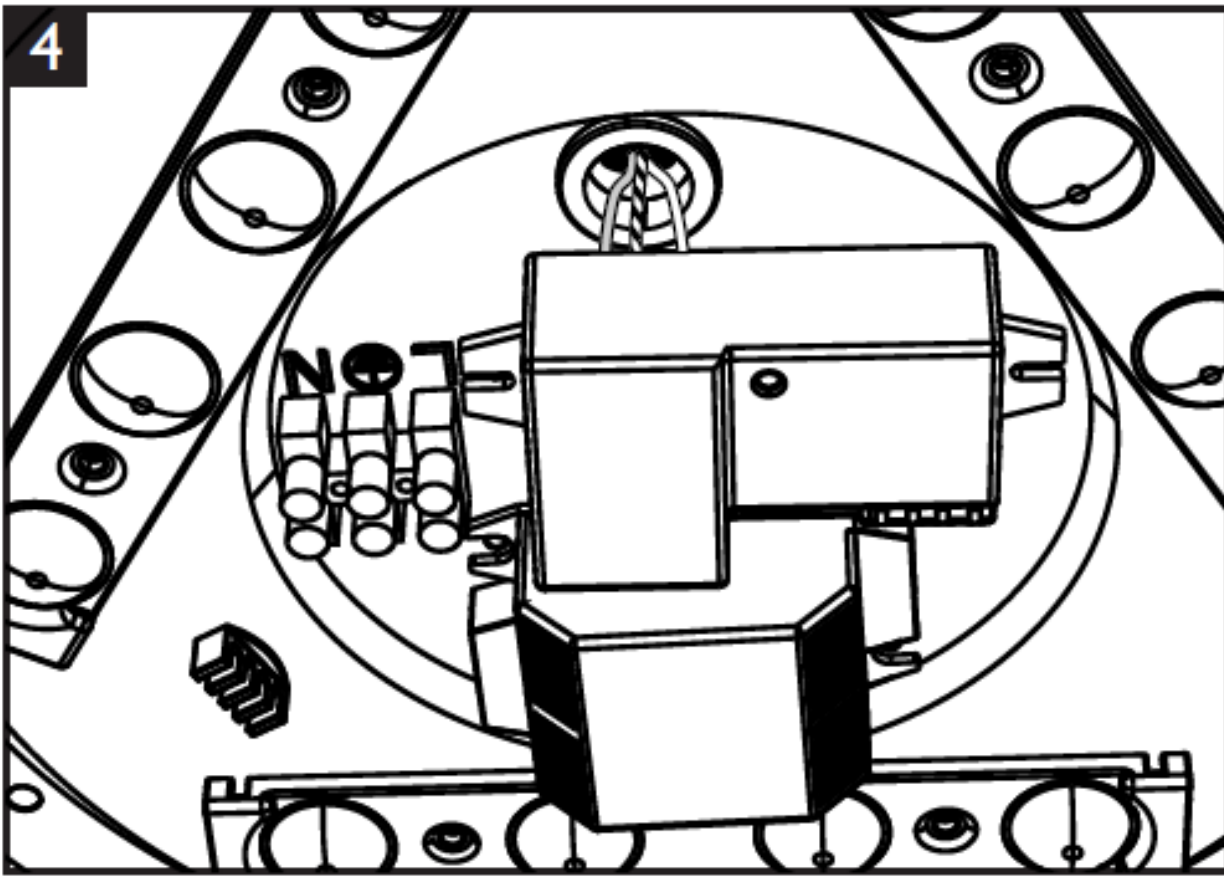


PHILIPS

			B		

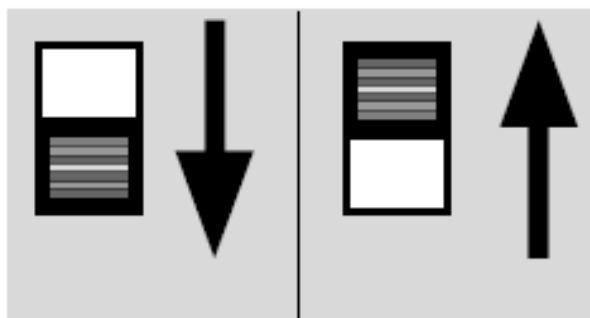


PHILIPS

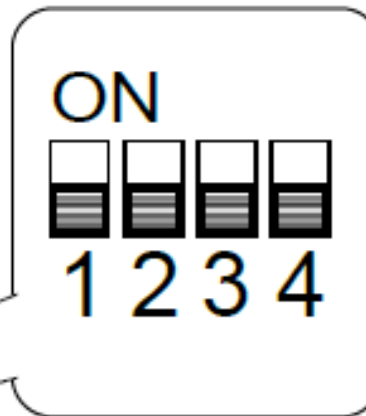
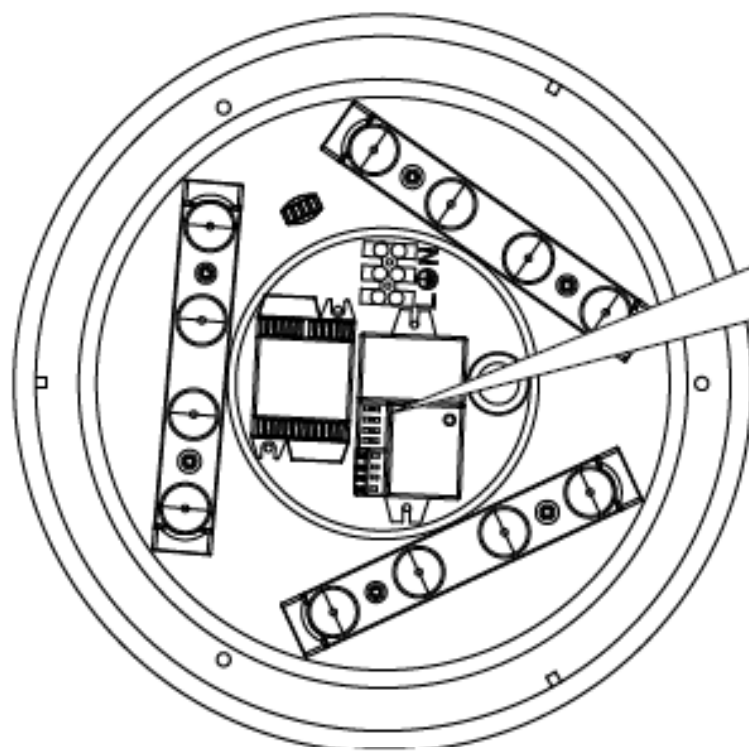
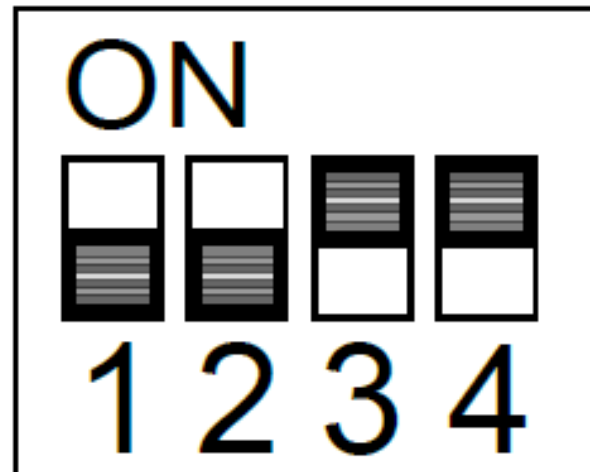


PHILIPS

DIP switch setting



Default Setting



1	Detection area	2	3	Hold Time	4	Daylight Sensor
	100%			5s		ENABLE
	50%			1min		DISABLE
				3min		
				10min		

Detection area (default 50%)
 Detection area can be increased by selecting 100% on the DIP switches to fit precisely each application.

Daylight sensor (default enable mode)
 The sensor can be set to only allow the lamp to illuminate below a defined ambient brightness threshold (25lux). When set to disable mode, the daylight sensor will switch on the lamp when motion detected regardless of ambient light.

Hold time (default 3 min.)
 Refers to the time period the lamp remains at 100% illumination after no motion detected.

PHILIPS

