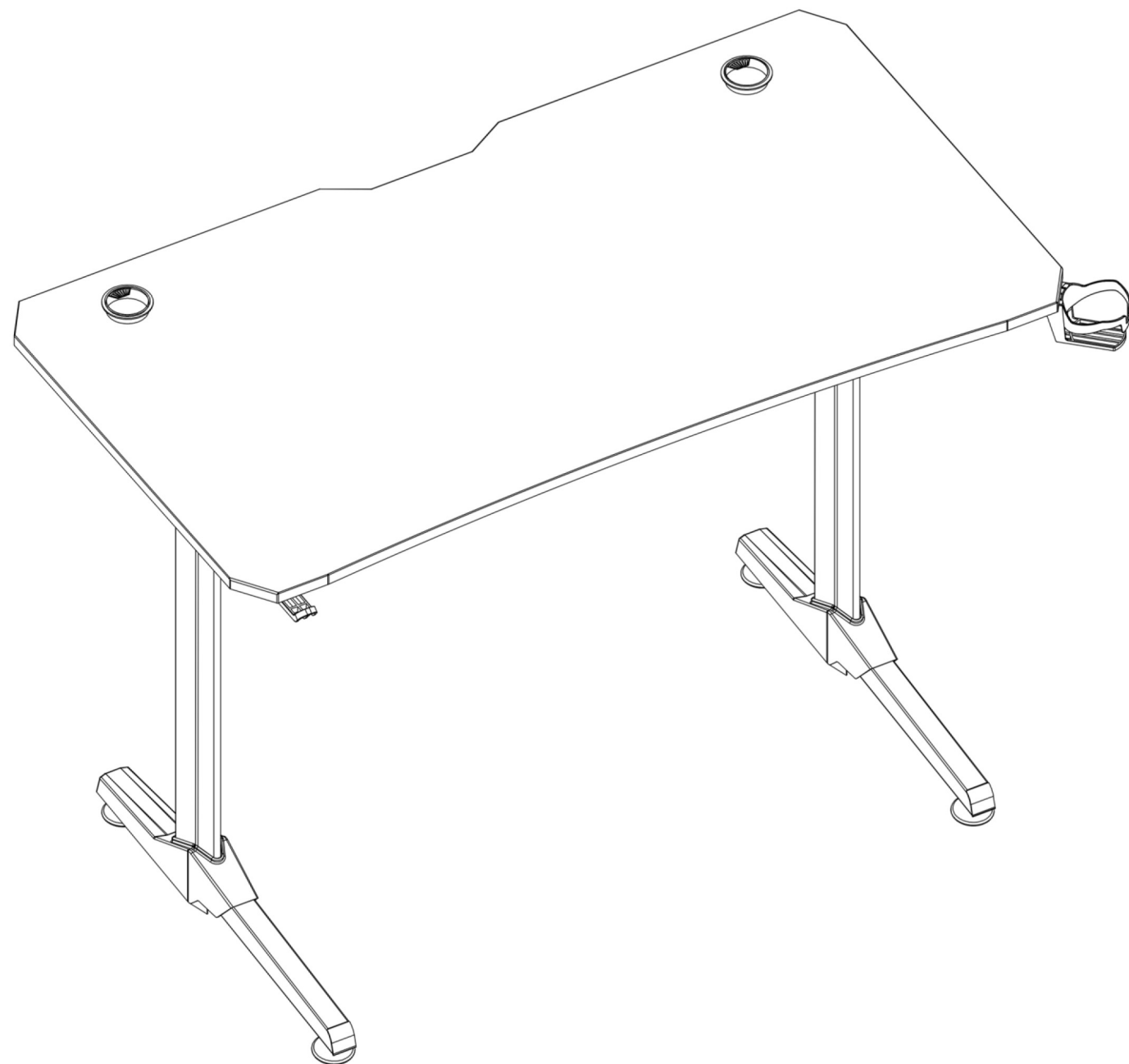


GAMING DESK

Assembly instruction

40150 SW3



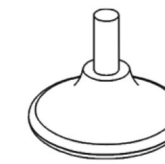
S1 x10
(M10*20)



S2 x2
(M8*16)



S3 x24
(M4*14)



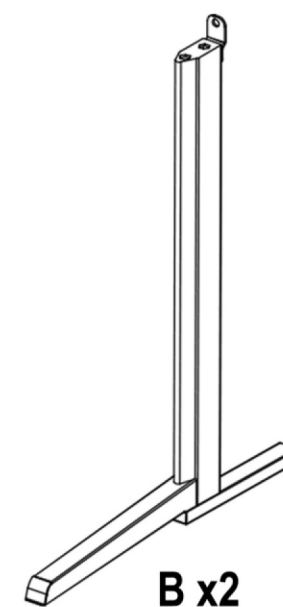
S4 x4



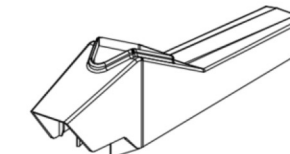
S5 x2



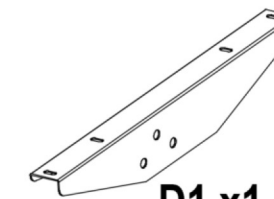
S6 x1



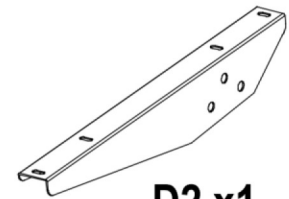
B x2



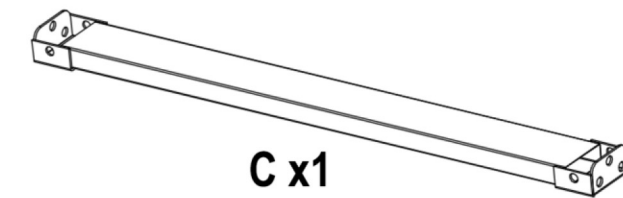
A x2



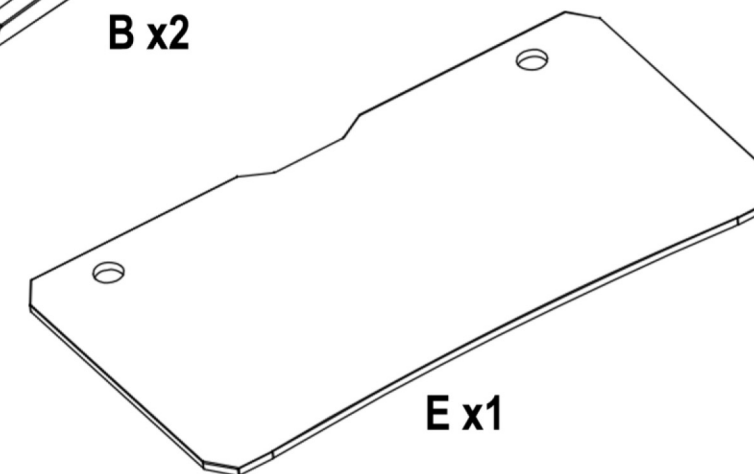
D1 x1



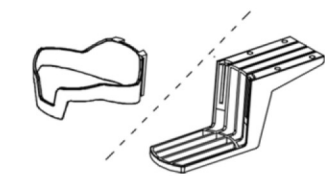
D2 x1



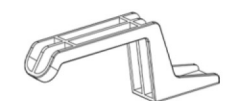
C x1



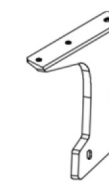
E x1



F x1



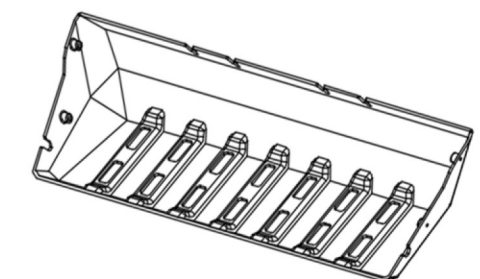
G x1



H1 x1

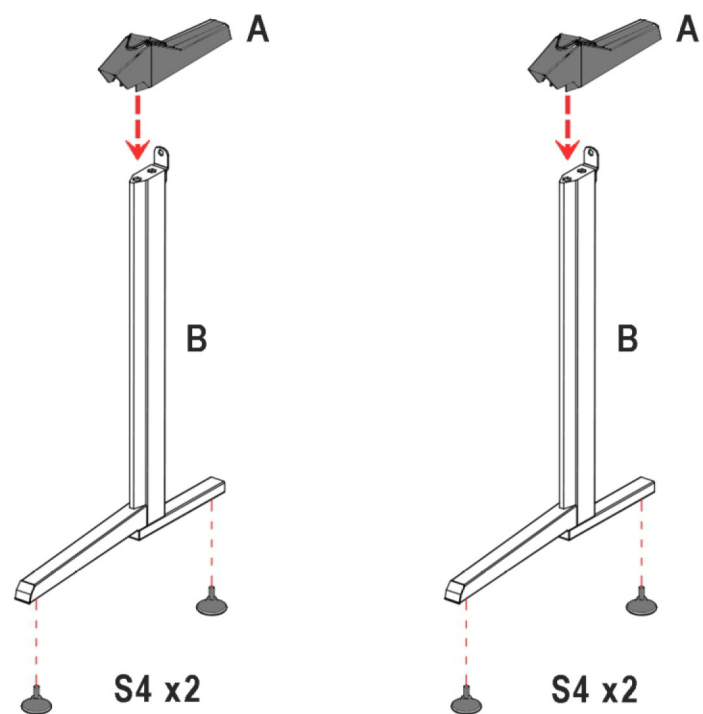


H2 x1

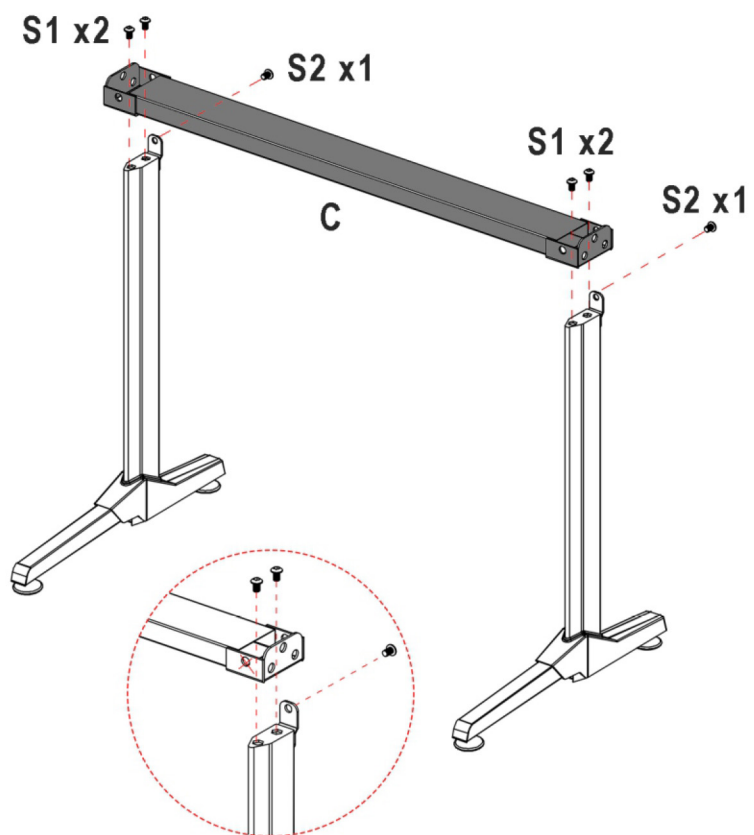


I x1

1

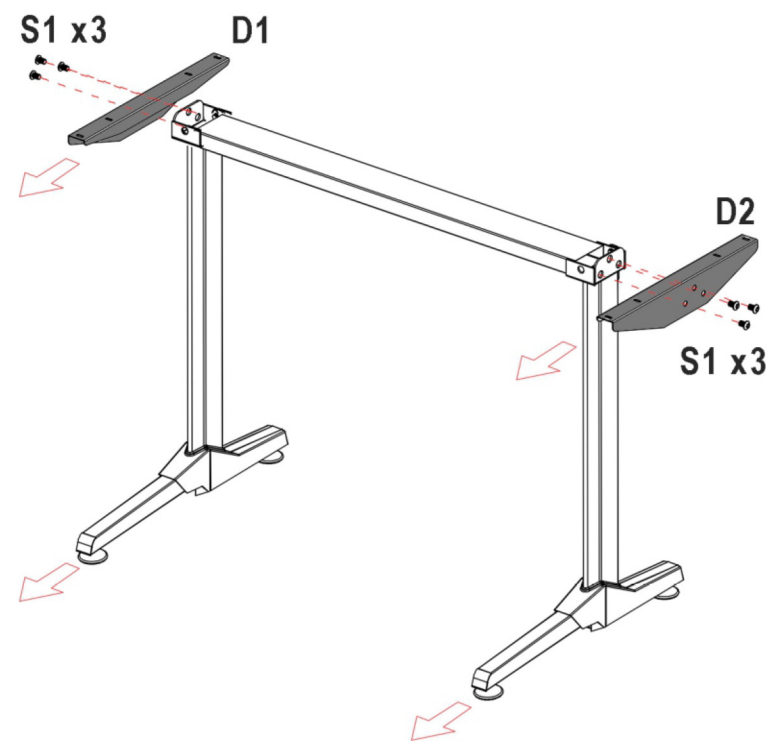


2

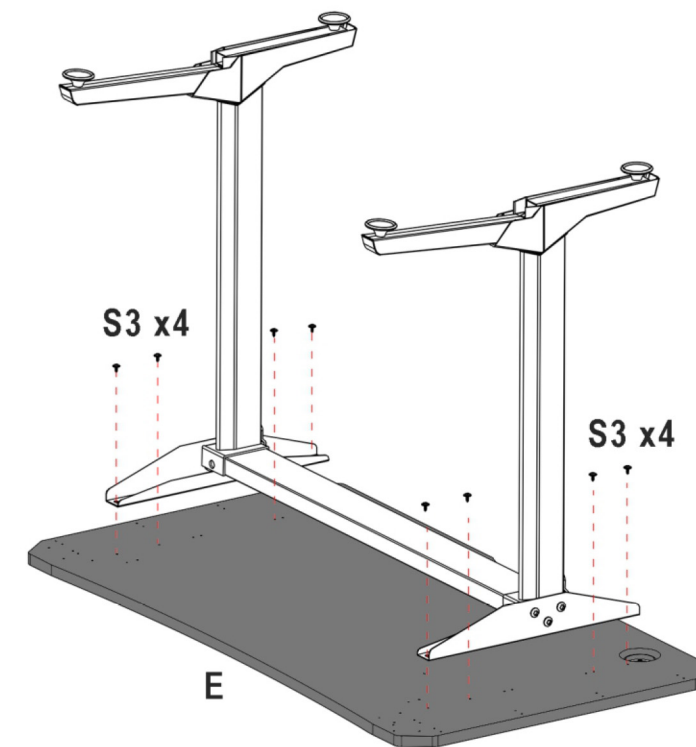


Please tighten all the screws.

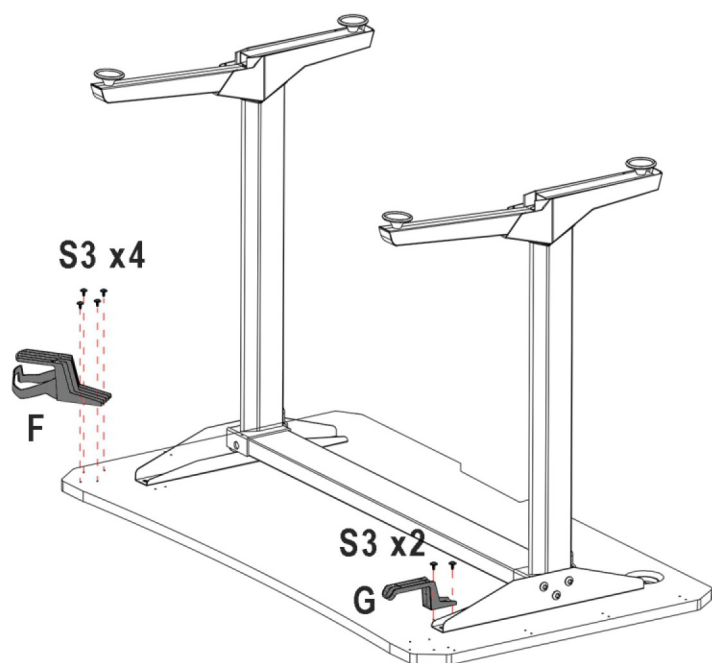
3



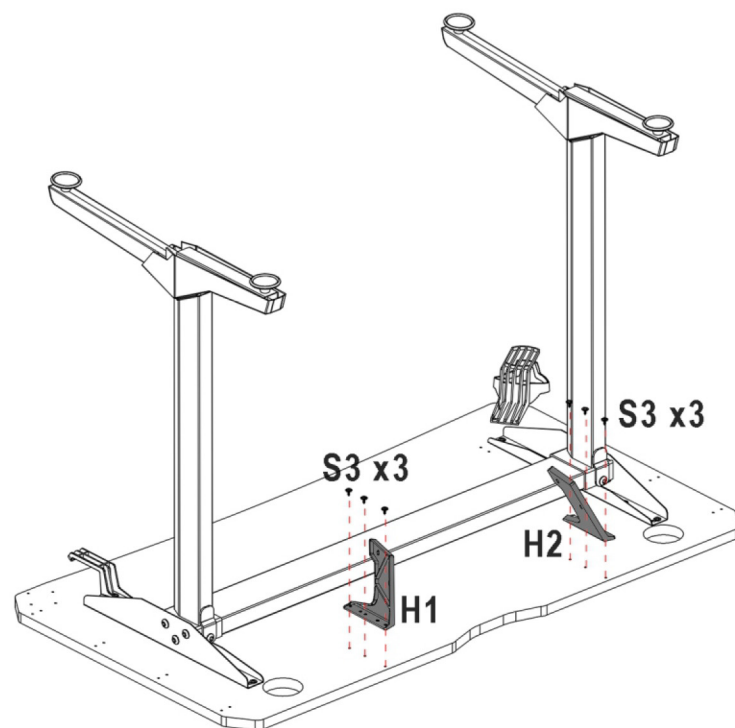
4



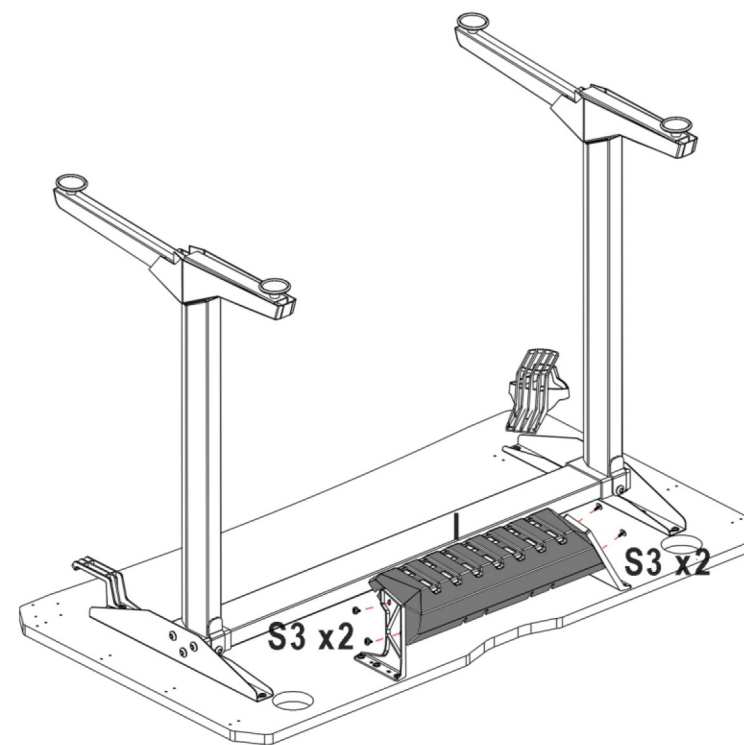
5



6



7



8

