

BATAVIA

# FIXPACK 12 V

## Cordless angle grinder

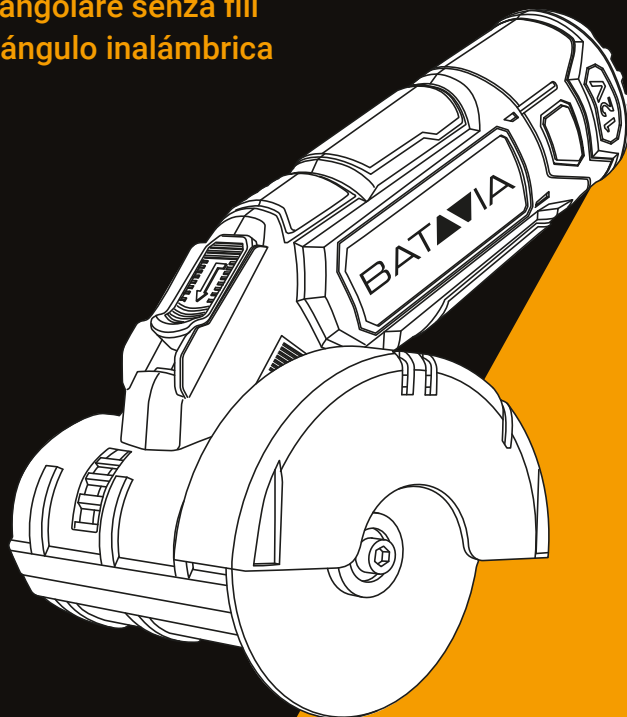
Akku-Winkelschleifer

Meuleuse d'angle sans fil

Accu haakse slijper

Smerigliatrice angolare senza fili

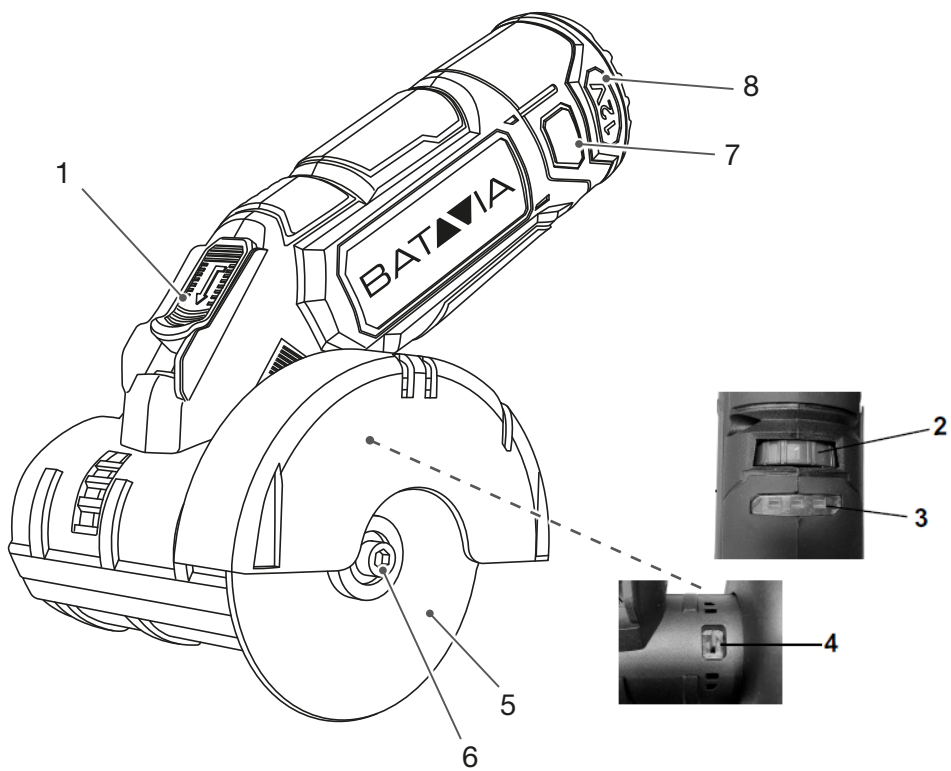
Amoladora de ángulo inalámbrica



Operating instructions  
Bedienungsanleitung (Original)  
Mode d'emploi  
Gebruiksaanwijzing  
Istruzioni di Funzionamento  
Manual de usuario

Model: BT-CAG003  
Item-No.: 7064219  
[www.bataviapower.com](http://www.bataviapower.com)





## OVERVIEW

---

1. ON/OFF Switch
2. Speed control button
3. Battery Charge Indicator
4. Spindle Lock Button
5. Grinding Disc **(not included)**
6. Fixing screw
7. Battery Release Button
8. Battery **(not included)**

## ÜBERSICHT

---

1. Ein-/Ausschalter
2. Schalter der Drehzahlregelung
3. Akku-Ladestandsanzeige
4. Spindelarreterung
5. Schleifkörper **(nicht enthalten)**
6. Spannschraube
7. Akku-Lösetaste
8. Akku **(nicht enthalten)**

## APERÇU

---

1. Interrupteur de mise en marche/arrêt
2. Réglage de la vitesse
3. Voyant de charge de la batterie
4. Bouton d'arrêtage
5. Disque abrasif **(non compris)**
6. Vis de blocage
7. Bouton de dégagement de la batterie
8. Batterie **(non compris)**

## OVERZICHT

---

1. AAN/UIT-schakelaar
2. Snelheidsregelingsknop
3. Accu laad indicator
4. Vergrendelknop
5. Slijpschijf **(niet inbegrepen)**
6. Vastzetschroef
7. Accu vergrendeling
8. Accu **(niet inbegrepen)**

## PANORAMICA

---

1. Interruttore accensione/spengimento
2. Pulsante di controllo della velocità
3. Indicatore di carica della batteria
4. Pulsante di blocco
5. Disco di molatura **(non inclusa)**
6. Vite di fissaggio
7. Pulsante per la rimozione della batteria
8. Batteria **(non inclusa)**

## RESUMEN

---

1. Interruptor de encendido/apagado
2. Botón de control de la velocidad
3. Indicador del nivel de carga de la batería
4. Botón de bloqueo
5. Disco de desbaste **(no incluido)**
6. Tornillo de fijación
7. Botón para soltar la batería
8. Batería **(no incluido)**

---

**CONTENTS**

---

Safety instructions . . . . .	4
Intended Use . . . . .	7
Unpacking the Tool . . . . .	7
Assembly . . . . .	7
Maintenance and Cleaning . . . . .	8
Technical data . . . . .	8
EC-Declaration of conformity . . . . .	9
UK Declaration of conformity . . . . .	9

**INHALTSVERZEICHNIS**

---

Sicherheitshinweise . . . . .	10
Bestimmungsgemäßer Gebrauch . . . . .	13
Vor der ersten Benutzung . . . . .	13
Montage . . . . .	14
Wartung und Reinigung . . . . .	15
Technische Daten . . . . .	15
EG-Konformitätserklärung. . . . .	16

**TABLE DES MATIÈRES**

---

Consignes de sécurité . . . . .	17
Utilisation prévue. . . . .	20
Avant la première utilisation . . . . .	20
Montage . . . . .	21
Nettoyage et maintenance. . . . .	21
Fiche technique . . . . .	22
CE-Déclaration de conformité. . . . .	22

**INHOUDSOPGAVE**

---

Veiligheidsvoorschriften . . . . .	23
Beoogd gebruik . . . . .	26
Voor het eerste gebruik. . . . .	26
Montage . . . . .	26
Reiniging en onderhoud . . . . .	27
Technische gegevens: . . . . .	28
EG-Conformiteitsverklaring . . . . .	28

**CONTENUTO**

---

Istruzioni di sicurezza . . . . .	29
Destinazione d'uso . . . . .	32
Disimballaggio dell'utensile . . . . .	32
Montaggio. . . . .	32
Manutenzione e pulizia . . . . .	33
Dati tecnici . . . . .	34
Dichiarazione di conformità CE . . . . .	34

**ÍNDICE**

---

Instrucciones de seguridad . . . . .	35
Uso previsto . . . . .	38
Desembalaje de la herramienta . . . . .	38
Montaje . . . . .	38
Mantenimiento y limpieza . . . . .	39
Datos técnicos . . . . .	40
Declaración CE de conformidad . . . . .	40

## DEAR CUSTOMERS

Instruction manuals provide valuable hints for using your new device. They enable you to use all functions, and they help you avoid misunderstandings and prevent damage. Please take the time to read this manual carefully and keep it for future reference.

## EXPLANATION OF THE SYMBOLS



**Warning!** To reduce the risk of injury, the user must read the instruction manual.



Denotes risk of personal injury, loss of life or damage to the tool in case of non-observance of the instructions in this manual.



Risk of flying objects. Keep bystanders away from the work area.



Always wear hearing protection. The effects of noise can cause hearing loss.



Wear a dust mask. When working with wood and other materials, harmful dust may be generated. Work with asbestos containing materials is not permitted!



Wear safety glasses. When working with electric power tools, sparks, splinters, chips and dust particles may be generated and these can cause loss of sight.



Wear safety gloves!



Do not press the spindle lock button while the motor is running.



CE stands for "Conformité Européenne", which means "In accordance with EU Regulations". With the CE marking, the manufacturer confirms that this Electric tool complies with the applicable European directives.



UKCA stands for: "UK Conformity Assessment". This means "Compliant with UK regulations". With the UKCA mark manufacturer

confirms that this unit complies with the applicable UK regulations.



Do not dispose of electric power tools with domestic refuse.

## SAFETY WARNINGS COMMON FOR GRINDING OR ABRASIVE CUTTING-OFF OPERATIONS:

- a. This power tool is intended to function as a grinder tool. Read all safety warnings, instructions, illustrations and specifications provided with this power tool. Failure to follow all instructions listed below may result in electric shock, fire and/or serious injury.
- b. Operations such as sanding, wire brushing, polishing are not recommended to be performed with this power tool. Operations for which the power tool was not designed may create a hazard and cause personal injury.
- c. Do not use accessories which are not specifically designed and recommended by the tool manufacturer. Just because the accessory can be attached to your power tool, it does not assure safe operation.
- d. The rated speed of the accessory must be at least equal to the maximum speed marked on the power tool. Accessories running faster than their rated speed can break and fly apart.
- e. The outside diameter and the thickness of your accessory must be within the capacity rating of your power tool. Incorrectly sized accessories cannot be adequately guarded or controlled.
- f. Threaded mounting of accessories must match the grinder spindle thread. For accessories mounted by flanges, the arbour hole of the accessory must fit the locating diameter of the flange. Accessories that do not match the mounting hardware of the power tool will run out of balance, vibrate excessively and may cause loss of control.
- g. Do not use a damaged accessory. Before each use inspect the accessory such as abrasive wheels for chips and cracks, backing pad for cracks, tear or

excess wear, wire brush for loose or cracked wires. If power tool or accessory is dropped, inspect for damage or install an undamaged accessory. After inspecting and installing an accessory, position yourself and bystanders away from the plane of the rotating accessory and run the power tool at maximum no-load speed for one minute.

Damaged accessories will normally break apart during this test time.

- h. **Wear personal protective equipment. Depending on application, use face shield, safety goggles or safety glasses. As appropriate, wear dust mask, hearing protectors, gloves and workshop apron capable of stopping small abrasive or workpiece fragments.** The eye protection must be capable of stopping flying debris generated by various operations. The dust mask or respirator must be capable of filtrating particles generated by your operation. Prolonged exposure to high intensity noise may cause hearing loss.
- i. **Keep bystanders a safe distance away from work area. Anyone entering the work area must wear personal protective equipment.** Fragments of workpiece or of a broken accessory may fly away and cause injury beyond immediate area of operation.
- j. **Hold the power tool by insulated gripping surfaces only, when performing an operation where the cutting accessory may contact hidden wiring.** Cutting accessory contacting a "live" wire may make exposed metal parts of the power tool "live" and could give the operator an electric shock.
- k. **Position power cords clear of the spinning accessory.** If you lose control, the cord may be cut or snagged and your hand or arm may be pulled into the spinning accessory.
- l. **Never lay the power tool down until the accessory has come to a complete stop.** The spinning accessory may grab the surface and pull the power tool out of your control.

- m. **Do not run the power tool while carrying it at your side.** Accidental contact with the spinning accessory could snag your clothing, pulling the accessory into your body.
- n. **Regularly clean the power tool's air vents.** The motor's fan will draw the dust inside the housing and excessive accumulation of powdered metal may cause electrical hazards.
- o. **Do not operate the power tool near flammable materials.** Sparks could ignite these materials.
- p. **Do not use accessories that require liquid coolants.** Using water or other liquid coolants may result in electrocution or shock.

### **KICKBACK AND RELATED WARNINGS**

Kickback is the sudden reaction of a wedged or locked spinning attachment such as a grinding or sanding disc or a wire brush etc. This causes the spinning attachment to come to a sudden stop, which will force the electric tool against the rotating direction of the attachment.

If, for instance, a cutting disc becomes locked or jammed in the work piece, the edge of the disc may fracture inside the work piece and cause a violent kickback. The disc will then move away from or towards the operator, depending on the direction of rotation on the locking point. This may also shatter the disc.

Kickback is caused by wrong or inappropriate use of the tool and can be avoided by following the safety advice below.

- a. **Hold the electric tool tightly with both hands and assume a position, in which you can compensate a kickback. If present, use the accessory handle to be able to control kickback and countermovement of the running motor.** With the necessary precautions the operator can control all forces of kickback and countermovement.
- b. **Keep your hand away from the spinning attachment.** A kickback can throw the attachment onto your hand.
- c. **Keep your body out of the area into which the tool is thrown by a kickback.**

The tool is thrown into the direction reverse to the direction of the disc at the locking point.

- d. **Use extreme care when working around edges or sharp corners. Make sure the attachment cannot become locked into or bounce back from the work piece.** Rotating discs tend to lock into or bounce back from edges and corners. This may cause kickback or loss of control.
- e. **Do not attach a saw chain woodcarving blade or toothed saw blade.** Such blades create frequent kickback and loss of control.

### **SAFETY WARNINGS SPECIFIC FOR GRINDING AND ABRASIVE CUTTING-OFF OPERATIONS:**

- a. **Use only discs intended for your electric tool and the protective hood intended for these discs.** Discs not intended for the electric tool cannot be covered in a suitable way and are unsafe.
- b. **The grinding surface of centre depressed wheels must be mounted below the plane of the guard lip.** An improperly mounted wheel that projects through the plane of the guard lip cannot be adequately protected.
- c. **Always use the protective hood intended for the kind of attachment you are using. The protective hood must be securely attached and be adjusted in such a way that the highest possible degree of safety is achieved, e.g. the smallest possible part of the spinning attachment pointing to the operator is free.** The protective hood is intended to protect the operator from flying debris, fragments of a fractured disc and accidental contact with the attachment.
- d. **Use discs only for the purpose they are intended for by the manufacturer. Never use the side of a cutting disc for grinding.** Cutting discs are intended for cutting only. Lateral forces may cause fracture.
- e. **Always use undamaged flanges of the correct size and shape for your cutting disc.** The correct flanges support the disc

and reduce the risk of a disc fracture. Flanges for cutting discs can differ from those for grinding discs.

- f. **Do not use worn-down discs from larger electric tools.** These are not intended for the fast speeds of smaller electric tools and may fracture.

### **ADDITIONAL SAFETY WARNINGS SPECIFIC FOR ABRASIVE CUTTING-OFF OPERATIONS:**



*Cut-off operations are only suitable with a special protection guard (not included).*

- a. **Avoid blocking the disc and do not use excessive pressure. Do not attempt excessively deep cuts.** Excessive loads on the cutting disc increase the stress and make it more prone to jamming or blocking and increase the risk of kickback of fracture.
- b. **Do not position your body in line with and behind the rotating wheel.** When the wheel, at the point of operation, is moving away from your body, the possible kickback may propel the spinning wheel and the power tool directly at you.
- c. **When wheel is binding or when interrupting a cut for any reason, switch off the power tool and hold the power tool motionless until the wheel comes to a complete stop. Never attempt to remove the cut-off wheel from the cut while the wheel is in motion otherwise kickback may occur.** Investigate and take corrective action to eliminate the cause of wheel binding.
- d. **Use discs only for the purpose they are intended for by the manufacturer. Never use the side of a cutting disc for grinding.** Cutting discs are intended for cutting only. Lateral forces may cause fracture.
- e. **Always use undamaged flanges of the correct size and shape for your cutting disc.** The correct flanges support the disc and reduce the risk of a disc fracture. Flanges for cutting discs can differ from those for grinding discs.

- f. **Do not use worn-down discs from larger electric tools.** These are not intended for the fast speeds of smaller electric tools and may fracture.

## RESIDUAL RISKS

Even when you use this electric power tool correctly, residual risks remain. The following dangers may arise in connection with the construction and application of electric power tools, among other things:

- Lung damage if no suitable protective dust mask is used.
- Damage to hearing if no suitable ear protection is used.
- Damage to health resulting from hand-arm vibrations if the electric power tool is used over a long period of time, or is incorrectly operated or maintained.
- Warning! These electric power tools produce an electromagnetic field during operation. Under certain circumstances, this field may impair the operation of active or passive medical implants. In order to reduce the danger of serious or fatal injuries, we recommend that persons with medical implants consult their doctor and the manufacturer of the medical implant before operating the electric power tool.

## INTENDED USE

The angle grinder has been designed for grinding masonry and steel materials without the use of water.

## UNPACKING THE TOOL

Remove the angle grinder and accessories from the packaging. Keep packaging materials away from small children. There is danger of suffocation!

## ASSEMBLY



*Before assembly, always switch off the machine and remove the battery from the machine.*



*Never use the angle grinder without the protective cover.*

## Inserting the grinding disc

**Attention! Always disconnect the battery prior to insertion and replacement of a grinding disc to avoid unintentional activation.**

The rated speed of the accessory must be at least equal to the maximum speed marked on the power tool. Accessories running faster than their rated speed can break and fly apart.

1. Lock the spindle by pressing the locking knob **(4)**. Hold down the locking knob.
2. Rotate the spindle by hand until the spindle noticeably snaps into place.
3. Place the grinding disc **(5)** on the inner flange.
4. Screw the outer flange **(6)** onto the spindle.
5. Spin the grinding disc by hand to check for proper installation and ease of movement.
6. Perform a test run (see Startup).
7. To change the grinding disc, go in reverse order after you have loosened the outer flange using the face pin wrench. Before changing the grinding disc, clean the outer flange and the inner flanges from grinding residue each time.

## Speed adjustment

The tool has a variable speed control with 1+six settings for precise speed adjustment. Set it to the required speed for operation. The required speed is depend on the material and is to be determined by a practical trial.

## On/Off Trigger

1. Switching on
  - Move the On/Off switch **(1)** to the right and then forward to the tool head. Press the front part of it down until it is latched. Then you can release the switch, it will lock on for continuous use.
2. Switching off
  - Push down the back of the On/Off switch **(1)** and move it backwards to the rear of the tool to switch off.

## Cutting

Maintain firm contact with the work piece to prevent vibration and do not tilt or apply pressure and when cutting. Use moderate pressure

when working, appropriate to the material that is being worked on. Do not slow down wheel discs by applying sideways counter pressure. The direction in which you want to cut is important.

The machine must always work against the direction of the cut; so never move the machine in the other direction! There is the risk that the machine will catch in the cut causing kickback and that you will lose control.

### Hints for optimum use

- Clamp the work piece. Use a clamping device for small work pieces.
- Hold the machine with both hands.
- Switch on the machine.
- Wait until the machine has reached full speed.
- Place the wheel disc on the work piece.
- Slowly move the machine along the work piece, firmly pressing the wheel disc against the work piece.
- Do not apply too much pressure on the machine. Let the machine do the work.
- Switch off the machine and wait for the machine to come to a complete standstill before putting the machine down.

## MAINTENANCE AND CLEANING

**WARNING:** Always disconnect from the mains power supply, before carrying out any maintenance/ cleaning of the charger. Remove the battery before carrying out any maintenance/ cleaning of the tool.

### Maintenance

There are no inner parts of the tool which need maintenance.

### Cleaning

- Keep safety devices, ventilation openings and the motor housing as free as possible from dirt and dust. Rub the electric power tool with a clean cloth or blow over it with low pressure compressed air.
- We recommend that you clean your electric power tool immediately after each use.
- Clean the electric power tool regularly with a damp cloth and somewhat soft soap. Do not use any cleaning or solvent materials; these can attack the device's plastic com-

ponents. Make sure that no water can get inside the electric power tool.

## TECHNICAL DATA

Speed . . . . .	12000—19500 min <sup>-1</sup>
Grinding disc diameter . . . . .	∅ 76 mm
Drive shaft thread. . . . .	M5
Weight . . . . .	0.68 kg
Sound Pressure Level L <sub>pA</sub> . . . . .	75.6 dB(A)
Uncertainty K <sub>pA</sub> . . . . .	3 dB
Sound Power Level L <sub>WA</sub> . . . . .	85.6 dB(A)
Uncertainty K <sub>WA</sub> . . . . .	3 dB
Hand Arm Vibration. . . . .	0.732 m/s <sup>2</sup>
Uncertainty K . . . . .	1.5 m/s <sup>2</sup>

## DISPOSAL



*Do not dispose of electric power tools with domestic refuse.*

The electric power tool is shipped in packaging to reduce transport damage. This packaging is a raw material and as such can either be reused or can be fed back into the raw material cycle. The electric power tool and its accessories are made from various materials such as metals and plastics. Take defective components to a special refuse collection point. Ask about these at your specialist shop or local council. The product and the user manual may be subject to changes. Technical data may be changed without prior notice.

### Batteries

Think of the environment when disposing of batteries. Contact your local authorities to find out where your nearest disposal area is. Do not dispose of batteries with domestic refuse. Do not dispose of by burning, risk of explosion.

---

**EC-DECLARATION OF CONFORMITY**

---

We, the **Batavia B.V., Weth. Wassebaliestraat 6d, NL-7951 SN Staphorst**, declare by our own responsibility that the product **Cordless Angle Grinder, Model BT-CAG003, Item-No 7064219** is according to the basic requirements, which are defined in the European Directives Electromagnetic Compatibility **2014/30/EU (EMC)**, **2006/42/EC (Machinery)**, **2011/65/EU (RoHS)** and their amendments.

For the evaluation of conformity, the following harmonized standards were consulted:

**EN60745-1:2009/A11:2010**

**EN60745-2-3:2011/A13:2015**

**AfPS GS 2019:01 PAK**

**EK9-BE-91(V4):2020**

**EN IEC 55014-1:2021**

**EN IEC 55014-2:2021**

Staphorst, 4 February 2022



Meino Seinen, QA Representative  
Batavia B.V., Weth. Wassebaliestraat 6d,  
7951 SN Staphorst, Netherlands

---

**UK DECLARATION OF CONFORMITY**

---

We, the **Batavia B.V., Weth. Wassebaliestraat 6d, NL-7951 SN Staphorst**, declare by our own responsibility that the product **Cordless Angle Grinder, Model BT-CAG003, Item-No 7064219** is according to the basic requirements, which are defined in the **UK Regulations Supply of Machinery (Safety) Regulations 2008, Electromagnetic Compatibility Regulations 2016, Restriction of the Use of Certain Hazardous Substances in Electrical and Electronic Equipment Regulations 2012** and their amendments.

Staphorst, 4 February 2022



Meino Seinen, QA Representative  
Batavia B.V., Weth. Wassebaliestraat 6d,  
7951 SN Staphorst, Netherlands

## SEHR GEEHRTE DAMEN UND HERREN

Bedienungsanleitungen enthalten wichtige Hinweise für den Umgang mit Ihrem neuen Produkt. Sie ermöglichen Ihnen, alle Funktionen zu nutzen, und sie helfen Ihnen, Missverständnisse zu vermeiden und Schäden vorzubeugen.

Bitte nehmen Sie sich die Zeit, diese Bedienungsanleitung in Ruhe durchzulesen und bewahren Sie diese für späteres Nachlesen gut auf.

## ERLÄUTERUNG DER SYMBOLE



**WARNUNG** - Zur Verringerung des Verletzungsrisikos Bedienungsanleitung lesen.



Lebens- und Verletzungsgefahr und Gefahr von Beschädigungen am Gerät bei Nichteinhaltung der Sicherheitsvorschriften in dieser Anleitung.



Gefahr von herumfliegenden Gegenständen. Unbeteiligte vom Arbeitsbereich fernhalten.



Tragen Sie immer einen Gehörschutz. Die Einwirkung von Lärm kann Hörverlust bewirken.



Tragen Sie eine Staubschutzmaske. Beim Bearbeiten von Holz und anderen Materialien kann gesundheitsschädlicher Staub entstehen. Asbesthaltiges Material darf nicht bearbeitet werden!



Tragen Sie eine Schutzbrille. Während der Arbeit entstehende Funken oder aus dem Elektrowerkzeug heraustretende Splitter, Späne und Stäube können Sichtverlust bewirken.



Gute und widerstandsfähige Handschuhe tragen!



Spindelarretierung nur bei stillstehendem Motor und Schleifspindel drücken!



CE steht für „Conformité Européenne“, dies bedeutet, „Übereinstimmung mit EU

Richtlinien“. Mit der CE Kennzeichnung bestätigt der Hersteller, dass dieses Elektrowerkzeug den geltenden europäischen Richtlinien entspricht.



Nicht in den Hausmüll entsorgen!

## GEMEINSAME SICHERHEITSHINWEISE FÜR DAS SCHLEIFEN UND ABRASIVE TRENNEN:

- a. Dieses Elektrowerkzeug ist zu verwenden als Schleifer und Trennschleifmaschine. Beachten Sie alle Sicherheitshinweise, Anweisungen, Darstellungen und Daten, die Sie mit dem Gerät erhalten. Wenn Sie die folgenden Anweisungen nicht beachten, kann es zu elektrischem Schlag, Feuer und/oder schweren Verletzungen kommen.
- b. Dieses Elektrowerkzeug ist nicht geeignet zum Sandpapierschleifen, Arbeiten mit Drahtbürsten und Polieren. Verwendungen, für die das Elektrowerkzeug nicht vorgesehen ist, können Gefährdungen und Verletzungen verursachen.
- c. Verwenden Sie kein Zubehör, das vom Hersteller nicht speziell für dieses Elektrowerkzeug vorgesehen und empfohlen wurde. Nur weil Sie das Zubehör an Ihrem Elektrowerkzeug befestigen können, garantiert das keine sichere Verwendung.
- d. Die zulässige Drehzahl des Einsatzwerkzeugs muss mindestens so hoch sein wie die auf dem Elektrowerkzeug angegebene Höchstdrehzahl. Zubehör, das sich schneller als zulässig dreht, kann zerbrechen und umherfliegen.
- e. Außendurchmesser und Dicke des Einsatzwerkzeugs müssen den Maßangaben Ihres Elektrowerkzeugs entsprechen. Falsch bemessene Einsatzwerkzeuge können nicht ausreichend abgeschirmt oder kontrolliert werden.
- f. Einsatzwerkzeuge mit Gewindeinsatz müssen genau auf das Gewinde der Schleifspindel passen. Bei Einsatzwerkzeugen, die mittels Flansch montiert werden, muss der Lochdurchmesser des Einsatzwerkzeuges zum Aufnahmedurchmesser des Flansches

**passen.** Einsatzwerkzeuge, die nicht genau am Elektrowerkzeug befestigt werden, drehen sich ungleichmäßig, vibrieren sehr stark und können zum Verlust der Kontrolle führen.

- g. Verwenden Sie keine beschädigten Einsatzwerkzeuge. Kontrollieren Sie vor jeder Verwendung Einsatzwerkzeuge wie Schleifscheiben auf Absplitterungen und Risse, Schleifteller auf Risse, Verschleiß oder starke Abnutzung, Drahtbürsten auf lose oder gebrochene Drähte. Wenn das oder verwenden Sie ein unbeschädigtes Einsatzwerkzeug. Wenn Sie das Einsatzwerkzeug kontrolliert und eingesetzt haben, halten Sie und in der Nähe befindliche Personen sich außerhalb der Ebene des rotierenden Einsatzwerkzeugs auf und lassen Sie das Gerät eine Minute lang mit Höchstdrehzahl laufen.** Beschädigte Einsatzwerkzeuge brechen meist in dieser Testzeit.
- h. Tragen Sie persönliche Schutzausrüstung. Verwenden Sie je nach Anwendung Vollgesichtsschutz, Augenschutz oder Schutzbrille. Soweit angemessen, tragen Sie Staubmaske, Gehörschutz, Schutzhandschuhe oder Spezialschürze, die kleine Schleif- und Materialpartikel von Ihnen fernhält.** Die Augen sollen vor herumfliegenden Fremdkörpern geschützt werden, die bei verschiedenen Anwendungen entstehen. Staub- oder Atemschutzmaske müssen den bei der Anwendung entstehenden Staub filtern. Wenn Sie lange lautem Lärm ausgesetzt sind, können Sie einen Hörverlust erleiden.
- i. Achten Sie bei anderen Personen auf sicheren Abstand zu Ihrem Arbeitsbereich. Jeder, der den Arbeitsbereich betritt, muss persönliche Schutzausrüstung tragen.** Bruchstücke des Werkstücks oder gebrochener Einsatzwerkzeuge können wegfiegen und Verletzungen auch außerhalb des direkten Arbeitsbereichs verursachen.
- j. Halten Sie das Gerät nur an den isolierten Griffflächen, wenn Sie Arbeiten ausführen, bei denen das Einsatzwerkzeug verborgene Stromleitungen treffen kann.** Der Kontakt mit einer span-
- nungsführenden Leitung kann auch metallene Geräteteile unter Spannung setzen und zu einem elektrischen Schlag führen.
- k. Halten Sie Netzkabel von sich drehenden Einsatzwerkzeugen fern.** Wenn Sie die Kontrolle über das Gerät verlieren, kann das Netzkabel durchtrennt oder erfasst werden und Ihre Hand oder Ihr Arm in das sich drehende Einsatzwerkzeug geraten.
- l. Legen Sie das Elektrowerkzeug niemals ab, bevor das Einsatzwerkzeug völlig zum Stillstand gekommen ist.** Das sich drehende Einsatzwerkzeug kann in Kontakt mit der Ablagefläche geraten, wodurch Sie die Kontrolle über das Elektrowerkzeug verlieren können.
- m. Lassen Sie das Elektrowerkzeug nicht laufen, während Sie es tragen.** Ihre Kleidung kann durch zufälligen Kontakt mit dem sich drehenden Einsatzwerkzeug erfasst werden und das Einsatzwerkzeug sich in Ihren Körper bohren.
- n. Reinigen Sie regelmäßig die Lüftungsschlitze Ihres Elektrowerkzeugs.** Das Motorgebläse zieht Staub in das Gehäuse, und eine starke Ansammlung von Metallstaub kann elektrische Gefahren verursachen.
- o. Verwenden Sie das Elektrowerkzeug nicht in der Nähe brennbarer Materialien.** Funken können diese Materialien entzünden.
- p. Verwenden Sie keine Einsatzwerkzeuge, die flüssige Kühlmittel erfordern.** Die Verwendung von Wasser oder anderen flüssigen Kühlmitteln kann zu einem elektrischen Schlag führen.

## **WARNUNGEN IN VERBINDUNG MIT RÜCKSCHLAG**

Rückschlag ist die plötzliche Reaktion infolge eines hakenden oder blockierten drehenden Einsatzwerkzeugs, wie Schleifscheibe, Schleifteller, Drahtbürste usw. Verhaken oder Blockieren führt zu einem abrupten Stopp des rotierenden Einsatzwerkzeugs. Dadurch wird ein unkontrolliertes Elektrowerkzeug gegen die Drehrichtung des Einsatzwerkzeugs an der Blockierstelle beschleunigt.

Wenn z.B. eine Schleifscheibe im Werkstück hakt oder blockiert, kann sich die Kante der Schleifscheibe, die in das Werkstück eintaucht, verfangen und dadurch die Schleifscheibe ausbrechen oder einen Rückschlag verursachen. Die Schleifscheibe bewegt sich dann auf die Bedienperson zu oder von ihr weg, je nach Drehrichtung der Scheibe an der Blockierstelle. Hierbei können Schleifscheiben auch brechen.

Ein Rückschlag ist die Folge eines falschen oder fehlerhaften Gebrauchs des Elektrowerkzeugs. Er kann durch geeignete Vorsichtsmaßnahmen, wie nachfolgend beschrieben, verhindert werden.

- a. **Halten Sie das Elektrowerkzeug gut fest und bringen Sie Ihren Körper und Ihre Arme in eine Position, in der Sie die Rückschlagkräfte abfangen können. Verwenden Sie immer den Zusatzgriff, falls vorhanden, um die größtmögliche Kontrolle über Rückschlagkräfte oder Reaktionsmomente beim Hochlauf zu haben.** Die Bedienperson kann durch geeignete Vorsichtsmaßnahmen die Rückschlag- und Reaktionskräfte beherrschen.
- b. **Bringen Sie Ihre Hand nie in die Nähe sich drehender Einsatzwerkzeuge.** Das Einsatzwerkzeug kann sich beim Rückschlag über Ihre Hand bewegen.
- c. **Meiden Sie mit Ihrem Körper den Bereich, in den das Elektrowerkzeug bei einem Rückschlag bewegt wird.** Der Rückschlag treibt das Elektrowerkzeug in die Richtung entgegengesetzt zur Bewegung der Schleifscheibe an der Blockierstelle.
- d. **Arbeiten Sie besonders vorsichtig im Bereich von Ecken, scharfen Kanten usw. Verhindern Sie, dass Einsatzwerkzeuge vom Werkstück zurückprallen und verklemmen.** Das rotierende Einsatzwerkzeug neigt bei Ecken, scharfen Kanten oder wenn es abprallt dazu, sich zu verklemmen. Dies verursacht einen Kontrollverlust oder Rückschlag.
- e. **Verwenden Sie kein Ketten- oder gezähntes Sägeblatt.** Solche Einsatzwerkzeuge verursachen häufig einen Rückschlag oder den Verlust der Kontrolle über das Elektrowerkzeug.

## **ZUSÄTZLICHE SICHERHEITSHINWEISE ZUM SCHLEIFEN UND TRENNSCHLEIFEN - BESONDERE SICHERHEITSHINWEISE ZUM SCHLEIFEN UND TRENNSCHLEIFEN**

- a. **Verwenden Sie ausschließlich die für Ihr Elektrowerkzeug zugelassenen Schleifkörper und die für diese Schleifkörper vorgesehene Schutzhaube.** Schleifkörper, die nicht für das Elektrowerkzeug vorgesehen sind, können nicht ausreichend abgeschirmt werden und sind unsicher.
- b. **Gekröpfte Schleifscheiben müssen so montiert werden, dass ihre Schleiffläche nicht über der Ebene des Schutzhaubenrandes hervorsteht.** Eine unsachgemäß montierte Schleifscheibe, die über die Ebene des Schutzhaubenrandes hinausragt, kann nicht ausreichend abgeschirmt werden.
- c. **Die Schutzhaube muss sicher am Elektrowerkzeug angebracht und so eingestellt sein, dass ein Höchstmaß an Sicherheit erreicht wird, d. h. der kleinstmögliche Teil des Schleifkörpers zeigt offen zur Bedienperson.** Die Schutzhaube soll die Bedienperson vor Bruchstücken und zufälligem Kontakt mit dem Schleifkörper schützen.
- d. **Schleifkörper dürfen nur für die empfohlenen Einsatzmöglichkeiten verwendet werden. Zum Beispiel: Schleifen Sie nie mit der Seitenfläche einer Trennscheibe.** Trennscheiben sind zum Materialabtrag mit der Kante der Scheibe bestimmt. Seitliche Krafteinwirkung auf diese Schleifkörper kann sie zerbrechen.
- e. **Verwenden Sie immer unbeschädigte Spannflansche in der richtigen Größe und Form für die von Ihnen gewählte Schleifscheibe.** Geeignete Flansche stützen die Schleifscheibe und verringern so die Gefahr eines Schleifscheibenbruchs. Flansche für Trennscheiben können sich von den Flanschen für andere Schleifscheiben unterscheiden.
- f. **Verwenden Sie keine abgenutzten Schleifscheiben von größeren Elektrowerkzeugen.** Schleifscheiben für größere Elektrowerkzeuge sind nicht für die höheren Drehzahlen von kleineren Elektrowerkzeugen ausgelegt und können brechen.

## BESONDERE SICHERHEITSHINWEISE FÜR DAS SCHLEIFEN UND ABRASIVE TRENNEN



*Trennarbeiten dürfen nur mit einer besonderen Schutzvorrichtung (13b) durchgeführt werden (nicht mitgeliefert).*

- a. **Vermeiden Sie ein Blockieren der Trennscheibe oder zu hohen Anpressdruck. Führen Sie keine übermäßig tiefen Schnitte aus.** Eine Überlastung der Trennscheibe erhöht deren Beanspruchung und die Anfälligkeit zum Verkanten oder Blockieren und damit die Möglichkeit eines Rückschlags oder Schleifkörperbruchs.
- b. **Bringen Sie Ihren Körper nicht hinter oder neben die drehende Scheibe.** Wenn die Scheibe sich während des Arbeitens von Ihrem Körper entfernt, kann ein möglicher Rückschlag die drehende Scheibe und das Elektrowerkzeug direkt in Ihre Richtung treiben.
- c. **Wenn die Scheibe fest sitzt oder das Trennen aus einem beliebigen Grund unterbrochen werden muss, schalten Sie das Elektrowerkzeug aus und halten Sie es bewegungslos, bis die Scheibe vollständig zum Stillstand gekommen ist. Versuchen Sie niemals, die Trennscheibe aus dem Werkstück zu entfernen, während sie noch in Bewegung ist. Dies könnte zu einem Rückschlag führen.** Untersuchen Sie die Ursache des Festsitzens und treffen Sie entsprechende Gegenmaßnahmen.
- d. **Die Schleifscheiben dürfen nur für die empfohlenen Anwendungszwecke verwendet werden. Beispiel: Führen Sie keine Schleifarbeiten mit der Seite einer Trennscheibe durch.** Abrasive Trennscheiben sind für das Umfangschleifen vorgesehen und können durch aufgebraute Seitenkräfte brechen.
- e. **Verwenden Sie immer unbeschädigte Scheibenflansche in der richtigen Größe und Form für die gewählte Scheibe.** Scheibenflansche in der richtigen Größe stützen die Scheibe und verringern so die Bruchgefahr. Flansche für

Trennscheiben können sich von Flanschen für Schleifscheiben unterscheiden.

- f. **Verwenden Sie keine abgenutzten Scheiben aus größeren Elektrowerkzeugen.** Für größere Elektrowerkzeuge konstruierte Scheiben sind nicht für die höheren Drehzahlen eines kleineren Werkzeugs geeignet und können zerspringen.

## RESTRISIKEN

Auch wenn Sie dieses Elektrowerkzeug vorschriftsmäßig bedienen, bleiben immer Restrisiken bestehen. Folgende Gefahren können im Zusammenhang mit der Bauweise und Ausführung dieses Elektrowerkzeugs auftreten:

- Lungenschäden, falls keine geeignete Staubschutzmaske getragen wird.
- Gehörschäden, falls kein geeigneter Gehörschutz getragen wird.
- Gesundheitsschäden, die aus Hand-Arm-Schwingungen resultieren, falls das Elektrowerkzeug über einen längeren Zeitraum verwendet wird oder nicht ordnungsgemäß geführt und gewartet wird.
- Warnung! Dieses Elektrowerkzeug erzeugt während des Betriebs ein elektromagnetisches Feld. Dieses Feld kann unter bestimmten Umständen aktive oder passive medizinische Implantate beeinträchtigen. Um die Gefahr von ernsthaften oder tödlichen Verletzungen zu verringern, empfehlen wir Personen mit medizinischen Implantaten ihren Arzt und den Hersteller vom medizinischen Implantat zu konsultieren, bevor die Maschine bedient wird!

## BESTIMMUNGSGEMÄSSER GEBRAUCH

Das Elektrowerkzeug ist zum Schleifen von Metall- und Steinwerkstoffen ohne Verwendung von Wasser bestimmt.

## VOR DER ERSTEN BENUTZUNG

Nehmen Sie den Winkelschleifer und das Zubehör aus der Verpackung. Halten Sie die Verpackungsmaterialien von Kleinkindern fern. Es besteht Erstickungsgefahr!

## MONTAGE



Schalten Sie das Gerät aus. Ziehen Sie den Akku!



Der Winkelschleifer darf nicht ohne Schutzhaube benutzt werden.

### Einsetzen der Schleifscheibe

**Achtung! Ziehen Sie unbedingt vor dem Einsetzen und Auswechseln einer Schleifscheibe den Akku um ein ungewolltes Einschalten zu vermeiden.**

Die zulässige Drehzahl des Einsatzwerkzeugs muss mindestens so hoch sein wie die auf dem Elektrowerkzeug angegebene Höchstdrehzahl. Zubehör, das sich schneller als zulässig dreht, kann zerbrechen und umherfliegen.

1. Drücken Sie die Spindelarretierung **(4)**, um die Spindel zu arretieren.
2. Drehen Sie die Spindel von Hand, bis die Spindel spürbar einrastet.
3. Setzen Sie den Schleifkörper **(5)** auf die Spindel. Das Loch im Schleifkörper muss sicher auf dem Zentrieransatz des Stützflansches sitzen.
4. Schrauben Sie den Außenflansch **(6)** auf die Spindel.
5. Drehen Sie die Schleifscheibe zur Kontrolle der ordnungsgemäßen Montage und der Freigängigkeit per Hand durch.
6. Nehmen Sie einen Probelauf vor.
7. Zum Wechseln der Schleifscheibe gehen Sie in umgekehrter Reihenfolge nachdem Sie den Außenflansch mithilfe des Stirnlochschlüssels gelöst haben. Reinigen Sie vor jedem Schleifscheibenwechseln den Außenflansch und den Innenflanschen von Schleifrückständen.

### Drehzahlregelung

Das Elektrowerkzeug ist mit einer variablen Drehzahlregelung ausgestattet, die Ihnen sechs verschiedene Stufen für das präzise Einstellen der Drehgeschwindigkeit zur Verfügung stellt. Wählen Sie die gewünschte Drehzahl, indem Sie den Schalter in die entsprechende Stellung bringen. Die erforderliche Drehzahl hängt von der Beschaffenheit des zu bearbeitenden Werkstoffs ab und lässt sich durch einen kurzen Testlauf ermitteln.

## Ein-/Ausschalter

1. Einschalten
  - Bringen Sie den Ein-/Aus-Schalter **(1)** in die rechte Stellung und schieben Sie ihn dann nach vorne zum Kopfstück des Werkzeugs. Drücken Sie anschließend den vorderen Teil des Schalters nach unten, bis er spürbar einrastet. Die Verriegelung sorgt dafür, dass Sie den Schalter nun loslassen und das Werkzeug im Dauerbetrieb verwenden können.
2. Ausschalten
  - Möchten Sie das Werkzeug ausschalten, drücken Sie den hinteren Teil des Ein-/Aus-Schalters **(1)** nach unten und schieben Sie ihn dann in Richtung des Griffstücks.

## Trennen

Halten Sie festen Kontakt zum Werkstück, um Vibrationen zu vermeiden, neigen Sie das Gerät beim Trennen nicht, und üben Sie keinen übermäßigen Druck aus. Üben Sie beim Arbeiten nur mäßigen Druck aus, der dem bearbeiteten Werkstoff angemessen ist. Verlangsamten Sie die Schleifscheiben nicht durch Gegenruck von der Seite. Die Richtung, in der Sie schneiden möchten, ist wichtig. Das Gerät muss immer entgegen der Schnittrichtung arbeiten. Bewegen Sie also niemals das Gerät in die andere Richtung!

Es besteht die Gefahr, dass das Gerät beim Trennen festklemmt, was einen Rückschlag verursacht, sodass Sie die Kontrolle über das Gerät verlieren.

## Ratschläge für optimale Arbeitsergebnisse

- Spannen Sie das Werkstück ein. Verwenden Sie für kleine Werkstücke eine Spannvorrichtung.
- Halten Sie die Maschine mit beiden Händen fest.
- Schalten Sie die Maschine ein.
- Warten Sie, bis die Maschine ihre volle Geschwindigkeit erreicht hat.
- Setzen Sie die Schleifscheibe auf das Werkstück.
- Bewegen Sie die Maschine langsam die vorgezeichnete Linie entlang, wobei Sie

die Schleifscheibe fest gegen das Werkstück drücken.

- Üben Sie nicht zu viel Druck auf die Maschine aus. Lassen Sie die Maschine die Arbeit verrichten.
- Schalten Sie die Maschine aus und warten Sie, bis sie vollkommen zum Stillstand gekommen ist, bevor Sie sie ablegen.

## WARTUNG UND REINIGUNG

**WARNUNG:** Trennen Sie das Ladegerät stets vom Stromnetz, bevor Sie Wartungs- oder Reinigungsarbeiten daran vornehmen. Entnehmen Sie den Akku, bevor Sie Wartungs- oder Reinigungsarbeiten an der Säbelsäge durchführen.

### Wartung

Im Geräteinneren befinden sich keine weiteren zu wartenden Teile.

### Reinigung

- Halten Sie Schutzvorrichtungen, Lüftungsöffnungen und Motorengehäuse so staub- und schmutzfrei wie möglich. Reiben Sie das Elektrowerkzeug mit einem sauberen Tuch ab oder blasen Sie es mit Druckluft bei niedrigem Druck aus.
- Wir empfehlen, dass Sie das Elektrowerkzeug direkt nach jeder Benutzung reinigen.
- Reinigen Sie das Elektrowerkzeug regelmäßig mit einem feuchten Tuch und etwas Schmierseife. Verwenden Sie keine Reinigungs- oder Lösungsmittel; diese könnten die Kunststoffteile des Elektrowerkzeuges angreifen. Achten Sie darauf, dass kein Wasser in das Innere des Elektrowerkzeuges gelangen kann.

## TECHNISCHE DATEN

Drehzahl . . . . .	12000–19500 min <sup>-1</sup>
Durchmesser des Schleifkörpers. . . . .	Ø 76 mm
Gewinde der Aufnahmespindel. . . . .	M5
Gewicht. . . . .	0,68 kg
Schalldruckpegel L <sub>pA</sub> . . . . .	75,6 dB(A)
Unsicherheit K <sub>pA</sub> . . . . .	3 dB
Schalleistungspegel L <sub>WA</sub> . . . . .	85,6 dB(A)
Unsicherheit K <sub>WA</sub> . . . . .	3 dB
Hand-Arm-Vibration . . . . .	0,732 m/s <sup>2</sup>
Unsicherheit K . . . . .	1,5 m/s <sup>2</sup>

## ENTSORGUNG



*Entsorgen Sie Elektrowerkzeuge nicht über den Hausmüll.*

Das Elektrowerkzeug befindet sich in einer Verpackung, um Transportschäden zu verhindern. Diese Verpackung ist Rohstoff und ist somit wieder verwendbar oder kann dem Rohstoffkreislauf zurückgeführt werden. Das Elektrowerkzeug und dessen Zubehör bestehen aus verschiedenen Materialien, wie z.B. Metall und Kunststoffe. Führen Sie defekte Bauteile der Sondermüllentsorgung zu. Fragen Sie im Fachgeschäft oder in der Gemeindeverwaltung nach!

Das Produkt und das Benutzerhandbuch können geändert werden. Die technischen Daten können ohne Vorankündigung geändert werden.

### Batterien

Denken Sie bei der Entsorgung von Batterien an den Umweltschutz. Wenden Sie sich zwecks einer umweltfreundlichen Entsorgung an die lokalen Behörden.

## **EG-KONFORMITÄTSERKLÄRUNG**

---

Wir, die **Batavia B.V., Weth. Wassebalie-straat 6d, NL-7951 SN Staphorst**, erklären in alleiniger Verantwortung, dass das Produkt **Akku Winkelschleifer, Typ BT-CAG003, Artikel Nr. 7064219** den wesentlichen Schutzanforderungen genügt, die in den Europäischen Richtlinien **2014/30/EU** Elektromagnetische Verträglichkeit (EMV), **2006/42/EG** (Maschinen), **2011/65/EU** (RoHS) und deren Änderungen festgelegt sind. Für die Konformitätsbewertung wurden folgende harmonisierte Normen herangezogen:

**EN60745-1:2009/A11:2010**

**EN60745-2-3:2011/A13:2015**

**AfPS GS 2019:01 PAK**

**EK9-BE-91(V4):2020**

**EN IEC 55014-1:2021**

**EN IEC 55014-2:2021**

Staphorst, den 4. Februar 2022



Meino Seinen, Qualitätsbeauftragter  
Batavia B.V., Weth. Wassebaliestraat 6d,  
NL-7951SN Staphorst, Niederlande

## CHER CLIENT

Les manuels d'utilisation contiennent des consignes importantes pour la manipulation de votre nouveau produit. Ils vous permettent d'utiliser toutes les fonctions, d'éviter des erreurs de compréhension et de prévenir les dommages.

Veuillez prendre le temps de lire tranquillement ce manuel d'utilisation et conservez-le jalousement pour une consultation ultérieure.

## EXPLICATION DES SYMBOLES



**AVERTISSEMENT** : pour réduire les risques de blessures, veuillez lire le mode d'emploi.



Indique un risque de blessures, un danger mortel ou un risque d'endommagement de l'outil en cas de non-respect des consignes de ce mode d'emploi.



Risque de projection d'objets. Maintenez les spectateurs à l'écart de la zone de travail.



Portez en permanence une protection auditive. L'exposition au bruit peut provoquer des pertes d'audition.



Portez un masque antipoussière. Le travail du bois et d'autres matériaux peut générer des poussières nocives pour la santé. Les matériaux contenant de l'amiante ne doivent pas être utilisés.



Portez des lunettes de protection. Les étincelles provoquées par le travail ou les éclats, les copeaux et les poussières provenant de l'appareil électrique peuvent entraîner la perte de la vue.



Portez des gants de protection.



N'appuyez pas sur le bouton de blocage de l'axe lorsque le moteur fonctionne.



CE est l'abréviation de "Conformité Européenne", ce qui signifie "conforme aux directives de l'Union Européenne". Le fabricant confirme

par le marquage CE que cet appareil électrique correspond aux directives européennes en vigueur.



Ne jetez pas les équipements électriques avec les ordures ménagères.

## AVERTISSEMENTS DE SÉCURITÉ COMMUNS AUX OPÉRATIONS DE MEULAGE ET DE DÉCOUPAGE À L'ABRASIF :

- Cet outil électrique est destiné aux applications de meulage. Lisez tous les avertissements de sécurité, les instructions, les illustrations et les spécifications fournis avec cet outil électrique. Le non-respect des instructions suivantes peut entraîner une décharge électrique, un incendie et/ou des blessures graves.
- Il n'est pas recommandé d'utiliser cet outil électrique pour des opérations telles que le ponçage, le brossage à la brosse métallique et le polissage. L'utilisation de cet outil pour des opérations pour lesquelles il n'a pas été conçu peut créer un danger et entraîner des blessures.
- Utilisez uniquement les accessoires spécifiquement conçus et recommandés par le fabricant de l'outil. Le simple fait qu'un accessoire puisse être branché sur votre outil électrique ne garantit pas un fonctionnement sans risque.
- La vitesse nominale de l'accessoire doit être au moins égale à la vitesse maximale indiquée sur l'outil électrique. Les accessoires dont la vitesse de rotation est supérieure à leur vitesse nominale peuvent se casser et être projetés.
- Le diamètre extérieur et l'épaisseur de l'accessoire doivent correspondre à la capacité nominale de l'outil électrique. Un accessoire mal dimensionné ne peut pas être maintenu et contrôlé de manière adéquate.
- Le montage fileté d'accessoires doit être adapté au filet de l'arbre de la meuleuse. Pour les accessoires montés avec des flasques, l'alésage central de l'accessoire doit s'adapter correcte-

**ment au diamètre du flasque.** Les accessoires qui ne correspondent pas aux éléments de montage de l'outil électrique seront en déséquilibre, vibreront de manière excessive et pourront provoquer une perte de contrôle.

- g. **N'utilisez jamais un accessoire endommagé.** Avant chaque utilisation, inspectez les accessoires tels que les roues abrasives à la recherche de copeaux et de fissures, les plateaux porte-disque pour vérifier l'absence de fissures, de déchirures ou usure excessive, les brosses métalliques pour détecter des fils desserrés ou fissurés. En cas de chute de l'outil ou de l'accessoire, vérifiez l'absence de dommage ou installez un accessoire en bon état. Après l'inspection et l'installation d'un accessoire, placez-vous, ainsi que les spectateurs, à distance du plan de l'accessoire en rotation, et faites fonctionner l'outil à pleine puissance à vide pendant une minute. Normalement, les accessoires endommagés se brisent pendant ce test.
- h. **Portez un équipement de protection personnelle.** Selon l'application, utilisez un masque facial, des gants de protection ou des lunettes de sécurité. Le cas échéant, portez un masque anti-poussière, des protections auditives, des gants et un tablier d'atelier capable d'arrêter les particules abrasives et les fragments de pièce. La protection utilisée pour les yeux doit être capable d'arrêter les débris volants générés par diverses opérations. Le masque anti-poussière ou le respirateur doit être capable de filtrer les particules générées par votre opération. L'exposition prolongée à une intensité sonore élevée peut entraîner une perte auditive.
- i. **Tenez les spectateurs à une bonne distance de sécurité de la zone de travail.** Quiconque pénètre dans la zone de travail doit porter un équipement de protection personnelle. Les fragments de pièce ou d'un accessoire brisé peuvent voler et causer des dégâts au delà de la zone immédiate de l'opération.
- j. **Tenez toujours l'outil électrique par les surfaces de préhension isolées lorsque**

**vous effectuez une opération au cours de laquelle l'accessoire de coupe peut entrer en contact avec des câbles non apparents.** Tout contact de l'accessoire de coupe avec un fil «sous tension» peut conduire l'électricité aux pièces métalliques exposées de l'outil et exposer l'utilisateur à une décharge électrique.

- k. **Placez cordons loin de l'accessoire en rotation.** En cas de perte de contrôle, le cordon peut être coupé ou accroché et votre main ou votre bras risque d'être tiré(e) vers l'accessoire en rotation.
- l. **Ne posez jamais l'outil électrique tant que l'accessoire n'est pas complètement arrêté.** L'accessoire rotatif peut s'accrocher à la surface et provoquer une perte de contrôle de l'outil électrique.
- m. **Ne faites pas fonctionner l'outil électrique pendant que vous le transportez à côté de vous.** En cas de contact accidentel avec l'accessoire rotatif, ce dernier peut arracher vos vêtements et se planter dans votre corps.
- n. **Nettoyez régulièrement les ouvertures d'aération de l'outil électrique.** Le ventilateur du moteur attire la poussière à l'intérieur de l'outil et l'accumulation excessive de poudre de métal peut causer des dangers électriques.
- o. **Ne faites pas fonctionner l'outil électrique à proximité de matières inflammables.** Une étincelle pourrait enflammer ces matériaux.
- p. **N'utilisez aucun accessoire nécessitant un liquide de refroidissement.** L'utilisation d'eau ou d'autres liquides de refroidissement peut entraîner une électrocution ou une décharge électrique.

## REBOND ET AVERTISSEMENTS CORRESPONDANTS

Le rebond est la réaction soudaine à la suite d'accrochage ou de blocage de l'outil d'insertion en rotation, comme le meulage, ponçage, etc. attraper ou bloquer conduit à une utilisation brusque arrêt de l'outil rotatif. C'est un outil de puissance incontrôlée contre le sens de rotation de l'outil d'insertion pour mettre la vitesse de décrochage.

Si, par exemple, une meule ou de la pièce crochets bloqué, au bord de la meule, qui plonge dans la pièce, et pris par la meule de casser ou de causer un revers. La roue s'éloigne alors à l'opérateur ou loin de lui, imaginez le sens de rotation du disque au moment du décrochage. Ces roues peuvent aussi se briser.

Le rebond est le résultat d'une utilisation incorrecte ou défectueuse de l'outil électroportatif. Il peut en prenant les précautions nécessaires pour éviter que décrit ci-dessous.

- a. **Gardez l'outil d'alimentation fermement et apportez votre corps et vos bras dans une position où vous pouvez attraper les forces de recul. Toujours utiliser la poignée auxiliaire, s'il est disponible, afin d'avoir un contrôle maximum sur les forces de recul ou les moments de réaction pendant le démarrage.** L'opérateur peut vérifier en prenant les précautions nécessaires pour les forces de contrôle et de réaction.
- b. **N'apportez jamais vos mains dans les environs de rotation de bits de l'outil.** L'outil d'insertion peut se déplacer en échec sur vos mains.
- c. **Évitez d'utiliser votre corps pour la zone dans laquelle l'outil est déplacé dans un revers.** Le revers est le moteur de l'outil dans la direction opposée au mouvement de la meule de mettre le verrou.
- d. **Ils travaillent très bien dans la gamme des coins, des bords coupants, etc. Si vous utilisez des outils que le rebond de la pièce et de la confiture.** L'utilisation de l'outil en rotation a tendance à coins, des bords coupants, ou si elle rebondit, tend à se coincer. Cela entraîne une perte de contrôle ou de vérification.
- e. **Ne montez pas de chaîne, de lame de sculpture sur bois ou de lame de scie crantée sur l'outil.** Ces lames provoquent des rebonds fréquents et entraînent la perte de contrôle de l'outil.

## AVERTISSEMENTS DE SÉCURITÉ SPÉCIFIQUES AUX OPÉRATIONS DE MEULAGE ET DE DÉCOUPAGE À L'ABRASIF :

- a. **Utilisez uniquement approuvé pour votre abrasifs outil de puissance et outils de meulage prévu cette couverture.** Abrasifs qui ne sont pas fournis pour l'outil de pouvoir ne peut être adéquatement protégé et sont dangereux.
- b. **La surface de meulage des meules à moyeu déporté doit être montée sous le plan de la lèvres du protecteur.** Une meule montée de manière incorrecte qui dépasse du plan de la lèvres du protecteur ne peut pas être protégée de manière appropriée.
- c. **Toujours utiliser le cache de protection qui est prévue pour le type d'abrasif utilisé. Le gardien doit être solidement fixé sur l'outil de puissance et jeu à un maximum de sécurité est atteint, c'est à dire la plus petite portion possible de la montre abrasifs ouverte à l'opérateur.** Le capot de protection est de protéger l'opérateur des débris et les contacts accidentels avec le corps abrasif.
- d. **Les meules doivent être utilisées uniquement pour les applications recommandées. Par exemple : ne meulez pas avec le côté d'un disque de coupe.** Les meules abrasives sont destinées au meulage périphérique, l'application de forces latérales sur ces meules peut les briser en éclats.
- e. **Toujours utiliser le montage intact brides dans la bonne taille et la forme de votre méthode choisie de la meule.** Convient brides supportant la roue de meulage et de réduire le risque d'une rupture de la meule. Brides pour découper des disques peut différer de la bride aux autres roues.
- f. **Ne pas utiliser porté meules d'outils électriques plus.** Meules pour des outils de plus grande puissance ne sont pas conçus pour les vitesses plus élevées des outils électriques plus petits et peuvent se briser.

## AVERTISSEMENTS DE SÉCURITÉ ADDITIONNELS SPÉCIFIQUES AUX OPÉRATIONS DE DÉCOUPAGE À L'ABRASIF :



*Les opérations de tronçonnage requièrent un carter de protection spécial (13b) (non inclus).*

- a. **Évitez de bloquer la lame ou à haute pression. Ne pas trop coupures profondes faites.** Surcharge de la lame augmente leur stress et la susceptibilité au brouillage ou blocage, et donc la possibilité d'une fraction d'éjection ou d'abrasifs.
- b. **Ne vous placez pas dans l'alignement de la meule en rotation ni derrière celle-ci.** Lorsque la meule, au point de fonctionnement, s'éloigne de votre corps, le rebond éventuel peut propulser la meule en rotation ainsi que l'outil électrique directement sur vous.
- c. **Lorsque la meule coince, ou lorsque vous interrompez la coupe pour une raison quelconque, mettez l'outil électrique hors tension et maintenez-le immobile jusqu'à l'arrêt complet de la meule. Ne tentez jamais de retirer le disque de coupe de la pièce lorsque la meule est en mouvement car un rebond peut se produire.** Recherchez les causes du problème et prenez des mesures correctives afin d'empêcher que la meule ne se grippe.
- d. **Les meules doivent être utilisées uniquement pour les applications recommandées. Par exemple : ne meulez pas avec le côté d'un disque de coupe.** Les meules abrasives sont destinées au meulage périphérique, l'application de forces latérales sur ces meules peut les briser en éclats.
- e. **Toujours utiliser le montage intact brides dans la bonne taille et la forme de votre méthode choisie de la meule.** Convient brides supportant la roue de meulage et de réduire le risque d'une rupture de la meule. Brides pour découper des disques peut différer de la bride aux autres roues.
- f. **Ne pas utiliser porté meules d'outils électriques plus.** Meules pour des outils

de plus grande puissance ne sont pas conçus pour les vitesses plus élevées des outils électriques plus petits et peuvent se briser.

## RISQUES RÉSIDUELS

Même si vous utilisez cet appareil électrique conformément aux prescriptions, il existe toujours des risques résiduels. Les dangers suivants peuvent se présenter entre autres en liaison avec le type de construction et l'exécution de cet appareil électrique :

- Lésions des poumons si aucun masque anti-poussière adéquat n'est porté.
- Déficience auditive si aucun casque anti-bruit approprié n'est porté.
- Des préjudices pour la santé résultant des vibrations imposées à la main et au bras si l'on utilise l'appareil de manière prolongée, de manière non-conforme et en l'absence d'une maintenance correcte.
- Avertissement ! Cet appareil électrique produit un champ électromagnétique pendant son fonctionnement. Ce champ magnétique peut sous certaines conditions porter préjudice à des implants médicaux actifs ou passifs. Pour réduire le danger de blessures graves ou mortelles nous recommandons aux personnes portant des implants de consulter leur médecin et le fabricant de l'implant médical avant d'utiliser l'appareil électrique.

## UTILISATION PRÉVUE

Votre meuleuse d'angle a été conçue pour le meulage sans eau de la pierre, du béton, ainsi que de l'acier.

## AVANT LA PREMIÈRE UTILISATION

Retirez la meuleuse d'angle et les accessoires de l'emballage. Conservez l'emballage hors de la portée de petits enfants. Il existe un risque d'étouffement !

## MONTAGE



*Avant le montage, mettez toujours la machine hors tension et débrancher la batterie de la machine.*



*N'utilisez pas la meuleuse d'angle sans carter de protection.*

### Utilisation du disque abrasif

**Attention ! Avant de fixer ou de remplacer un disque abrasif, il faut absolument débrancher la fiche secteur et sécuriser le système contre une mise en marche accidentelle.**

La vitesse assignée de l'accessoire doit être au moins égale à la vitesse maximale indiquée sur l'outil électrique. Les accessoires fonctionnant plus vite que leur vitesse assignée peuvent se rompre et voler en éclat.

1. Bloquez l'arbre en appuyant sur le bouton de verrouillage de l'arbre **(4)**. Maintenez le bouton de verrouillage de l'arbre enfoncé.
2. Tournez manuellement l'arbre jusqu'à ce que l'arbre se ferme de façon perceptible.
3. Posez le disque abrasif **(5)** sur la bride intérieure.
4. Vissez la bride extérieure **(6)** sur la broche.
5. Tournez manuellement le disque abrasif pour vérifier qu'il est monté normalement et facilement accessible.
6. Faites un essai de fonctionnement (voir mise en service).
7. Pour changer le disque abrasif, procédez dans le sens inverse après que vous ayez desserré la bride extérieure à l'aide de la clé à ergot coudée. Nettoyez la bride extérieure et intérieure des résidus de ponçage avant chaque changement du disque abrasif.

### Réglage de la vitesse

L'outil est équipé d'une commande de vitesse variable avec 1+six réglages pour un ajustement précis de la vitesse. Réglez-le à la vitesse requise pour l'opération. La vitesse requise dépend du matériau et doit être déterminée par un essai pratique.

### Interrupteur marche/arrêt

1. Mise en marche
  - Poussez l'interrupteur marche/arrêt **(1)** vers la droite, puis vers l'avant de la tête

de l'outil. Appuyez sur la partie avant de celui-ci jusqu'à ce qu'il soit verrouillé. Vous pouvez alors relâcher l'interrupteur, il restera verrouillé pour une utilisation continue.

2. Arrêt
  - Appuyez sur l'arrière de l'interrupteur marche/arrêt **(1)** et déplacez-le vers l'arrière de l'outil pour l'éteindre.

### Tronçonnage

Maintenez un contact ferme avec la pièce à ouvrir afin d'éviter les vibrations, sans incliner ou appliquer de pression lors du tronçonnage. Appliquez une pression modérée adaptée au matériau sur lequel vous travaillez. Ne ralentissez pas les disques en appliquant une contre-pression latéralement. La direction dans laquelle vous voulez couper est importante. La machine doit toujours travailler dans le sens opposé à celui de la coupe; donc, ne déplacez jamais la machine dans l'autre sens ! La machine risque de se coincer au point de coupe en provoquant un rebond qui vous fera perdre le contrôle de l'outil.

### Conseils pour une utilisation optimale

- Serrez la pièce à ouvrir. Utilisez un dispositif de serrage pour les petites pièces.
- Maintenez la machine à deux mains.
- Mettez la machine en marche.
- Attendez que la machine atteigne son régime maximum.
- Placez le disque sur la pièce à ouvrir.
- Déplacez lentement la machine le long de la pièce à ouvrir, en appuyant le disque à meuler fermement contre la pièce.
- N'exercez pas de pression excessive sur la machine. Laissez la machine faire le travail.
- Éteignez la machine et attendez son immobilisation totale avant de la reposer.

## NETTOYAGE ET MAINTENANCE

### Nettoyage

- Les équipements de protection, les fentes de ventilation et le carter du moteur doivent rester aussi propres que possible, sans poussière ni salissures. Nettoyez l'appareil électrique avec un chiffon propre

ou en soufflant de l'air comprimé à faible pression.

- Nous conseillons de nettoyer l'appareil électrique immédiatement après chaque utilisation.
- Nettoyez régulièrement l'appareil électrique avec un chiffon humide et un peu de savon noir. N'utilisez ni détergents ni solvants ; ceux-ci pourraient attaquer les parties en plastique de l'appareil. Veillez à empêcher la pénétration d'eau à l'intérieur de l'appareil électrique.

### Maintenance

Il n'y a aucune autre pièce nécessitant un entretien à l'intérieur de l'appareil.

### FICHE TECHNIQUE

Vitesse à vide. . . . .	12000—19500 min <sup>-1</sup>
Diamètre du disque abrasif. . . . .	∅ 76 mm
Filetage d'arbre d'entraînement. . . . .	M5
Poids . . . . .	0,68 kg
Niveau de pression acoustique L <sub>pA</sub> . . . . .	75,6 dB(A)
Incertitude K <sub>pA</sub> . . . . .	3 dB
Niveau de puissance acoustique L <sub>WA</sub> . . . . .	85,6 dB(A)
Incertitude K <sub>WA</sub> . . . . .	3 dB
Niveau des vibrations. . . . .	0,732 m/s <sup>2</sup>
Incertitude K . . . . .	1,5 m/s <sup>2</sup>

### ÉLIMINATION ET RECYCLAGE



*N'éliminez pas les appareils électriques via les ordures ménagères.*

L'appareil électrique se trouve dans un emballage afin d'éviter tout dommage pendant le transport. Cet emballage est une matière première et peut donc être réutilisé ultérieurement ou être réintroduit dans le circuit des matières premières.

L'appareil électrique et ses accessoires sont composés de plusieurs matériaux, par exemple des métaux et des matières plastiques. Éliminez les composants défectueux via les systèmes d'élimination des déchets spéciaux. Renseignez-vous dans un magasin spécialisé ou auprès de l'administration de votre commune !

Le produit et le manuel utilisateur peuvent être modifiés. Les caractéristiques techniques peuvent être modifiés sans préavis.

### Batteries

Lors de l'élimination des batteries, pensez à la protection de l'environnement. Pour une élimination écologique, adressez-vous aux autorités locales.

### CE-DÉCLARATION DE CONFORMITÉ

Nous, **Batavia B.V., Weth. Wassebaliestraat 6d, NL-7951 SN Staphorst**, déclarons sous notre seule responsabilité que le produit **Meuleuse d'Angle sans Fil, Modèle BT-CAG003, N° d'article 7064219** satisfait les principales exigences de protection définies dans les directives européennes **compatibilité électromagnétique (CEM) 2014/30/EU, 2006/42/CE (machines), 2011/65/EU** ainsi que les modifications y apportées. Pour évaluer la conformité nous avons eu recours aux normes harmonisées ci-dessous :

**EN60745-1:2009/A11:2010**  
**EN60745-2-3:2011/A13:2015**  
**AfPS GS 2019:01 PAK**  
**EK9-BE-91(V4):2020**  
**EN IEC 55014-1:2021**  
**EN IEC 55014-2:2021**

Staphorst, le 4 février 2022

Meino Seinen, Responsable de qualité  
 Batavia B.V., Weth. Wassebaliestraat 6d,  
 7951 SN Staphorst, Pays-Bas

## GEACHTE KLANT

Gebruikshandleidingen verstrekken nuttige tips m.b.t. gebruik van uw nieuwe apparaat. Ze helpen u alle functies te gebruiken, misverstanden te voorkomen en beschadiging te vermijden.

Neem de tijd deze handleiding zorgvuldig te lezen en bewaar het als naslagwerk.

## UITLEG VAN DE SYMBOLEN

De volgende symbolen worden gebruikt in de gebruikershandleiding of op het product:



**WAARSCHUWING** – Lees de gebruiksaanwijzing om het risico op letsel te verminderen.



**Algemene waarschuwing** – Wees alert en let op algemene gevaren.



**Gevaar voor rondvliegende voorwerpen.** Houd omstanders uit de buurt van het werkgebied.



**Draag altijd gehoorbescherming.** Blootstelling aan lawaai kan leiden tot gehoorbeschadiging.



**Draag een stofmasker.** Bij het bewerken van hout en andere materialen kunnen schadelijke stoffen vrijkomen. Er mogen geen asbesthoudende materialen worden verwerkt!



**Draag een veiligheidsbril.** Vonken die tijdens het werk ontstaan, of van de machine afkomstige splinters, spaanders en stof kunnen leiden tot oogbeschadiging.



**Draag veiligheidshandschoenen.**



**Druk de asvergrendelingsknop niet in terwijl de motor draait.**



**CE staat voor: „Conformité Européenne”.** Dit betekent: „Voldoet aan EU-richtlijnen”. Met de CE-markering bevestigt de fabrikant dat deze machine voldoet aan de geldende Europese richtlijnen.



*De machine mag niet worden afgevoerd met het huishoudelijk afval.*

## VEILIGHEIDSWAARSCHUWINGEN DIE GELDEN VOOR ZOWEL SLIJPPWERKZAAMHEDEN ALS DOORSLIJPPWERKZAAMHEDEN:

- a. **Deze machine is bedoeld als een slijpmachine.** Raadpleeg alle bijgeleverde veiligheidswaarschuwingen, instructies, illustraties en specificaties. Als niet alle instructies hieronder worden nageleefd, kan dat een elektrische schok, brand en/of ernstig letsel tot gevolg hebben.
- b. **Deze machine is niet geschikt voor werkzaamheden als schuren, staalborstelen en polijsten.** Als met deze machine werkzaamheden worden uitgevoerd waarvoor de machine niet bedoeld is, kan dat leiden tot gevaren en lichamelijk letsel.
- c. **Gebruik geen accessoires die niet specifiek zijn ontworpen en aanbevolen door de fabrikant.** Het feit dat dergelijke accessoires op de machine passen, wil niet zeggen dat een veilige werking dan gegarandeerd is.
- d. **Het nominale toerental van het accessoire moet ten minste gelijk zijn aan het maximale toerental dat op de machine staat vermeld.** Accessoires die sneller worden aangedreven dan hun nominale toerental toestaat, kunnen breken en in het rond vliegen.
- e. **De buitendiameter en dikte van uw accessoire moeten binnen de nominale capaciteit van uw machine vallen.** Accessoires van een onjuiste grootte kunnen niet voldoende worden beschermd of geregeld.
- f. **Inzetgereedschappen met schroefdraadinzetstuk moeten nauwkeurig op de schroefdraad van de uitgaande as passen. De gatdiameter van met een flens gemonteerde inzetgereedschappen moet passen bij de opnamediameter van de flens.** Inzetgereedschappen die niet nauwkeurig op het elektrische gereedschap bevestigd worden, draaien

ongelijkmatig, trillen sterk en kunnen tot verlies van de controle leiden.

- g. Gebruik geen beschadigde accessoires. Controleer vóór elk gebruik accessoires zoals slijpschijven op afbrokkelingen en scheuren, steunschijven op scheuren, inkepingen en overmatige slijtage, staalborstels op losse of gescheurde draden. Als de machine of het accessoire valt, inspecteer deze dan op schade of monteer een onbeschadigd accessoire. Nadat u het accessoire hebt geïnspecteerd en gemonteerd, moet u uzelf en omstanders uit de lijn van het roterende accessoire plaatsen en de machine gedurende één minuut onbelast met een maximaal toerental laten draaien.** Beschadigde accessoires zullen normaliter breken tijdens deze testduur.
- h. Draag persoonlijke beschermingsmiddelen. Gebruik, afhankelijk van de toepassing, een gelaatscherm of veiligheidsbril. Draag al naargelang de omstandigheden een stofmasker, gehoorbescherming, handschoenen en een werkplaatsschort dat alle kleine slijp- en werkstukfragmenten kan tegenhouden.** De oogbescherming moet bescherming kunnen bieden tegen rondvliegende rommel die door diverse werkzaamheden ontstaat. Het stofmasker of ademtoestel moet in staat zijn om deeltjes te filteren die ontstaan door uw werkzaamheden. Langdurige blootstelling aan hard geluid kan uw gehoor beschadigen.
- i. Houd omstanders op veilige afstand van het werkgebied. Iedereen die het werkgebied betreedt, moet persoonlijke beschermingsmiddelen dragen.** Fragmenten van een werkstuk of een gebroken accessoire kunnen uit het werkgebied wegvliegen en letsel veroorzaken.
- j. Houd de machine alleen vast aan de geïsoleerde handgrepen, omdat het snijhulpstuk in contact kan komen met niet zichtbare bedrading of met een netsnoer.** Wanneer het snijhulpstuk een onder spanning staande kabel raakt, kunnen de metalen delen van de machine onder spanning komen te staan, waardoor

de gebruiker een elektrische schok kan krijgen.

- k. Houd netsnoeren uit de buurt van het draaiende accessoire.** Als u de controle verliest, wordt het snoer mogelijk doorgesneden of scheurt het, of raakt het verstrikt en kan uw hand of arm in het draaiende accessoire worden getrokken.
- l. Leg de machine nooit neer voordat het accessoire volledig tot stilstand is gekomen.** Als u dit nalaat, kan het draaiende accessoire het oppervlak aangrijpen waardoor u de controle verliest over de machine.
- m. Laat de machine niet ingeschakeld terwijl u deze aan uw zijde draagt.** Als u per ongeluk contact maakt met het draaiende accessoire, kan het verstrikt raken in uw kleding, waardoor het accessoire in uw lichaam wordt getrokken.
- n. Reinig de luchtgaten van de machine regelmatig.** De ventilator van de motor trekt de stof tot in de behuizing en bovenmatige opeenhoping van metaalpoeder kan elektrische gevaren veroorzaken.
- o. Gebruik de machine niet in de buurt van ontvlambare materialen.** Vonken kunnen deze materialen doen ontbranden.
- p. Gebruik geen accessoires die koelvloeistoffen vereisen.** Gebruik van water of andere koelvloeistoffen kan leiden tot elektrocutie of schokken.

---

## TERUGSLAG EN HIERAAN GERELATEERDE WAARSCHUWINGEN

---

Terugslag is een plotselinge reactie op een vastgelopen of vastgeklemd draaiende schijf, steunschijf, borstel of ander accessoire. Als het accessoire vastloopt of vastgeklemd raakt, komt het accessoire plots tot stilstand, wat op zijn beurt tot gevolg heeft dat de machine in de richting wordt geforceerd die tegengesteld is aan de rotatie van het accessoire op het contactpunt. Als een slijpschijf bijvoorbeeld in het werkstuk vastloopt of vastgeklemd raakt, kan de rand van de schijf die in het knelpunt vastraakt, zich ingraven in het oppervlak van het materiaal waardoor de schijf naar buiten klimt of springt. De schijf kan dan in de richting van de gebruiker of weg van de gebruiker springen, afhankelijk van de richting van de

schijfbeweging op het knelpunt. Slijpschijven kunnen onder deze omstandigheden ook afbreken. Terugslag ontstaat door onjuist gebruik van de machine en/of onjuiste gebruik-sprocedures/ -omstandigheden en kan worden vermeden door de voorzorgsmaatregelen hieronder te nemen.

- a. **Houd de machine stevig vast en plaats uw lichaam zodanig dat u de krachten die ontstaan bij terugslag kunt weerstaan. Gebruik altijd de hulpgreep, indien aanwezig, om maximale controle te houden over terugslag of koppelreactie bij opstarten.** De gebruiker kan koppelreacties of terugslagkrachten onder controle houden met de juiste voorzorgsmaatregelen.
- b. **Plaats uw hand nooit in de buurt van het draaiende accessoire.** Het accessoire kan terugslaan over uw hand.
- c. **Plaats uw lichaam niet in het gebied waarin de machine zal bewegen als er terugslag optreedt.** Bij terugslag zal de tool draaiend terugspringen in de richting die tegengesteld is aan de beweging van de schijf op het knelpunt.
- d. **Wees uiterst voorzichtig bij het gebruik van de machine bij hoeken, scherpe randen, etc. Voorkom dat de machine stuitert of vastgeklemd raakt.** Hoeken, scherpe randen of een terugspringende machine kunnen tot gevolg hebben dat het draaiende accessoire vastloopt waardoor u de controle verliest of er terugslag optreedt.
- e. **Bevestig geen houtbewerkingsbladen voor zaagkettingen of getande zaagbladen.** Dergelijke bladen veroorzaken vaak terugslag en verlies van controle over de machine.
- b. **Gebogen slijpschijven moeten zodanig gemonteerd worden dat hun slijpoppervlak niet boven de rand van de beschermkap uit steekt.** Een onjuist gemonteerde slijpschijf die over de rand van de slijpschijf uitsteekt, kan onvolledig afgeschermd worden.
- c. **De beschermkap moet stevig worden bevestigd op de machine en zo worden geplaatst dat de veiligheid maximaal is en de hoeveelheid schijf waaraan de gebruiker blootstaat, minimaal is.** De beschermkap helpt de gebruiker te beschermen tegen gebroken schijffragmenten, ongewild contact met de schijf en vonken die kleding kunnen doen ontbranden.
- d. **Schijven mogen alleen worden gebruikt voor de aanbevolen toepassing. Bij voorbeeld: niet slijpen met de zijkant van een doorslijpschijf.** Doorslijpschijven zijn bestemd voor omtrekslijpen; zijkrachten die op deze schijven worden toegepast kunnen tot gevolg hebben dat de schijf in stukken uiteenvalt.
- e. **Gebruik altijd onbeschadigde schijfflenzen van de juiste grootte en vorm voor uw geselecteerde schijf.** Juiste schijfflenzen ondersteunen de schijf waardoor het risico dat de schijf breekt wordt verkleind. Flenzen voor doorslijpschijven kunnen afwijken van flenzen voor slijpschijven.
- f. **Gebruik geen afgesleten schijven van grotere machines.** Schijven die zijn bestemd voor grotere machines zijn niet geschikt voor het hogere toerental van een kleinere tool en kunnen barsten.

#### **VEILIGHEIDSWAARSCHUWINGEN DIE SPECIFIEK GELDEN VOOR SLIJP- EN DOORSLIJPWERKZAAMHEDEN:**

- a. **Gebruik alleen schijftypes die worden aanbevolen voor uw machine en de specifieke beschermkap die is ontworpen voor de geselecteerde schijf.** Schijven waarvoor de machine niet ontworpen is, kunnen niet toereikend worden beschermd en zijn niet veilig.

#### **AANVULLENDE VEILIGHEIDSWAARSCHUWINGEN DIE SPECIFIEK ZIJN BESTEMD VOOR DOORSLIJPWERKZAAMHEDEN:**



*Doorslijpwerkzaamheden mogen alleen worden uitgevoerd met een speciale beschermkap (13b) (niet inbegrepen).*

- a. **Forceer de doorslijpschijf niet in het werkstuk en oefen niet te veel kracht uit. Maak geen te diepe snedes.** Door te veel spanning uit te oefenen op de schijf

raakt deze overbelast en wordt het risico groter dat de schijf in de snede vervormd raakt of vastloopt, waardoor terugslag of schijfbreuk kan optreden.

- b. Plaats uw lichaam niet op één lijn met en achter de draaiende schijf.** Wanneer de schijf zich van uw lichaam af beweegt op het werkpunt, worden door de mogelijke terugslag de draaiende schijf en de machine in uw richting getorpedeerd.
- c. Wanneer de schijf vastloopt of wanneer de snijbewerking om enige reden wordt onderbroken, schakel dan de machine uit en houd deze bewegingsloos vast totdat de schijf volledig tot stilstand is gekomen. Probeer de doorslijpschijf nooit uit de snede te verwijderen terwijl de schijf in beweging is. Anders kan terugslag optreden.** Onderzoek eerst waarom de schijf is vastgelopen en verhelp de oorzaak.
- d. Begin niet opnieuw met doorslijpen terwijl de machine in het werkstuk zit. Laat de schijf eerst op het maximale toerental komen en ga met de machine vervolgens opnieuw voorzichtig in de snede.** Als u de machine start terwijl deze in het werkstuk zit, kan de schijf vastgeklemd raken, naar boven lopen of terugslaan.
- e. Ondersteun panelen of grote werkstukken om het risico te verkleinen dat de schijf bekneld raakt en terugslag optreedt.** Grote werkstukken hebben de neiging om onder hun eigen gewicht in elkaar te zakken. Ondersteuning moet worden geplaatst onder het werkstuk bij de lijn van de snede en bij de rand van het werkstuk aan beide zijden van de schijf.
- f. Wees extra voorzichtig als u in bestaande muren of andere blinde gebieden een “binnengat” maakt.** De uitstekende schijf snijdt mogelijk door gas- of waterleidingen, elektrische bedrading of objecten waardoor terugslag kan optreden.

---

## OVERIGE RISICO'S

---

Er kunnen zich tijdens het gebruik van het gereedschap ook andere risico's voordoen die misschien niet in de bijgevoegde veiligheids-waarschuwingen worden vermeld. Deze risico's kunnen zich voordoen als gevolg van onoordeelkundig gebruik, langdurig gebruik, enz. Zelfs als de veiligheidsvoorschriften in acht worden genomen en de veiligheidsvoorzieningen worden geïmplementeerd, kunnen bepaalde risico's niet worden vermeden. Deze omvatten:

- Beschadiging van de longen bij werken zonder stofmasker.
- Beschadiging van het gehoor bij langdurig werken zonder gehoorbescherming.
- Gezondheidsschade die uit hand-arm-trillingen resulteert, wanneer het toestel over een langere periode wordt benut of niet regelmatig wordt schoongemaakt en onderhouden.
- Waarschuwing: Dit toestel produceert gedurende het bedrijf een elektromagnetisch veld. Dit veld kan al naar omstandigheden actieve of passieve medische implantanten belemmeren. Om het gevaar van ernstige verwondingen te reduceren, adviseren wij personen met medische implantaten hun arts en de fabrikant van het medische implantaat te consulteren, alvorens het toestel wordt bediend.

---

## BEOOGD GEBRUIK

---

Uw haakse slijper is ontworpen voor het slijpen van stenen en stalen materialen zonder gebruik van water.

---

## VOOR HET EERSTE GEBRUIK

---

Haal de machine en de accessoires uit de verpakking. Controleer de machine op transportschade en gebruik de machine niet in geval van schade. Houd het verpakkingsmateriaal uit de buurt van kinderen, risico op verstikking!

---

## MONTAGE

---



*Schakel vóór montage altijd de machine uit en verwijder de accu uit de machine.*



*Gebruik de machine niet zonder de beschermkap.*

### **Plaatsen van de slijpschijf**

**Let op!** Verwijder bij het inzetten of wisselen van een slijpschijf de accu uit de machine, om ongewild inschakelen te voorkomen.

Het nominale toerental van het accessoire moet ten minste gelijk zijn aan het maximale toerental dat op de machine staat vermeld. Accessoires die sneller worden aangedreven dan hun nominale toerental toestaat, kunnen breken en in het rond vliegen.

1. Blokkeer de as door het indrukken en ingedrukt houden van de vergrendelknop **(4)**.
2. Draai de as met de hand rond tot de as voelbaar vastklikt.
3. Leg de slijpschijf **(5)** op de binnenste flens.
4. Schroef de buitenste flens **(6)** op de as.
5. Draai ter controle van de juiste montage en vrijloop de slijpschijf met de hand rond.
6. Laat de machine proefdraaien.
7. Voer voor het wisselen van de slijpschijf de procedure uit in omgekeerde volgorde, nadat u de buitenste flens met de flensmoersleutel hebt losgedraaid. Ontdoe voor het wisselen van slijpschijven de binnenste en buitenste flens altijd van slijpresten.

### **Snelheidsinstelling**

Het gereedschap heeft een variabele snelheidsregeling met 1+six instellingen voor nauwkeurige instelling van de snelheid. Stel deze in op de voor het gebruik vereiste snelheid. De vereiste snelheid is afhankelijk van het materiaal en moet worden bepaald aan de hand van uitproberen.

### **Aan-/uitschakelaar**

1. Inschakelen
  - Schuif de Aan/Uit-schakelaar **(1)** naar rechts en dan naar voren. Druk het voorste deel ervan naar beneden tot het vergrendeld is. Daarna kunt u de schakelaar loslaten en deze is nu vergrendeld voor continu bedrijf.
2. Uitschakelen
  - Druk de achterkant van de aan/uitschakelaar **(1)** naar beneden en beweeg deze naar achteren om uit te schakelen.

### **Doorslijpen**

Houd stevig contact met het werkstuk om trillingen te voorkomen; kantel de machine niet en oefen geen druk uit terwijl u het werkstuk doorslijpt. Oefen tijdens het werk een gemiddelde druk uit die past bij het materiaal waaraan u werkt. Vertraag schijven niet door een zijwaartse tegendruk uit te oefenen. De richting waarin u wilt doorslijpen is belangrijk. De machine moet altijd tegen de richting van de snede in werken.

### **Aanwijzingen voor optimaal gebruik**

- Klem het werkstuk vast. Gebruik een kleminrichting voor kleine werkstukken.
- Teken een lijn om de richting te bepalen waarin de slijpschijf moet worden geleid.
- Houd de machine met beide handen vast.
- Schakel de machine in.
- Wacht totdat de machine volledig op snelheid is.
- Plaats de slijpschijf op het werkstuk.
- Beweeg de machine langs de vooraf getekende lijn, waarbij de slijpschijf stevig tegen het werkstuk wordt gedrukt.
- Oefen niet te veel druk uit op de machine. Laat de machine het werk doen.
- Schakel de machine uit en wacht totdat de machine volledig tot stilstand is gekomen voordat u de machine wegzet.

## **REINIGING EN ONDERHOUD**

### **Reiniging**

- Houd veiligheidsvoorzieningen, ventilatieopeningen en de behuizing van de motor zo goed mogelijk vrij van stof en vuil. Veeg de machine af met een schone doek of blaas hem uit met perslucht onder lage druk.
- Wij bevelen aan om de machine direct na ieder gebruik te reinigen.
- Reinig de machine regelmatig met een vochtige doek en een beetje zachte zeep. Gebruik geen reinigings- of oplosmiddelen; die kunnen de kunststof delen van de machine aantasten. Let erop dat er geen water in het binnenste van de machine kan komen.

**Onderhoud**

In het binnenwerk van de machine bevinden zich geen te onderhouden onderdelen.

**TECHNISCHE GEGEVENS:**

Onbelast toerental . . . . .	12000—19500 min <sup>-1</sup>
Diameter slijpschijf . . . . .	∅ 76 mm
Asdraad . . . . .	M5
Gewicht . . . . .	0,68 kg
Geluidsdrukniveau L <sub>PA</sub> . . . . .	75,6 dB(A)
Onzekerheid K <sub>PA</sub> . . . . .	3 dB
Geluidsvermogeniveau L <sub>WA</sub> . . . . .	85,6 dB(A)
Onzekerheid K <sub>WA</sub> . . . . .	3 dB
Hand Arm Vibratie . . . . .	0,732 m/s <sup>2</sup>
Onzekerheid K . . . . .	1,5 m/s <sup>2</sup>

**AFVALVERWERKING EN HERGEBRUIK**



*De machine mag niet worden afgevoerd met het huishoudelijk afval.*

De machine bevindt zich in een verpakking om transportschade te vermijden. Deze verpakking is grondstof en is dus herbruikbaar of kan weer in de grondstoffenkringloop teruggevoerd worden. De machine en zijn accessoires bestaan uit verschillende materialen, zoals bijv. metaal en kunststoffen. Voer defecte onderdelen af als gevaarlijke stoffen. Vraag bij de vakhandel of op het gemeentehuis om meer informatie!

Het product en de gebruiksaanwijzing kunnen wijzigen. De technische gegevens kunnen zonder voorafgaande aankondiging worden gewijzigd.

**Batterijen**

Denk bij het afvoeren van batterijen aan de bescherming van het milieu. Neem voor milieuvriendelijke afvoer contact op met de lokale overheid.

**EG-CONFORMITEITSVERKLARING**

Hiermee verklaren wij, **Batavia B.V., Wethouder Wassebaliestraat 6d, NL-7951 SN Staphorst**, dat het apparaat **Accu Haakse Slijper, Model BT-CAG003, Artikel Nr. 7064219** op grond van zijn ontwerp en bouwwijze en in de door ons in omloop gebrachte uitvoering voldoet aan de desbetreffend van toepassing zijnde fundamentele veiligheids- en gezondheidsvereisten van de EG-richtlijnen: **2006/42/EG (Machines); 2014/30/EU (Elektromagnetische compatibiliteit), 2011/65/EU**. Voor de evaluatie van de conformiteit zijn de volgende geharmoniseerde normen toegepast:

- EN60745-1:2009/A11:2010**
- EN60745-2-3:2011/A13:2015**
- AfPS GS 2019:01 PAK**
- EK9-BE-91(V4):2020**
- EN IEC 55014-1:2021**
- EN IEC 55014-2:2021**

Staphorst, 4 februari 2022

Technische documentatie bewaard door:  
 Meino Seinen, Batavia B.V.,  
 Weth. Wassebaliestraat 6d,  
 7951 SN Staphorst, , Nederland

## GENTILE CLIENTE

I manuali d'uso offrono validi suggerimenti per l'utilizzo del vostro nuovo dispositivo. Vi consento di utilizzare tutte le funzioni, e vi aiutano a evitare malintesi e a prevenire i danni. La invitiamo a dedicare del tempo alla lettura attenta di questo manuale e a conservarlo per futura consultazione.

## SPIEGAZIONE DEI SIMBOLI



*Avviso! Per ridurre il rischio di lesioni, l'utente deve leggere le istruzioni del presente manuale.*



*Indica rischio di lesioni personali, morte o danni all'apparecchio in caso di mancato rispetto delle istruzioni contenute nel presente manuale.*



*Rischio di espulsione di oggetti. Tenere gli astanti lontano dall'area di lavoro.*



*Indossare sempre un dispositivo di protezione acustica. Gli effetti del rumore possono causare la perdita dell'udito.*



*Indossare una maschera antipolvere. Quando si lavora con legno e altri materiali, possono essere generate polveri nocive. Non è consentito lavorare con materiali contenenti amianto!*



*Indossare occhiali di sicurezza. Quando si lavora con utensili elettrici, possono essere generati scintille, schegge, trucioli e particelle di polvere che possono causare la perdita della vista.*



*Indossare guanti di sicurezza.*



*Non premere il pulsante di blocco del mandrino quando il motore è in funzione.*



*CE è l'abbreviazione di Conformità Europea e ha il significato di "Ai sensi dei regolamenti dell'Unione Europea". Attraverso la marcatura CE, il produttore attesta che il presente utensile elettrico è*

*conforme alle direttive europee vigenti.*



*Non smaltire gli utensili elettrici con i normali rifiuti domestici.*

## COMUNI AVVERTENZE DI SICUREZZA PER OPERAZIONI DI MOLATURA O TAGLIO ABRASIVO:

- a. **Questo utensile elettrico è pensato per essere utilizzato per operazioni di molatura. Leggere e osservare tutte le avvertenze di sicurezza, le istruzioni, le illustrazioni e le specifiche fornite con l'utensile elettrico.** La mancata osservanza di tutte le istruzioni elencate di seguito può generare il rischio di scosse elettriche, incendio e/o gravi lesioni fisiche.
- b. **Si sconsiglia di eseguire operazioni quali la levigatura, la spazzolatura meccanica e la lucidatura con questo utensile elettrico.** L'uso dell'utensile elettrico per operazioni non espressamente indicate può creare situazioni pericolose e causare lesioni fisiche.
- c. **Non utilizzare accessori diversi da quelli espressamente indicati e raccomandati dal produttore.** Il semplice fatto che un accessorio possa essere fissato sull'utensile elettrico, non ne garantisce un funzionamento sicuro.
- d. **La velocità nominale dell'accessorio deve essere almeno uguale alla velocità massima indicata sull'utensile elettrico.** Se gli accessori vengono utilizzati ad una velocità superiore alla velocità nominale, possono rompersi e venire espulsi.
- e. **Il diametro esterno e lo spessore dell'accessorio devono essere compresi entro la capacità nominale dell'utensile.** Accessori di dimensioni non corrette non garantiscono una sicurezza e un controllo adeguati durante l'uso.
- f. **L'attacco filettato degli accessori deve corrispondere alla filettatura del mandrino della smerigliatrice. Se si utilizzano accessori con attacco flangiato, il foro sullo stelo dell'accessorio deve adattarsi al diametro del perno di posizionamento della flangia.** Accessori non adatti ai componenti di montaggio dell'u-

tensile elettrico potrebbero sbilanciarsi, vibrare eccessivamente e causare la perdita di controllo dell'utensile.

- g. Non utilizzare accessori rotti. Prima di ogni utilizzo, ispezionare l'accessorio per verificare che non ci siano trucioli e crepe sulle mole abrasive, che il plato-rellero non presenti crepe, strappi o segni di usura eccessiva e che la spazzola metallica non abbia fili allentati o incrinati. In caso di caduta dell'utensile elettronico o dell'accessorio, controllare che non vi siano danni, oppure installare un nuovo accessorio. Dopo l'ispezione e l'installazione dell'accessorio, assicurarsi di posizionarsi lontano, e chiedere agli astanti di allontanarsi, dal piano dell'accessorio rotante e di far funzionare l'utensile elettrico alla massima velocità a vuoto per un minuto. Normalmente, durante questo test, gli accessori rotti si staccano.**

- h. Indossare adeguati dispositivi di protezione individuale. A seconda dell'applicazione, utilizzare uno schermo facciale, una maschera di sicurezza o occhiali di sicurezza. A seconda dei casi, indossare una maschera antipolvere, dispositivi di protezione dell'udito, guanti e grembiule da lavoro in grado di proteggervi da piccoli frammenti abrasivi o da schegge del pezzo in lavorazione. Il dispositivo di protezione degli occhi deve essere in grado di proteggervi dai detriti volanti generati dalle varie operazioni. La maschera antipolvere o il dispositivo di protezione delle vie respiratorie devono essere in grado di filtrare le particelle generate dall'uso dell'utensile. L'esposizione prolungata ad un elevato livello di rumorosità può danneggiare l'udito.**

- i. Tenere gli astanti ad una distanza di sicurezza dall'area di lavoro. Chiunque acceda all'area di lavoro deve indossare adeguati dispositivi di protezione individuale. Frammenti del pezzo in lavorazione o di un accessorio rotto possono essere espulsi e causare lesioni anche al di fuori dell'immediata area di utilizzo.**
- j. Utilizzare l'utensile elettrico afferrando le superfici di presa isolate quando si eseguono operazioni in cui l'accessorio**

**di taglio può venire in contatto con cavi nascosti.** Se l'accessorio di taglio entra in contatto con un filo sotto tensione, può trasmettere tensione anche alle parti metalliche esposte dell'utensile elettrico, esponendo l'operatore al rischio di scosse elettriche.

- k. Tenere i cavi di alimentazione lontano dall'accessorio rotante.** Se si perde il controllo dell'utensile, il cavo può essere tagliato o rimanere impigliato e la mano o il braccio possono essere trascinati nell'accessorio che gira.
- l. Non posare mai l'utensile elettrico senza che l'accessorio si sia arrestato completamente.** L'accessorio rotante può muoversi sulla superficie, facendovi perdere il controllo dell'utensile elettrico.
- m. Non azionare l'utensile elettrico durante il trasporto.** In caso di contatto accidentale con l'accessorio rotante, i vestiti possono impigliarsi tirando l'accessorio verso di voi.
- n. Pulire regolarmente le prese di ventilazione dell'utensile elettrico.** La ventola del motore aspira la polvere all'interno dell'alloggiamento e un eccessivo accumulo di polvere di metallo può causare pericoli elettrici.
- o. Non utilizzare l'utensile elettrico in prossimità di materiali infiammabili.** Le scintille potrebbero generare l'accensione di tali materiali.
- p. Non utilizzare accessori che richiedono l'uso di refrigeranti liquidi.** L'uso di acqua o altri refrigeranti liquidi può generare il rischio di scosse elettriche.

## **RISCHIO DI CONTRACCOLPO E RELATIVE AVVERTENZE**

Il contraccolpo è la reazione improvvisa di un attrezzo incastrato o bloccato che continua a girare, come ad esempio un disco di molatura o levigatura o una spazzola metallica, ecc. Ciò causa l'arresto improvviso dell'accessorio rotante e porta l'utensile elettrico a ruotare nella direzione opposta a quella dell'accessorio.

Se, ad esempio, un disco di taglio si blocca o si incastra nel pezzo in lavorazione, il bordo del disco può rompersi all'interno del pezzo e causare un violento contraccolpo. Il disco si allonta-

nerà o si avvicinerà all'operatore, a seconda del senso di rotazione nel punto di bloccaggio. Ciò può frantumare il disco.

Il contraccolpo è causato da un uso errato o inadeguato dell'utensile e può essere evitato seguendo i consigli di sicurezza che seguono.

- a. **Tenere saldamente l'utensile elettrico con entrambe le mani e assumere una posizione che consenta di compensare un eventuale contraccolpo. Se presente, utilizzare l'impugnatura accessoria in modo da controllare meglio il contraccolpo e il contromovimento del motore in funzione.** Adottando le necessarie precauzioni, l'operatore può controllare tutte le forze di contraccolpo e contromovimento.
- b. **Tenere le mani lontane dall'accessorio rotante.** Un eventuale contraccolpo può lanciare l'accessorio contro le mani.
- c. **Tenere il corpo fuori dall'area in cui l'utensile può essere lanciato in caso di contraccolpo.** L'utensile viene lanciato nella direzione opposta a quella del disco nel punto di bloccaggio.
- d. **Fare molta attenzione quando si lavora su bordi o angoli taglienti. Assicurarsi che l'accessorio non possa bloccarsi o rimbalzare all'indietro dal pezzo in lavorazione.** I dischi rotanti tendono a bloccarsi o a rimbalzare dai bordi e dagli angoli. Ciò può causare un contraccolpo o la perdita di controllo dell'utensile.
- e. **Non fissare una lama per sega a catena per l'intaglio del legno o una lama dentata.** Queste lame creano frequenti contraccolpi e causano la perdita di controllo dell'utensile.

#### **AVVERTENZE DI SICUREZZA SPECIFICHE PER LE OPERAZIONI DI MOLATURA E TAGLIO ABRASIVO:**

- a. **Utilizzare solo i dischi previsti per l'uso con l'utensile elettrico e l'apposito cappuccio di protezione per questi dischi.** I dischi non previsti per l'uso con l'utensile elettrico non possono essere coperti in modo adeguato e non sono sicuri.
- b. **La superficie di smerigliatura delle mole a centro depresso deve essere montata sotto al piano del labbro di protezione.**

Una mola montata in modo inadeguato che sporge attraverso il piano del labbro di protezione non può essere protetta adeguatamente.

- c. **Utilizzare sempre il cappuccio di protezione previsto per il tipo di accessorio che si sta utilizzando. Il cappuccio di protezione deve essere fissato saldamente e regolato in modo da ottenere la massima sicurezza possibile, ad es. la parte più piccola dell'accessorio rotante rivolta verso l'operatore è libera.** Il cappuccio di protezione ha lo scopo di proteggere l'operatore da detriti volanti, frammenti di un disco rotto e dal contatto accidentale con l'attrezzo.
- d. **Usare i dischi solo per lo scopo a cui sono destinati dal produttore. Non usare mai il lato di un disco di taglio per smerigliare.** I dischi di taglio servono unicamente per tagliare. Le forze laterali possono causarne la rottura.
- e. **Usare sempre flange non danneggiate della dimensione e della forma corrette in base al disco di taglio.** Le flange corrette sostengono il disco e riducono il rischio di frattura. Le flange dei dischi di taglio possono essere diverse da quelle dei dischi di molatura.
- f. **Non usare dischi consumati di utensili elettrici più grandi.** Questi non sono adatti alle velocità elevate degli utensili elettrici più piccoli e possono rompersi.

#### **ULTERIORI AVVERTENZE DI SICUREZZA PER LE OPERAZIONI DI TAGLIO ABRASIVO:**



*Le operazioni di taglio devono essere eseguite con una protezione speciale (non fornita in dotazione).*

- a. **Evitare di bloccare il disco e non esercitare una pressione eccessiva. Non provare ad eseguire tagli troppo profondi.** Carichi eccessivi sul disco di taglio aumentano lo stress e lo rendono più incline a incepparsi o bloccarsi, aumentando il rischio di possibili contraccolpi o rotture.
- b. **Non posizionatevi con il corpo in linea e dietro alla mola rotante.** Se, durante il funzionamento, la mola si allontana dal

corpo, il possibile contraccolpo può spingere la mola rotante e l'utensile elettrico direttamente verso di voi.

- c. Quando la ruota si blocca o quando si interrompe un taglio per qualsiasi motivo, spegnere l'utensile elettrico e mantenerlo immobile fino a quando la mola si arresta completamente. Non provare mai a rimuovere il disco di taglio mentre è in movimento, altrimenti può verificarsi un contraccolpo.** Controllare e intraprendere l'azione correttiva necessaria per eliminare la causa del blocco della mola.
- d. Usare i dischi solo per lo scopo a cui sono destinati dal produttore. Non usare mai il lato di un disco di taglio per smerigliare.** I dischi di taglio servono unicamente per tagliare. Le forze laterali possono causarne la rottura.
- e. Usare sempre flange non danneggiate della dimensione e della forma corrette in base al disco di taglio.** Le flange corrette sostengono il disco e riducono il rischio di frattura. Le flange dei dischi di taglio possono essere diverse da quelle dei dischi di molatura.
- f. Non usare dischi consumati di utensili elettrici più grandi.** Questi non sono adatti alle velocità elevate degli utensili elettrici più piccoli e possono rompersi.

## RISCHI RESIDUI

Anche quando si utilizza questo utensile elettrico correttamente, rimangono rischi residui. I seguenti rischi possono sorgere in relazione alla costruzione e applicazione di utensili elettrici, tra le altre cose:

- Danni ai polmoni, se non si utilizza una maschera di protezione antipolvere adeguata.
- Danni all'udito, se non si usa un'adeguata protezione per le orecchie.
- Danni alla salute derivante da vibrazioni mano-braccio se l'utensile elettrico viene utilizzato per un lungo periodo di tempo, o viene usato o gestito erroneamente.
- Avviso! Questi utensili elettrici producono un campo elettromagnetico durante il funzionamento. In determinate circostanze,

questo campo può compromettere il funzionamento di impianti medici attivi o passivi. Al fine di ridurre il rischio di lesioni gravi o mortali, si raccomanda che le persone con protesi mediche consultino il proprio medico e il produttore del impianto medico prima di utilizzare l'utensile elettrico.

## DESTINAZIONE D'USO

La smerigliatrice angolare è stata pensata per smerigliare materiali in muratura e in acciaio senza l'uso di acqua.

## DISIMBALLAGGIO DELL'UTENSILE

Rimuovere la smerigliatrice angolare e gli accessori dalla confezione. Tenere il materiale di imballaggio lontano dai bambini piccoli. Vi è il rischio di soffocamento.

## MONTAGGIO



*Prima del montaggio, spegnere sempre l'utensile e rimuovere la batteria.*



*Non usare mai la smerigliatrice angolare senza il coperchio di protezione.*

## Inserimento del disco di molatura

**Attenzione! Scollegare sempre la batteria prima di inserire e sostituire un disco di molatura, per evitarne l'attivazione non intenzionale.**

La velocità nominale dell'accessorio deve essere almeno uguale alla velocità massima indicata sull'utensile elettrico. Se gli accessori vengono utilizzati ad una velocità superiore alla velocità nominale, possono rompersi e venire espulsi.

1. Bloccare il mandrino premendo la manopola di blocco **(4)**. Tenere premuta la manopola di blocco.
2. Ruotare il mandrino manualmente fino a quando si blocca in posizione.
3. Posizionare il disco di molatura **(5)** sulla flangia interna.
4. Avvitare la flangia esterna **(6)** sul mandrino.
5. Fare ruotare il disco di molatura manualmente, per verificare che sia installato cor-

rettamente e che possa muoversi facilmente.

6. Eseguire un test di funzionamento (vedere la sezione Avviamento).
7. Per sostituire il disco di molatura, procedere nell'ordine inverso dopo aver allentato la flangia esterna utilizzando la chiave a settore. Prima di sostituire il disco di molatura, pulire ogni volta la flangia esterna e le flange interne per rimuovere i residui di molatura.

### Regolazione della velocità

L'utensile ha un comando della velocità variabile con 1+sei impostazioni per una regolazione precisa della velocità. Impostarlo sulla velocità necessaria per la lavorazione. La velocità richiesta dipende dal materiale e deve essere determinata mediante una prova pratica.

### Grilletto di accensione/spengimento

1. Accensione
  - Spostare l'interruttore di accensione/spengimento **(1)** verso destra, quindi in avanti fino alla testina dell'utensile. Premere la parte anteriore del pulsante verso il basso finché non si blocca. Quindi rilasciare l'interruttore; si bloccherà per un uso continuo.
2. Spengimento
  - Spingere verso il basso la parte posteriore dell'interruttore di accensione/spengimento **(1)**, quindi spostarlo all'indietro verso il retro dell'utensile per spegnerlo.

### Taglio

Mantenere un contatto saldo con il pezzo in lavorazione, per evitare vibrazioni e non inclinare o applicare pressione durante il taglio. Durante il lavoro, esercitare una pressione moderata, adeguata al materiale del pezzo in lavorazione. Non rallentare i dischi applicando una contropressione sui lati. La direzione di taglio è importante.

L'unità deve sempre funzionare nella direzione opposta alla direzione di taglio; pertanto, non muovere l'unità nella direzione contraria. Vi è il rischio che la macchina si blocchi durante il taglio, causando un contraccolpo e la perdita di controllo dell'utensile.

### Consigli per un uso ottimale

- Fissare il pezzo da lavorare. Utilizzare un dispositivo di bloccaggio per i pezzi più piccoli.
- Tenere l'unità con entrambe le mani.
- Accendere l'unità.
- Attendere che raggiunga la massima velocità.
- Posizionare il disco sul pezzo dal lavorare.
- Muovere lentamente l'unità sul pezzo da lavorare, premendo saldamente il disco sul pezzo.
- Non esercitare una pressione eccessiva sull'unità. Lasciare che sia l'unità ad eseguire il lavoro, senza forzare.
- Spegner l'unità e attendere che si arresti completamente prima di posarla.

### MANUTENZIONE E PULIZIA

**AVVERTENZA:** scollegare sempre il dispositivo dall'alimentazione elettrica prima di procedere a operazioni di pulizia/manutenzione del carica-batterie. Rimuovere la batteria prima di procedere a operazioni di pulizia/manutenzione dell'utensile.

#### Manutenzione

Non sono presenti parti interne dell'utensile che richiedono manutenzione.

#### Pulizia

- Tenere i dispositivi di sicurezza, aperture di ventilazione e la carcassa del motore il più possibile liberi da sporco e polvere. Strofinare l'utensile elettrico con un panno pulito o soffiare su di esso con aria compressa a bassa pressione.
- Si consiglia di pulire l'utensile elettrico immediatamente dopo l'uso.
- Pulire l'utensile elettrico regolarmente con un panno umido e un sapone delicato. Non utilizzare materiali di pulizia o solventi, questi possono attaccare i componenti in plastica del dispositivo. Assicurarsi che l'acqua non possa entrare all'interno dell'utensile elettrico.

**DATI TECNICI**

Velocità . . . . .	12000—19500 min <sup>-1</sup>
Diametro del disco di molatura . . . . .	∅ 76 mm
Filetto dell'albero motore . . . . .	M5
Peso . . . . .	0,68 kg
Livello di pressione sonora L <sub>pA</sub> . . . . .	75,6 dB(A)
Incertezza K <sub>pA</sub> . . . . .	3 dB
Livello di potenza sonora L <sub>WA</sub> . . . . .	85,6 dB(A)
Incertezza K <sub>WA</sub> . . . . .	3 dB
Vibrazione mano - braccio . . . . .	0,732 m/s <sup>2</sup>
Incertezza K . . . . .	1,5 m/s <sup>2</sup>

**SMALTIMENTO**

*Non smaltire gli utensili elettrici con i normali rifiuti domestici.*

L'utensile elettrico viene spedito in una confezione per ridurre i danni dovuti al trasporto. Questo imballaggio è una materia prima e come tale può o essere riutilizzata o può essere reimpressa nel ciclo delle materie prime. L'utensile elettrico e i relativi accessori sono realizzati in vari materiali come metalli e plastiche. Portare i componenti difettosi a un punto di raccolta dei rifiuti. Chiedete informazioni su questi punti di raccolta al vostro negozio specializzato o Comune. Il prodotto e il manuale utente possono essere soggetti a modifiche. I dati tecnici possono essere modificati senza preavviso.

**Batterie**

Smaltire le batterie rispettando le norme di protezione ambientale. Contattare le autorità locali per sapere dove si trova il centro di smaltimento batterie più vicino. Non smaltire le batterie con i rifiuti domestici. Non smaltire le batterie bruciandole, altrimenti potrebbero esplodere.

**DICHIARAZIONE DI CONFORMITÀ CE**

Noi sottoscritti **Batavia B.V., Weth. Wassebaliestraat 6d, NL-7951 SN Staphorst** dichiara, sotto la sua piena responsabilità, che la **smerigliatrice angolare senza fili, modello BT-CAG003, numero articolo 7064219** soddisfa i requisiti essenziali definiti nella Direttiva Europea sulla Compatibilità Elettromagnetica **2014/30/UE** (CEM), la Direttiva **2006/42/CE** (Direttiva Macchine), la Direttiva **2011/65/UE** (RoHS) e relativi emendamenti. Per la valutazione di conformità, sono stati consultati i seguenti standard armonizzati europei:

**EN60745-1:2009/A11:2010**

**EN60745-2-3:2011/A13:2015**

**AfPS GS 2019:01 PAK**

**EK9-BE-91(V4):2020**

**EN IEC 55014-1:2021**

**EN IEC 55014-2:2021**

Staphorst, 4 febbraio 2022

Meino Seinen, Rappresentante QA  
Batavia B.V., Weth. Wassebaliestraat 6d,  
7951 SN Staphorst, Paesi Bassi

**ESTIMADO CLIENTE:**

Los manuales de instrucciones proporcionan valiosos consejos para usar su nuevo dispositivo. Le permiten usar todas las funciones y le ayudan a evitar malentendidos y daños. Por razones de seguridad, lea detenidamente este manual y consérvelo para consultas posteriores.



*No deseche las herramientas eléctricas junto a los residuos domésticos.*

**EXPLICACIÓN DE LOS SÍMBOLOS**

*¡Advertencia! Lea el manual de instrucciones para reducir el riesgo de lesiones personales.*



*Indica el riesgo de lesiones personales, muerte o daño de la herramienta en caso de no observar las instrucciones recogidas en este manual.*



*Riesgo de objetos proyectados. Mantenga a los transeúntes alejados del área de trabajo.*



*Siempre utilice protectores auditivos. La exposición al ruido puede causar pérdida de la audición.*



*Utilice una mascarilla antipolvo. Al trabajar con madera y otros materiales, es posible que se genere polvo perjudicial. ¡No está permitido trabajar con materiales que contengan asbesto!*



*Utilice gafas de seguridad. Al trabajar con herramientas eléctricas, se pueden generar chispas, astillas y partículas de polvo que pueden causar la pérdida de la visión.*



*¡Utilice guantes de seguridad!*



*No presione el botón de bloqueo del husillo con el motor en funcionamiento.*



*El marcado CE (siglas de Conformidad Europea) es indicativo de que se cumple con las normativas de la UE. Con el marcado CE, el fabricante confirma que esta herramienta eléctrica cumple con las directivas europeas aplicables.*

**ADVERTENCIAS DE SEGURIDAD COMUNES EN LAS OPERACIONES DE DESBASTE Y CORTE ABRASIVO:**

- a. Esta herramienta eléctrica ha sido diseñada para funcionar como una amoladora. Lea todas las advertencias de seguridad y las instrucciones, y consulte las ilustraciones y las especificaciones que se suministran con esta herramienta eléctrica. El incumplimiento de las instrucciones que se enumeran a continuación puede dar lugar a descargar eléctricas, incendios y lesiones personales graves.
- b. No se recomienda usar esta herramienta eléctrica en trabajos de lijado, cepillado con alambre y abrillantado. El uso de la herramienta para llevar a cabo trabajos para los que no ha sido diseñada puede entrañar riesgos y dar lugar a lesiones personales.
- c. No utilice accesorios que no hayan sido diseñados y recomendados específicamente por el fabricante de la herramienta. El hecho de que un accesorio se pueda acoplar a su herramienta eléctrica no garantiza una operación segura.
- d. La velocidad nominal del accesorio debe ser al menos igual a la velocidad máxima indicada en la herramienta eléctrica. Si un accesorio funciona a una velocidad mayor a la nominal, puede romperse y proyectar trozos al aire.
- e. El diámetro exterior y el grosor de su accesorio no deben superar el valor límite de capacidad de la herramienta eléctrica. Los accesorios de tamaño incorrecto no pueden ser protegidos ni controlados adecuadamente.
- f. La rosca de montaje de los accesorios debe coincidir con la rosca del husillo de la amoladora. En el caso del montaje de accesorios por bridas, el agujero de la rueda del accesorio debe ajustarse al diámetro de posicionado de la brida. Los accesorios no compatibles con el herraje de montaje de la herramienta eléc-

trica funcionarán desequilibrados, vibrarán excesivamente e, incluso, podrían dar lugar a una pérdida de control.

- g. **No utilice accesorios dañados. Antes de cada uso, inspeccione los accesorios como los discos abrasivos para localizar astillas y grietas; en el caso de los discos de goma de apoyo, inspeccione si hay grietas, desgaste o desgaste excesivo, y en caso de los discos de alambres, revise si hay alambres sueltos o agrietados. Si la herramienta eléctrica llegara a caerse, inspecciónela para descartar cualquier daño e instale un accesorio sin daños si fuera necesario. Tras inspeccionar e instalar un accesorio, ajéjese y aleje a los transeúntes del plano de rotación del accesorio y opere la herramienta eléctrica a velocidad máxima, sin carga, durante un minuto. Por lo general, los accesorios dañados se rompen durante este periodo de prueba.**
- h. **Utilice equipos de protección personal. En función del tipo de trabajo, utilice protector facial o gafas de seguridad abiertas o con montura integral. De ser necesario, utilice una mascarilla anti-polvo, protectores auditivos, guantes y delantal de taller capaces de detener fragmentos de piezas de trabajo o pequeñas partículas abrasivas. La protección ocular debe ser capaz de detener los restos proyectados provenientes de las diversas operaciones. La mascarilla anti-polvo o el respirador debe ser capaz de filtrar las partículas generadas por la operación. La exposición prolongada a ruidos de alta intensidad puede causar pérdidas auditivas.**
- i. **Mantenga a los transeúntes a una distancia segura del área de trabajo. Cualquiera que entre en el área de trabajo debe usar un equipo de protección individual.** Los fragmentos de las piezas de trabajo o un accesorio roto pueden salir proyectados y causar lesiones personales más allá del área inmediata donde se realiza el trabajo.
- j. **Sostenga la herramienta eléctrica por las superficies de agarre con aislamiento cuando pueda entrar en contacto con cables ocultos mientras se**

**usa.** Si el accesorio de corte entra en contacto con un hilo conductor puede dar lugar a que las piezas de metal expuestas de la herramienta eléctrica también conduzcan electricidad y ocasionen una descarga eléctrica al usuario.

- k. **Coloque los cables de alimentación alejados del accesorio giratorio.** Si pierde el control, el cable podría cortarse o engancharse, arrastrando su mano o brazo hacia el accesorio giratorio.
- l. **Nunca apoye la herramienta hasta que el accesorio se haya detenido completamente.** El accesorio giratorio podría engancharse en la superficie haciendo que la herramienta funcione incontroladamente.
- m. **No ponga en funcionamiento la herramienta eléctrica mientras la lleva consigo.** El contacto accidental con el accesorio giratorio podría enganchar la ropa, tirando del accesorio hacia su cuerpo.
- n. **Limpie las rejillas de ventilación de la herramienta eléctrica con regularidad.** El ventilador del motor arrastra el polvo al interior de la carcasa y la acumulación excesiva de metal en polvo puede entrañar un riesgo eléctrico.
- o. **No opere la herramienta eléctrica cerca de materiales inflamables.** Las chispas generadas podrían encender estos materiales.
- p. **No utilice accesorios que requieran refrigerantes líquidos.** El uso de agua o refrigerantes líquidos puede dar lugar a una electrocución.

## **REBOTE Y ADVERTENCIAS RELACIONADAS**

El rebote es la reacción repentina de un accesorio giratorio cuando se queda encajado o se bloquea, por ejemplo, un disco de desbaste, un disco de lijar, un disco de alambres, etc. Esto hace que el accesorio giratorio se detenga repentinamente, lo que fuerza la herramienta eléctrica en dirección contraria a la rotación del accesorio.

Si, por ejemplo, un disco de corte se bloquea o atasca en la pieza de trabajo, el borde del disco podría fracturarse en el interior de la pieza de trabajo y causar un rebote violento. Entonces el

disco se alejará o acercará al usuario en función de la dirección de rotación en el punto de bloqueo. Esto también podría destrozar el disco.

El rebote se debe por un uso incorrecto o inapropiado de la herramienta y se puede evitar observando el siguiente consejo de seguridad.

- a. **Sostenga la herramienta eléctrica firmemente con ambas manos y asuma una posición con la que pueda compensar el rebote. Si ocurre, use la empuñadura del accesorio para controlar el rebote y el contramovimiento del motor en funcionamiento.** Con las precauciones necesarias, el usuario puede controlar todas las fuerzas originadas por el rebote y el contramovimiento.
- b. **Mantenga sus manos alejadas del accesorio giratorio.** Un rebote puede lanzar el accesorio contra su mano.
- c. **Mantenga su cuerpo alejado del área en la que la herramienta pueda ser lanzada por un rebote.** La herramienta es lanzada en la dirección inversa a la dirección del disco en el punto de bloqueo.
- d. **Tenga mucho cuidado al trabajar alrededor de bordes o esquinas puntiagudas. Asegúrese de que el accesorio no pueda quedarse encajado en la pieza de trabajo ni que rebote desde esta.** Los discos giratorios tienden a encajarse en los bordes y las esquinas o rebotar desde estos. Esto puede causar rebotes o pérdidas de control.
- e. **No coloque una hoja de sierra de cadena para tallar madera ni una hoja de sierra dentada.** Tales hojas crean rebotes y pérdidas de control frecuentes.

#### **ADVERTENCIAS DE SEGURIDAD ESPECÍFICAS EN LAS OPERACIONES DE DESBASTE Y CORTE ABRASIVO:**

- a. **Utilice únicamente discos autorizados para su herramienta eléctrica y el deflector protector autorizado para dichos discos.** Los discos no autorizados para la herramienta eléctrica no se pueden cubrir de la forma debida, por lo que no son seguros.
- b. **La superficie de desbaste de los discos centrales hundidos se debe montar por**

**debajo del plano del borde de la protección.** No es posible proteger adecuadamente un disco montado incorrectamente que sobresalga del plano del borde de la protección.

- c. **Siempre utilice el deflector de protección previsto para el tipo de accesorio que esté utilizando.** El deflector de protección debe estar bien asegurado y ajustarse de tal manera que se consiga el mayor grado posible de seguridad, es decir, lo ideal es que prácticamente todo el accesorio giratorio esté cubierto por el deflector de protección. El deflector de protección tiene como propósito proteger al usuario de restos y fragmentos de un disco fracturado proyectados al aire, y evitar el contacto accidental con el accesorio.
- d. **Utilice los discos únicamente para el propósito para el que se han fabricado. Nunca utilice un lado de un disco de corte para esmerilar.** Los discos de corte están diseñados únicamente para cortar. Las fuerzas laterales pueden causar fracturas.
- e. **Siempre utilice bridas intactas del tamaño y forma correctos correspondientes a su disco de corte.** Las bridas correctas sostienen el disco y reducen el riesgo de fractura del disco. Las bridas para los discos de corte pueden ser diferentes a los de los discos de desbaste.
- f. **No utilice discos desgastados de herramientas eléctricas más grandes.** Dichos discos no han sido diseñados para las velocidades más altas de las herramientas eléctricas más pequeñas, por lo que podrían fracturarse.

#### **ADVERTENCIAS DE SEGURIDAD ESPECÍFICAS EN LAS OPERACIONES DE CORTE ABRASIVO:**



*Las operaciones de corte solo deben realizarse si se cuenta con una protección especial (no incluida).*

- a. **Evite que el disco quede encajado y no ejerza una presión excesiva. No intente realizar cortes demasiado profundos.** Las cargas excesivas sobre un disco de corte aumentan el estrés y lo hacen más

propenso a atascarse y encajarse, aumentando también el riesgo de rebote por fractura.

- b. **No coloque su cuerpo en línea y detrás del disco en rotación.** Cuando el disco, en el punto de la operación, se aleja de su cuerpo, el posible rebote puede impulsar el disco giratorio y la herramienta eléctrica directamente hacia usted.
- c. **Si el disco se atasca o el corte se interrumpe por cualquier motivo, apague la herramienta eléctrica y sostenga la herramienta sin moverla hasta que se detenga por completo. Nunca intente sacar el disco de corte del corte mientras esté en movimiento para evitar un posible rebote.** Investigue y corrija la causa del atasco del disco.
- d. **Utilice los discos únicamente para el propósito para el que se han fabricado. Nunca utilice un lado de un disco de corte para esmerilar.** Los discos de corte están diseñados únicamente para cortar. Las fuerzas laterales pueden causar fracturas.
- e. **Siempre utilice bridas intactas del tamaño y forma correctos correspondientes a su disco de corte.** Las bridas correctas sostienen el disco y reducen el riesgo de fractura del disco. Las bridas para los discos de corte pueden ser diferentes a los de los discos de desbaste.
- f. **No utilice discos desgastados de herramientas eléctricas más grandes.** Dichos discos no han sido diseñados para las velocidades más altas de las herramientas eléctricas más pequeñas, por lo que podrían fracturarse.

## RIESGOS RESIDUALES

Siempre existe un riesgo residual, incluso aunque utilice correctamente la herramienta eléctrica. El uso de las herramientas eléctricas entraña ciertos peligros, por ejemplo:

- Daños pulmonares si no se usa una mascarilla antipolvo.
- Daños auditivos si no se usan protectores para los oídos.
- Daños a la salud resultantes de las vibraciones transmitidas al sistema mano-brazo

cuando la herramienta eléctrica se utiliza durante periodos prolongados o no se utiliza ni mantiene adecuadamente.

- ¡Advertencia! Estas herramientas eléctricas producen campos electromagnéticos durante su funcionamiento. En ciertas circunstancias, dichos campos magnéticos pueden perjudicar el funcionamiento de los implantes médicos, tanto activos como pasivos. Con miras a reducir el riesgo de lesiones personales graves o fatales, recomendamos que las personas con implantes médicos consulten con su médico y el fabricante de dichos implantes antes de utilizar la herramienta eléctrica.

## USO PREVISTO

La amoladora angular ha sido diseñada para esmerilar mampostería y materiales de acero sin utilizar agua.

## DESEMBALAJE DE LA HERRAMIENTA

Retire la amoladora angular y los accesorios del empaque. Mantenga el material de empaque fuera del alcance de los niños. ¡Dicho material entraña el riesgo de asfixia!

## MONTAJE



*Antes de proceder al montaje, es imperativo apagar la máquina y retirar la batería.*



*Nunca utilice la amoladora de ángulo sin la cubierta protectora.*

## Colocación del disco de desbaste

**¡Atención! Siempre desconecte la batería antes de colocar o reemplazar un disco de desbaste para evitar una activación accidental.**

La velocidad nominal del accesorio debe ser al menos igual a la velocidad máxima indicada en la herramienta eléctrica. Si un accesorio funciona a una velocidad mayor a la nominal, puede romperse y proyectar trozos al aire.

1. Bloquee el husillo pulsando el botón de bloqueo **(4)**. Mantenga pulsado el botón de bloqueo.
2. Gire el husillo a mano hasta que notoriamente encaje en posición.

3. Coloque el disco de desbaste **(5)** sobre la brida interna.
4. Atornille la brida externa **(6)** al husillo.
5. Gire el disco de desbaste con la mano para comprobar que se ha colocado bien y que se mueve con facilidad.
6. Realice una operación de prueba (consulte la sección «Puesta en marcha»).
7. Para cambiar el disco de desbaste, vaya en orden inverso tras haber aflojado la brida externa usando la llave de espigas. Antes de cambiar el disco de desbaste, limpie la brida externa y las bridas internas de los residuos propios del desbaste.

### Ajuste de la velocidad

La herramienta cuenta con un control de velocidad variable (1+6) para un ajuste de velocidad preciso. Establezca la velocidad necesaria de la herramienta para cada uso específico. La velocidad necesaria depende del material y debe determinarse mediante una prueba práctica.

### Interruptor de gatillo

1. Encendido
  - Mueva el interruptor de gatillo **(1)** hacia la derecha y luego hacia el cabezal de la herramienta. Pulse la parte delantera hacia abajo hasta que se quede enganchado. A continuación, si suelta el interruptor, este quedará bloqueado para poder usar la herramienta de forma continuada.
2. Apagado
  - Pulse hacia abajo la parte trasera del interruptor de gatillo **(1)** y muévelo hacia atrás hasta la parte trasera de la herramienta para apagarla.

### Corte

Mantenga un contacto firme con la pieza de trabajo para evitar vibraciones y no incline ni presione la herramienta mientras corta. Al usar la herramienta, ejerza una presión moderada y apropiada en función del material en el que trabaja. No ralentice los discos aplicando una contrapresión lateral. La dirección en la que desea cortar es importante.

La máquina siempre debe trabajar en contra de la dirección del corte; ¡así pues, nunca la mueva en la otra dirección! Existe el riesgo de que la máquina se enganche en el corte, causando un rebote que le puede hacer perder el control.

### Consejos para un uso óptimo

- Sujete la pieza de trabajo. Utilice un dispositivo de sujeción para las piezas de trabajo pequeñas.
- Sostenga la máquina con ambas manos.
- Encienda la máquina.
- Espere hasta que la máquina alcance la velocidad máxima.
- Coloque el disco sobre la pieza de trabajo.
- Lentamente, mueva la máquina a lo largo de la pieza de trabajo, presionando firmemente el disco contra la pieza de trabajo.
- No aplique demasiada presión sobre la máquina. Deje que sea la máquina la que haga el trabajo.
- Apague la máquina y espere a que se detenga completamente antes de apoyarla o repararla.

### MANTENIMIENTO Y LIMPIEZA

**ADVERTENCIA:** Antes de proceder a cualquier tarea de mantenimiento o limpieza del cargador, desconéctelo de la red eléctrica. Retire la batería antes de realizar cualquier tarea de mantenimiento o limpieza de la herramienta.

#### Mantenimiento

Ninguna parte interna de la herramienta requiere mantenimiento.

#### Limpieza

- Mantenga los dispositivos de seguridad, las aberturas de ventilación y la carcasa del motor en el mejor estado de limpieza posible, esto es, deben estar libres de sucio y polvo. Para ello, utilice aire comprimido a baja presión y un paño limpio.
- Le recomendamos limpiar su herramienta eléctrica inmediatamente después de cada uso.
- Limpie la herramienta eléctrica regularmente con un paño humedecido con agua jabonosa (utilice únicamente detergentes suaves). No utilice disolventes ni productos de limpieza, ya que pueden atacar las partes de plástico del aparato. Asegúrese de que el agua no penetre en el interior de la herramienta.

**DATOS TÉCNICOS**

Velocidad . . . . .	12000—19500 min <sup>-1</sup>
Diámetro (Ø) del disco de desbaste . . . . .	Ø 76 mm
Rosca del eje de transmisión . . . . .	M5
Peso . . . . .	0,68 kg
Nivel de presión sonora (L <sub>PA</sub> ) . . . . .	75,6 dB(A)
Incertidumbre (K <sub>PA</sub> ) . . . . .	3 dB
Nivel de potencia acústica (L <sub>WA</sub> ) . . . . .	85,6 dB(A)
Incertidumbre (K <sub>WA</sub> ) . . . . .	3 dB
Vibración transmitida al sistema mano-brazo . . . . .	0,732 m/s <sup>2</sup>
Incertidumbre K . . . . .	1,5 m/s <sup>2</sup>

**ELIMINACIÓN**

*No deseche las herramientas eléctricas junto a los residuos domésticos.*

El embalaje en el que se envía esta herramienta reduce los daños debidos al transporte. El material de embalaje en cuestión es una materia prima que se puede reutilizar o reciclar. La herramienta eléctrica y sus accesorios están fabricados con diferentes materiales como metales y plástico. Lleve los componentes defectuosos a un punto de recogida de residuos especiales. Puede consultar con el vendedor o su ayuntamiento al respecto. Tanto el producto como el manual de usuario están sujetos a cambios. Los datos técnicos pueden cambiar sin previo aviso.

**Baterías**

Piense en el medioambiente al desechar las baterías. Póngase en contacto con las autoridades locales para saber dónde se encuentra el punto de recogida mas cercano para este tipo de residuos. No deseche las baterías junto a los residuos domésticos. No elimine las baterías quemándolas, ya que esto entraña un riesgo de explosión.

**DECLARACIÓN CE DE CONFORMIDAD**

Nosotros, **Batavia B.V., con domicilio social en Weth. Wassebaliestraat 6d, NL-7951 SN Staphorst**, declaramos bajo nuestra propia responsabilidad que la **amoladora de ángulo inalámbrica, modelo BT-CAG003, n.º de artículo 7064219**, cumple con los requisitos básicos recogidos en la Directiva **2014/30/EU** del Parlamento Europeo y del Consejo en materia de compatibilidad electromagnética (EMC), la Directiva **2006/42/CE** relativa a las máquinas y la Directiva **2011/65/EU** sobre restricciones a la utilización de determinadas sustancias peligrosas en aparatos eléctricos y electrónicos (también conocida como RoHS) y sus enmiendas. Para la evaluación del cumplimiento normativo se consultaron las siguientes normas armonizadas: **EN60745-1:2009/A11:2010**  
**EN60745-2-3:2011/A13:2015**  
**AfPS GS 2019:01 PAK**  
**EK9-BE-91(V4):2020**  
**EN IEC 55014-1:2021**  
**EN IEC 55014-2:2021**

Staphorst, 4 de febrero de 2022

Meino Seinen, representante de Aseguramiento de la Calidad de Batavia B.V., Weth. Wassebaliestraat 6d, 7951 SN Staphorst, Países Bajos





# BATAVIA

## 2 YEAR WARRANTY

### **This product has got a 2 year warranty**

Dear Client, if for any reason this product is not working, please ensure you contact our Client Service Centre. Ensure you have your original receipt of purchase. This warranty covers all defects in workmanship or materials in this Batavia product for a two year period from the date of purchase. The warranty does not cover any malfunction, or defect resulting from misuse, neglect, alteration, or repair.

### **Dieses Produkt hat 2 Jahre Garantie**

Sehr geehrter Kunde, unsere Produkte unterliegen einer strengen Qualitätskontrolle. Sollte dieses Gerät nicht einwandfrei sein, so wenden Sie sich bitte immer zuerst an unseren Kunden-Service. Bitte bewahren Sie unbedingt den Kaufbeleg auf. Die Garantieleistung gilt nur für Material- oder Fabrikationsfehler. Ausgeschlossen sind Mängel die durch häufigen Gebrauch, missbräuchlicher und unsachgemäßer Behandlung oder Gewalteinwirkung verursacht worden sind.

### **Ce produit a 2 ans de garantie**

Cher client, Si pour une raison quelconque, ce produit ne fonctionne pas, veuillez contacter notre Centre de service après-vente. Conservez le bon d'achat original. Cette garantie couvre tous les défauts de matériau et de main d'œuvre constatés sur ce produit Batavia pendant une période de deux ans à compter de la date d'achat. Les défauts de fonctionnement et autres résultant d'abus ou de mauvais emploi, de négligence, de modifications ou réparations non autorisées sont exclus de la garantie.

### **Dit product heeft 2 jaar garantie**


Geachte klant, onze producten ondergaan een streng kwaliteitscontrole proces. Wanneer dit product niet correct functioneert, wend u zich alstublieft altijd eerst tot onze klantenservice. Bewaar altijd uw aankoopbewijs. De garantieservice is alleen van toepassing op materiaal- of productiefouten. Uitgesloten zijn gebreken veroorzaakt door intensief gebruik, misbruik en incorrecte behandeling of extern geweld.

**Europe / Europa / L'Europe / أوروبا**

**Customer Service / Kunden-Service / Service clientèle /  
Klantenservice / Servizio clienti / Servicio de atención al cliente /  
Serviço ao cliente / Obsługa klienta / عملاء عمال**

 [service@batavia.eu](mailto:service@batavia.eu)

Monday till Friday / Lundi jusqu'à Vendredi / Maandag t/m vrijdag /  
Dal lunedì al venerdì / De lunes a viernes / Segunda a sexta-  
feira / Od poniedziałku do piątku / من الإثنين إلى السبت / 08.00 – 17.00

 (DE) **0800 664 7740**

 (EUR) **00800 664 774 00**



[www.bataviapower.com](http://www.bataviapower.com)

# BATAVIA

## 2 YEAR WARRANTY

### Questo prodotto è garantito per 2 anni

Gentile Cliente, se per una qualche ragione il prodotto non funziona, La invitiamo a mettersi in contatto con il nostro Centro Assistenza Clienti. Si accerti di avere la ricevuta originale dell'acquisto. La garanzia copre tutti i difetti di fabbricazione o di materiale in questo prodotto Batavia per un periodo di 2 anni dalla data di acquisto. La garanzia non copre malfunzionamenti o difetti derivanti da uso inappropriato, improprio, da modifiche o riparazioni.

### Este producto tiene dos años de garantía

Estimado cliente: si por cualquier razón este producto no funciona, póngase en contacto con nuestro Centro de Atención al Cliente. Asegúrese de tener a mano la factura de compra original. Esta garantía cubre todos los defectos de mano de obra o materiales de este producto de Batavia por un período de dos años a partir de la fecha de compra. La garantía no cubre ningún mal funcionamiento o defectos resultantes del mal uso, negligencia, alteración o reparación.

### Este produto tem uma garantia de 2 anos

Estimado Cliente, se, por qualquer motivo, este produto não estiver a funcionar devidamente, contacte o nosso Centro de Apoio ao Cliente. Certifique-se de que possui a prova de compra original. Esta garantia cobre todos os defeitos de fabrico ou materiais do produto Batavia durante um período de dois anos, a contar da data de compra. A garantia não cobre quaisquer avarias ou defeitos resultantes de um uso indevido, negligência, modificações ou reparações.

### Produkt posiada 2-letnią gwarancję.

Szanowny Kliencie! Jeśli z jakiegokolwiek powodu niniejszy produkt nie działa, prosimy skontaktować się z naszym [Centrum obsługi serwisowej](#). Upewnij się, że posiadasz oryginalny dowód zakupu. Niniejsza gwarancja obejmuje wszystkie wady produkcyjne i materiałowe w produktach Batavia przez okres dwóch lat od daty zakupu. Gwarancja nie obejmuje żadnych usterek lub uszkodzeń wynikających z nieprawidłowego użycia, zaniedbania, modyfikacji lub naprawy.

Europe / Europa / L'Europe / أوروبا

Customer Service / Kunden-Service / Service clientèle /  
Klantenservice / Servizio clienti / Servicio de atención al cliente /  
Serviço ao cliente / Obsługa klienta / عملاء خدمة العملاء

✉ [service@batavia.eu](mailto:service@batavia.eu)

Monday till Friday / Lundi jusqu'à Vendredi / Maandag t/m vrijdag /  
Dal lunedì al venerdì / De lunes a viernes / Segunda a sexta-  
feira / Od poniedziałku do piątku / من الإثنين إلى الجمعة

08.00 – 17.00

☎ (DE) 0800 664 7740

☎ (EUR) 00800 664 774 00



[www.bataviapower.com](http://www.bataviapower.com)